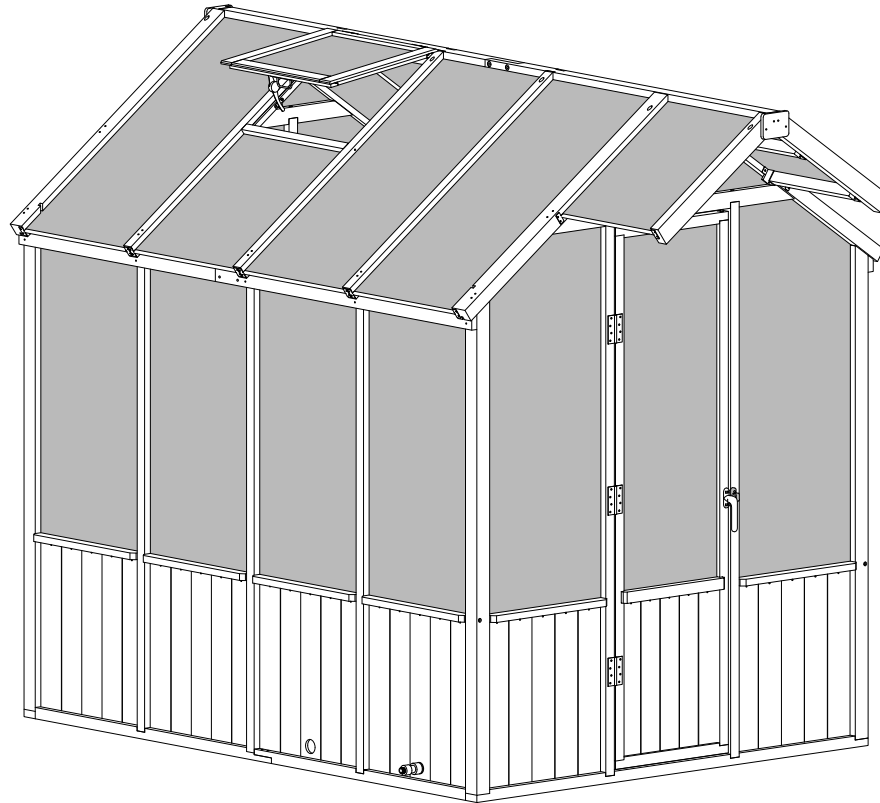


**MODEL:IG10600177-658**



OWNER'S MANUAL

## 6.5'x8'x8' EverBloom Cedar Wood Greenhouse

### TABLE OF CONTENTS

ASSEMBLY GUIDE.....	02
USING YOUR PRODUCT.....	04

February 7, 2026

### QUESTIONS?



E-mail: [support@modernshade.org](mailto:support@modernshade.org)



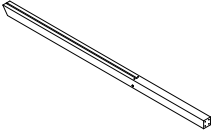
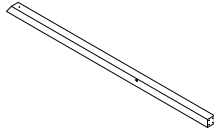
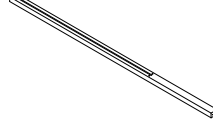
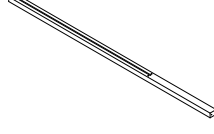
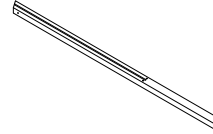
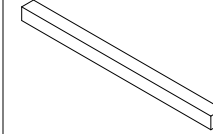
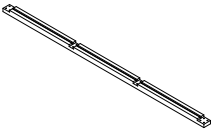
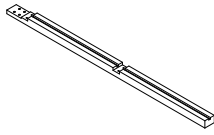
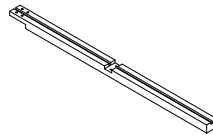
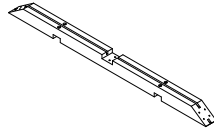
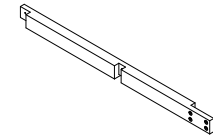
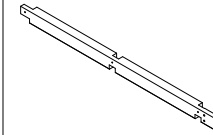
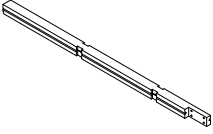
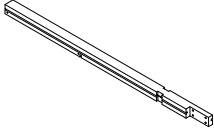
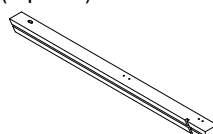
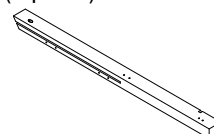
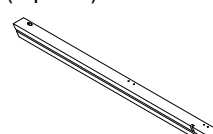
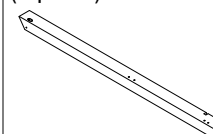
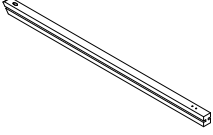
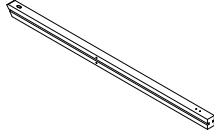
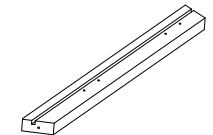
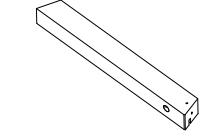

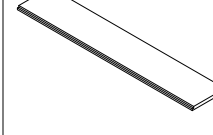
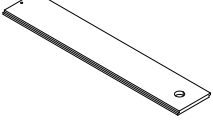
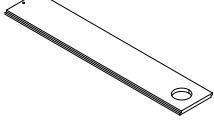
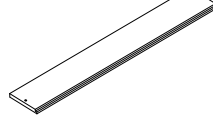
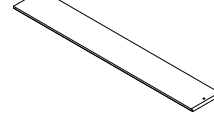
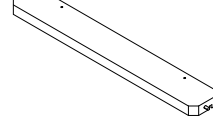
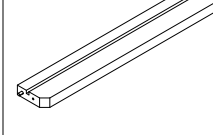
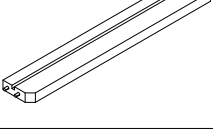
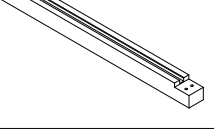
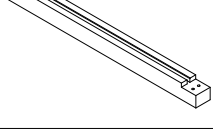
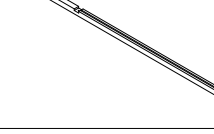
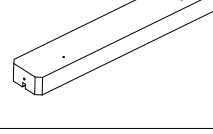
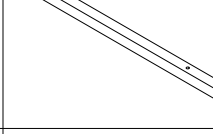
Toll Free Number: 1-888-666-3070



Mon-Fri: 9:00 AM - 5:00 PM PST.

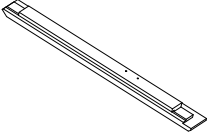
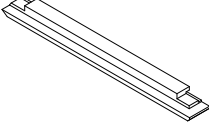
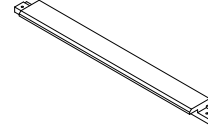
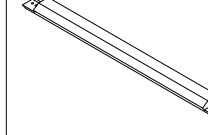
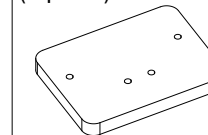
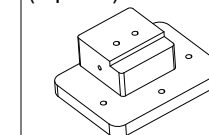
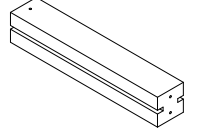
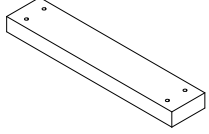
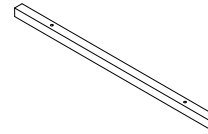
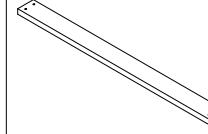
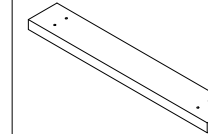
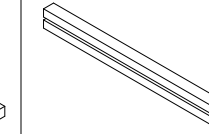
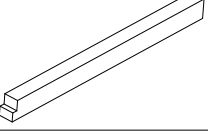
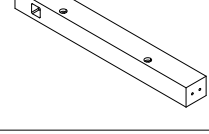
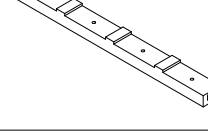
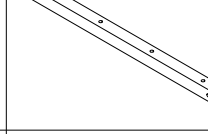
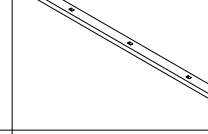
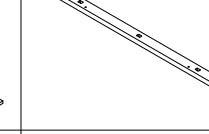
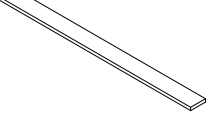
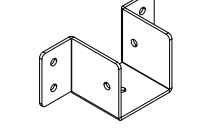
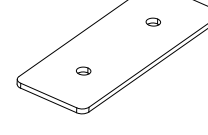
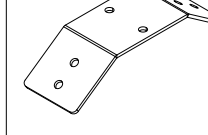
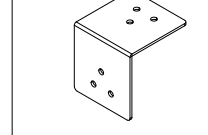
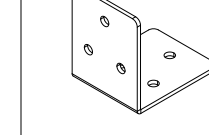
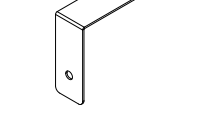
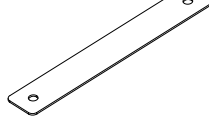
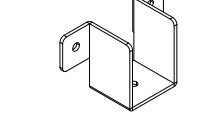
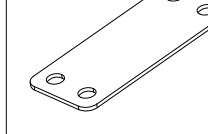
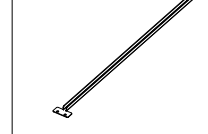
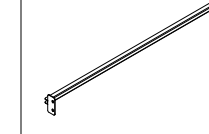
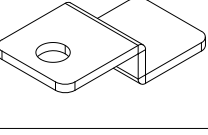
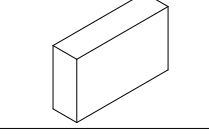
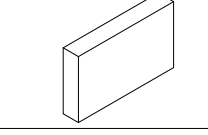
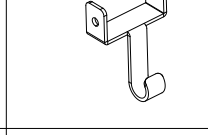
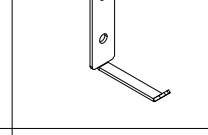
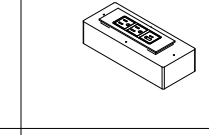
# ASSEMBLY GUIDE

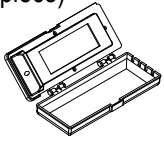
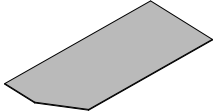
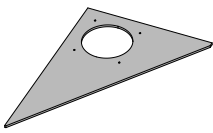
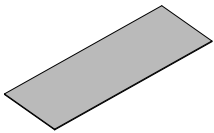
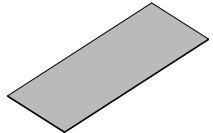
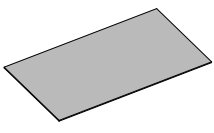
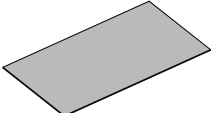
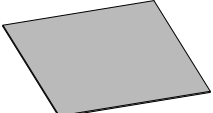
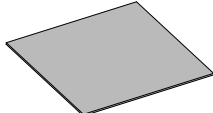
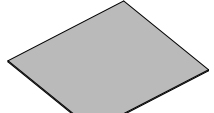
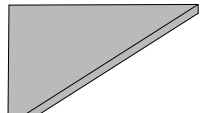
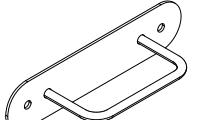

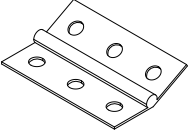
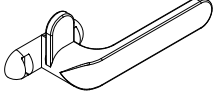
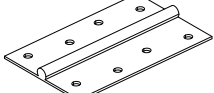
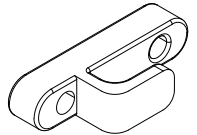
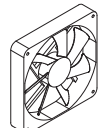
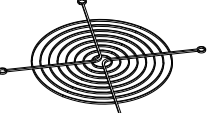
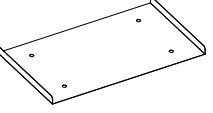
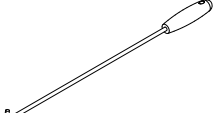
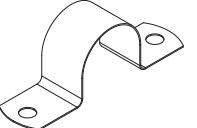
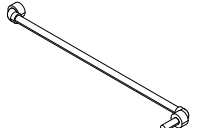
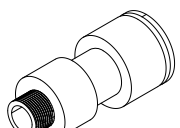

## PARTS LIST

<b>A1</b> Post 1 (2 pieces) 	<b>A2</b> Post 2 (2 pieces) 	<b>A3</b> Post 3 (2 piece) 	<b>A4</b> Post 4 (2 pieces) 	<b>A5</b> Post 5 (6 pieces) 	<b>A6</b> Post 6 (4 pieces) 
P0010010001	P0010010101	P0010010201	P0010010301	P0010010401	P0010010501
<b>B1</b> Ground Beam 1 (2 pieces) 	<b>B6</b> Ground Beam 6 (2 pieces) 	<b>B7</b> Ground Beam 7 (2 pieces) 	<b>C1</b> Cross Beam 1 (2 pieces) 	<b>C6</b> Cross Beam 6 (2 pieces) 	<b>C7</b> Cross Beam 7 (2 piece) 
P0040022401	P0040027201	P0040027301	P0040022701	P0040027401	P0040027501
<b>D3</b> Roof Rib 3 (1 piece) 	<b>D4</b> Roof Rib 4 (1 piece) 	<b>E1</b> Middle Cross Beam 1 (1 piece) 	<b>E2</b> Middle Cross Beam 2 (1 piece) 	<b>E3</b> Middle Cross Beam 3 (1 piece) 	<b>E4</b> Middle Cross Beam 4 (1 piece) 
P0090019801	P0090023601	P0050010501	P0050010601	P0050010701	P0050010801
<b>E5</b> Herringbone Support 5 (4 pieces) 	<b>E6</b> Herringbone Support 6 (2 pieces) 	<b>E7</b> Herringbone beam 7 (1 piece) 	<b>E8</b> Herringbone beam 8 (1 piece) 	<b>F1</b> Wooden panels 1 (26 pieces) 	<b>F2</b> Wooden panels 2 (37 pieces) 
P0050010901	P0050011001	P0050011101	P0050011201	P0150004301	P0150004401
<b>F3</b> Wooden panels 3 (1 piece) 	<b>F4</b> Wooden panels 4 (1 piece) 	<b>F5</b> Wooden panels 5 (2 piece) 	<b>F6</b> Wooden panels 6 (3 pieces) 	<b>G1</b> Window Ledge 1 (9 pieces) 	<b>G2</b> Window Ledge 2 (2 pieces) 
P0150004501	P0150004601	P0150004701	P0150004801	P0150004901	P0150005001
<b>G3</b> Window Ledge 3 (2 pieces) 	<b>H1</b> Door Frame 1 (1 piece) 	<b>H2</b> Door Frame 2 (1 piece) 	<b>H3</b> Door Frame 3 (2 pieces) 	<b>H4</b> Door Frame 4 (1 piece) 	<b>H5</b> Door Frame 5 (1 piece) 
P0150005101	P0270000101	P0270000201	P0270000301	P0270000401	P0270000501

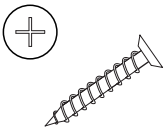
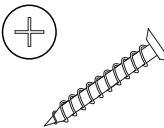
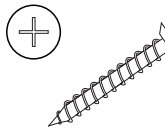
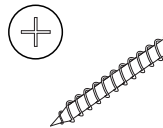
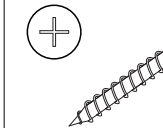
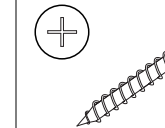
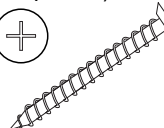
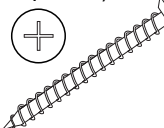
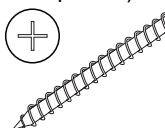
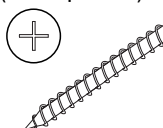
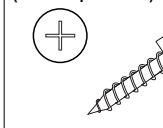
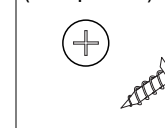
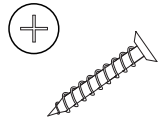
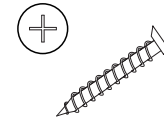
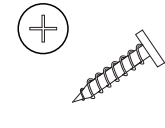
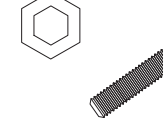
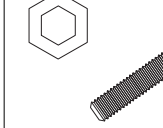
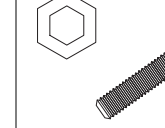
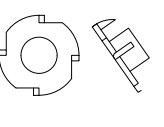
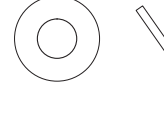
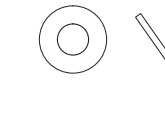
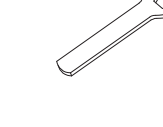
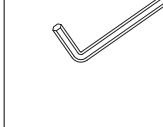
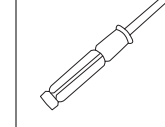
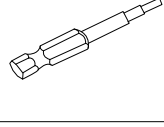
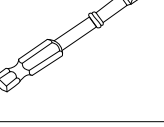
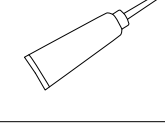
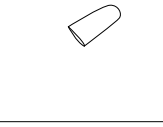
# ASSEMBLY GUIDE

## PARTS LIST

<b>J1</b> Window Frame 1 (1 piece) 	<b>J2</b> Window Frame 2 (1 piece) 	<b>J3</b> Window Frame 3 (1 piece) 	<b>J4</b> Window Frame 4 (1 piece) 	<b>K1</b> Connecting Bracket 1 (1 piece) 	<b>K2</b> Connecting Bracket 2 (1 piece) 
P027000601	P027000701	P027000801	P027000901	P0060014401	P0060014501
<b>K3</b> Connecting Bracket 3 (2 pieces) 	<b>K4</b> Connecting Bracket 4 (1 piece) 	<b>K5</b> Connecting Bracket 5 (15 pieces) 	<b>K6</b> Connecting Bracket 6 (2 piece) 	<b>K7</b> Connecting Bracket 7 (1 piece) 	<b>K8</b> Connecting Bracket 8 (1 piece) 
P0050011301	P0050011401	P0060014601	P0060014701	P0060014801	P0270001001
<b>K9</b> Connecting Bracket 9 (4 pieces) 	<b>L3</b> Shelf Frame 3 (4 pieces) 	<b>L4</b> Shelf Frame 4 (6 pieces) 	<b>L6</b> Shelf Frame 6 (4 pieces) 	<b>L10</b> Shelf Frame 10 (2 pieces) 	<b>L11</b> Shelf Frame 11 (2 pieces) 
P0050011501	P0140001601	P0140001701	P0140001901	P0140002401	P0140002501
<b>L12</b> Shelf Frame 12 (8 pieces) 	<b>M1</b> Connector 1 (4 pieces) 	<b>M2</b> Connector 2 (1 piece) 	<b>M3</b> Connector 3 (3 pieces) 	<b>M4</b> Connector 4 (3 pieces) 	<b>M5</b> Connector 5 (4 pieces) 
P0140002601	P0060014901	P0060015001	P0060015101	P0060015201	P0060015301
<b>M6</b> Connector 6 (4 pieces) 	<b>M7</b> Connector 7 (8 pieces) 	<b>M8</b> Connector 8 (8 pieces) 	<b>M9</b> Connector 9 (4 pieces) 	<b>M10</b> Connector 10 (8 pieces) 	<b>M11</b> Connector 11 (2 pieces) 
P0060015401	P0060015501	P0060015701	P0060015801	P0060015901	P0060016001
<b>M12</b> Connector 12 (8 pieces) 	<b>N1</b> Door Positioning Block 1 (2 pieces) 	<b>N2</b> Door Positioning Block 2 (2 pieces) 	<b>P1</b> Hook (6 pieces) 	<b>P2</b> Skylight Hook (1 piece) 	<b>Q1</b> Power Strip Case (1 piece) 
P0060016101	P1000002601	P1000002701	P1000002801	P1000002901	P0240000201

<p><b>Q2</b> Power Strip Cover (1 piece)</p> 	<p><b>R1</b> Roof Plate 1 (4 pieces)</p> 	<p><b>R2</b> Roof Plate 2 (4 pieces)</p> 	<p><b>R3</b> Roof Plate 3 (1 piece)</p> 	<p><b>R4</b> Roof Plate 4 (1 piece)</p> 	<p><b>R5</b> Roof Plate 5 (8 pieces)</p> 
P0260000101	P1000003001	P1000003101	P1000003201	P1000003301	P1000003401
<p><b>R6</b> Roof Plate 6 (7 pieces)</p> 	<p><b>R7</b> Roof Plate 7 (1 piece)</p> 	<p><b>R8</b> Roof Plate 8 (1 piece)</p> 	<p><b>R9</b> Roof Plate 9 (2 pieces)</p> 	<p><b>R10</b> Roof Plate 10 (2 pieces)</p> 	<p><b>S1</b> Window Handle (1 piece)</p> 
P1000003501	P1000003601	P1000003701	P1000003801	P1000003901	P1000004001
<p><b>S2</b> Skylight Hinge (1 piece)</p> 	<p><b>S3</b> Window Hinge (2 pieces)</p> 	<p><b>T1</b> Door Handle (1 piece)</p> 	<p><b>T2</b> Door Hinge (3 pieces)</p> 	<p><b>T3</b> Door Lock (1 piece)</p> 	<p><b>U1</b> Fan (4 pieces)</p> 
P1000004101	P0060016201	P1000004201	P0060016301	P1000004301	P1000004401
<p><b>U2</b> Fan Frame (4 pieces)</p> 	<p><b>V</b> Positioning Plate (1 piece)</p> 	<p><b>W</b> Operating Rod (1 piece)</p> 	<p><b>X</b> Pipe Holder (2 pieces)</p> 	<p><b>Y1</b> Plumbing Kit 1 (1 piece)</p> 	<p><b>Y2</b> Plumbing Kit 2 (1 piece)</p> 
P1000004501	P1000004601	P1000004701	P1000004801	P1000005201	P1000005401
<p><b>Z</b> Faucet (1 piece)</p> 					
P1000005501					

# HARDWARE PACK

<p><b>AA</b> Self-tapping Bolt M5*20 (184+10 pieces)</p> 	<p><b>BB</b> Self-tapping Bolt M5*30 (66+3 pieces)</p> 	<p><b>CC</b> Self-tapping Bolt M5*35 (23+1 pieces)</p> 	<p><b>DD</b> Self-tapping Bolt M5*40 (36+2 pieces)</p> 	<p><b>EE</b> Self-tapping Bolt M5*45 (14+1 pieces)</p> 	<p><b>FF</b> Self-tapping Bolt M5*50 (16+1 pieces)</p> 
H0008008144	H0008008226	H0008008529	H0008008122	H0008008530	H0008008531
<p><b>GG</b> Self-tapping Bolt M5*60 (60+3 pieces)</p> 	<p><b>HH</b> Self-tapping Bolt M5*65 (8+1 pieces)</p> 	<p><b>JJ</b> Self-tapping Bolt M5*70 (16+1 pieces)</p> 	<p><b>KK</b> Self-tapping Bolt M5*80 (12+1 pieces)</p> 	<p><b>LL</b> Self-tapping Bolt M5*20 (16+1 pieces)</p> 	<p><b>MM</b> Self-tapping Bolt M3*9 (8+1 pieces)</p> 
H0008008227	H0008008532	H0008008533	H0008008534	H0008008228	H0008008092
<p><b>NN</b> Self-tapping Bolt M4*20 (24+1 pieces)</p> 	<p><b>PP</b> Self-tapping Bolt M4*25 (16+1 pieces)</p> 	<p><b>QQ</b> Self-tapping Bolt M4*20 (114+7 pieces)</p> 	<p><b>RR</b> Bolt M6*40 (8+1 pieces)</p> 	<p><b>SS</b> Bolt M6*50 (8+1 pieces)</p> 	<p><b>TT</b> Bolt M6*60 (4+1 pieces)</p> 
H0008008229	H0008008230	H0008008231	H0008008174	H0008008201	H0008008217
<p><b>UU</b> Four-claw Screw Nut M6 (20+1 pieces)</p> 	<p><b>VV</b> M6 Flat washer (20+1 pieces)</p> 	<p><b>WW</b> M5 Flat washer (16+1 pieces)</p> 	<p><b>XX</b> Wrench M6 (1 piece)</p> 	<p><b>YY</b> Allen Key M6 (1 piece)</p> 	<p><b>ZZ</b> Screw Driver (2 pieces)</p> 
H0008008218	H0008008057	H0008008056	H0008008011	H0008008133	H0008008097
<p><b>ZY</b> M6 Hex drill bit (1 piece)</p> 	<p><b>ZX</b> Phillips drill bit (1 piece)</p> 	<p><b>ZW</b> Kraft Silicone Adhesive (1 piece)</p> 	<p><b>ZV</b> Fingerstall (1 piece)</p> 		
H0008008209	H0008008215	H0008008197	H0008008180		

**IMPORTANT:**

This instruction manual contains important information necessary for the proper assembly and safe use of the product.

Read and follow all warnings and instructions before assembling and using the product.

Follow all warnings and instructions when using the product.

Keep this manual for future reference.

Installer/Assembler: leave these instructions with the consumer.

**SAFETY ALERT KEY****⚠ DANGER**

Indicates a hazardous situation that, if not avoided, will result in death or serious injury.

**⚠ WARNING**

Indicates a hazardous situation that, if not avoided, could result in death or serious injury.

**⚠ CAUTION**

Indicates a hazardous situation that, if not avoided, could result in minor or moderate injury.

**NOTICE**

Indicates information considered important, but not hazard-related (e.g. messages related to property damage).

**ASSEMBLY INSTRUCTIONS**

- Please carefully unpack each of the components and hardware. check the components against the parts list and make sure there are no missing parts. lay pieces on cardboard or a soft mat to help protect the pieces from scratches.

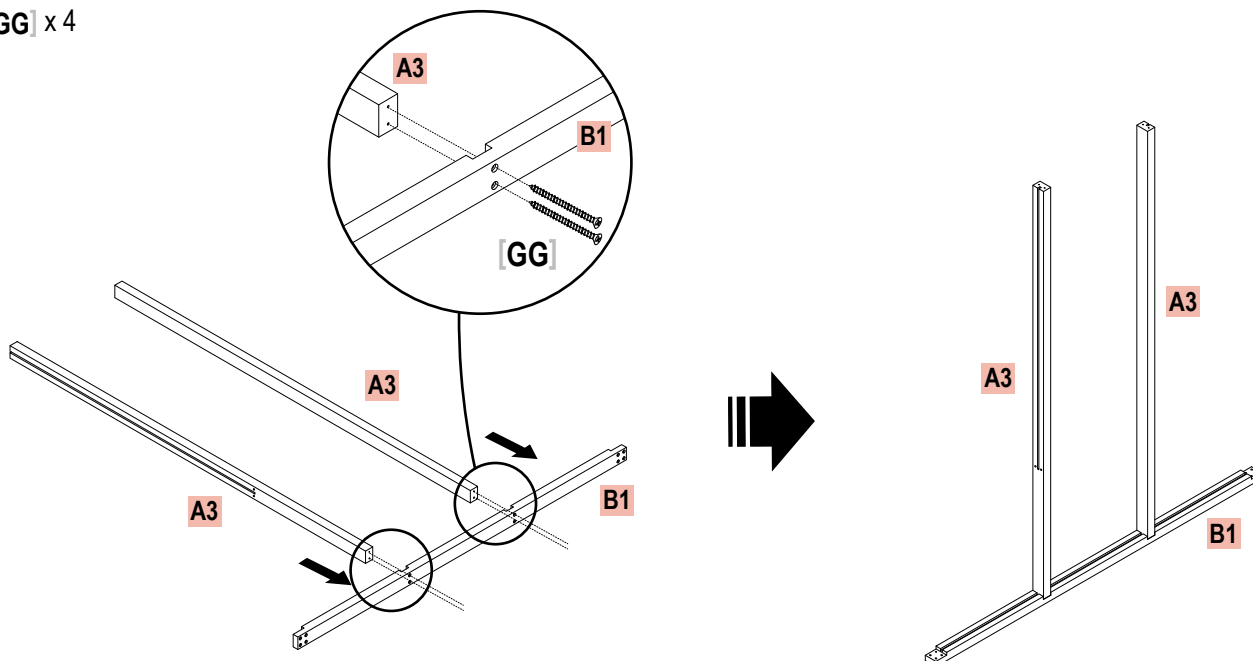
**⚠ CAUTION**

Watch for sharp edges when handling the pieces, wear gloves to avoid injury.

- For ease of assembly, it is recommended to have 3 or more people and allow enough time to completely finish the assembly. assembly can take 6-8 hours. a step-ladder is required for assembly (not included).
- Follow step by step instructions, and follow all safety warnings provided with your tools.
- DO NOT tighten screws until all the screws and washers are properly installed. Tighten screws securely, do not over tighten.
- Gazebo should not be used in inclement weather and high winds.

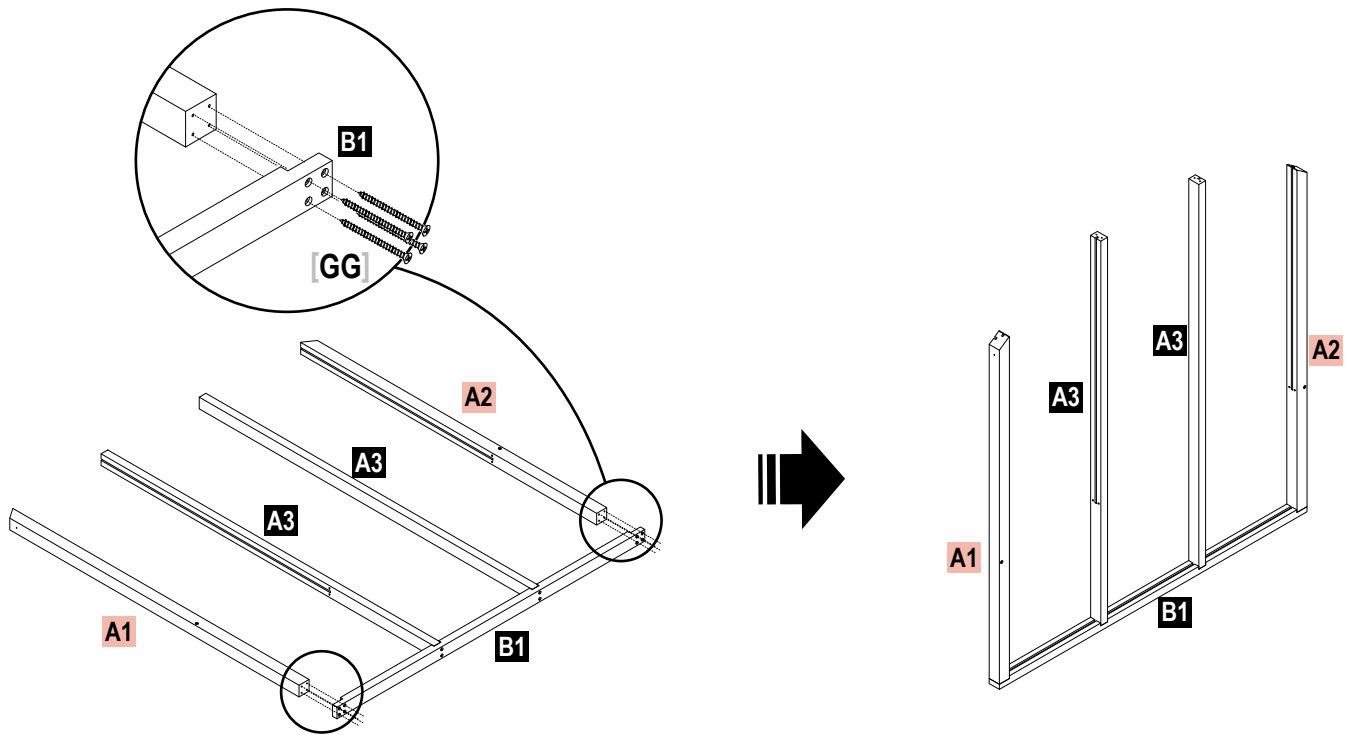
**STEP 01** Use two (2) [GG] bolts to attach one (1) Post A3 to the center of Ground Beam B1. Repeat with the other A3. **DO NOT** fully tighten the bolts at this stage to allow for later adjustment.

[GG] x 4



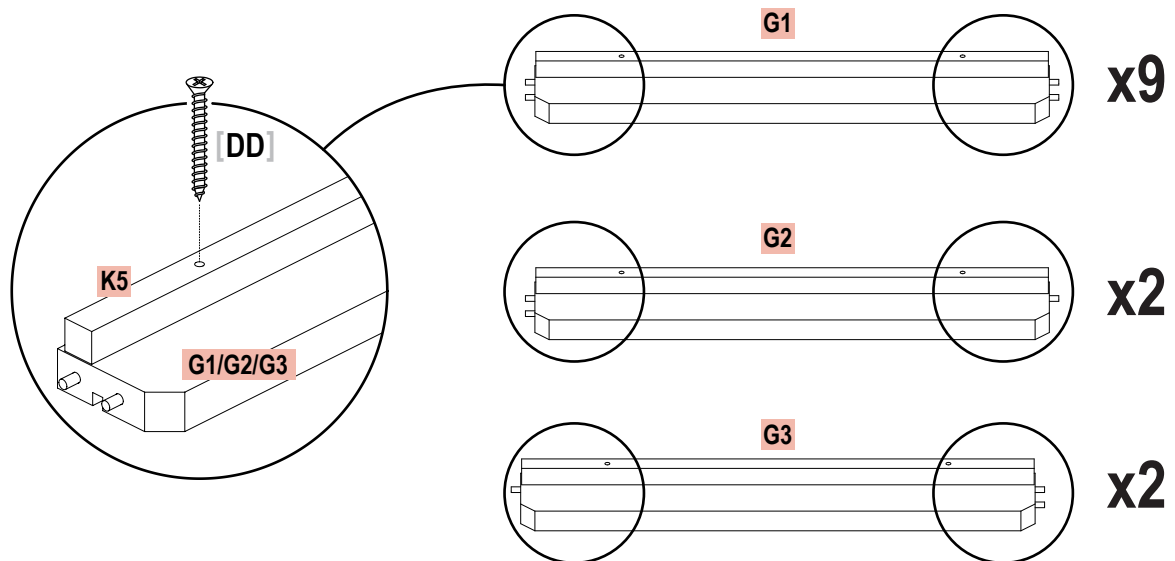
**STEP 02** Use four (4) **[GG]** bolts to attach one (1) Post **A1** to the end of Ground Beam **B1**. Repeat with Post **A2**. **DO NOT** fully tighten the bolts at this stage to allow for later adjustment.

**[GG]** x 8



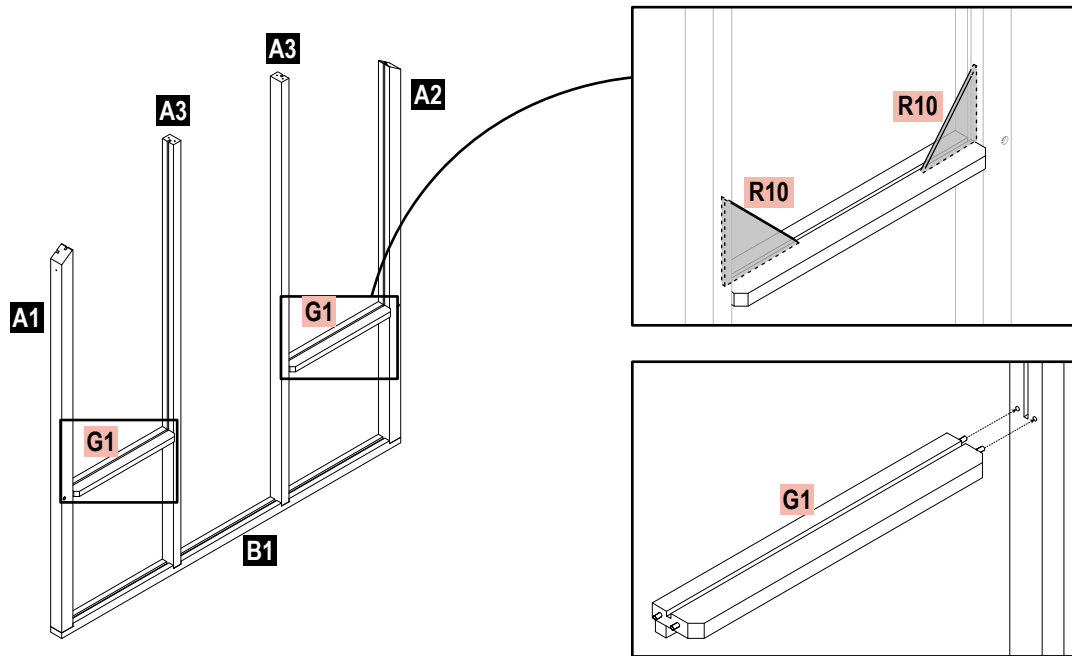
**STEP 03** Use two (2) **[DD]** bolts to attach one (1) Connecting Bracket **K5** to Window Ledge **G1**. Repeat with the other eight (8) **K5** to **G1**, two (2) **K5** to **G2** and two (2) **K5** to **G3**.

**[DD]** x 26

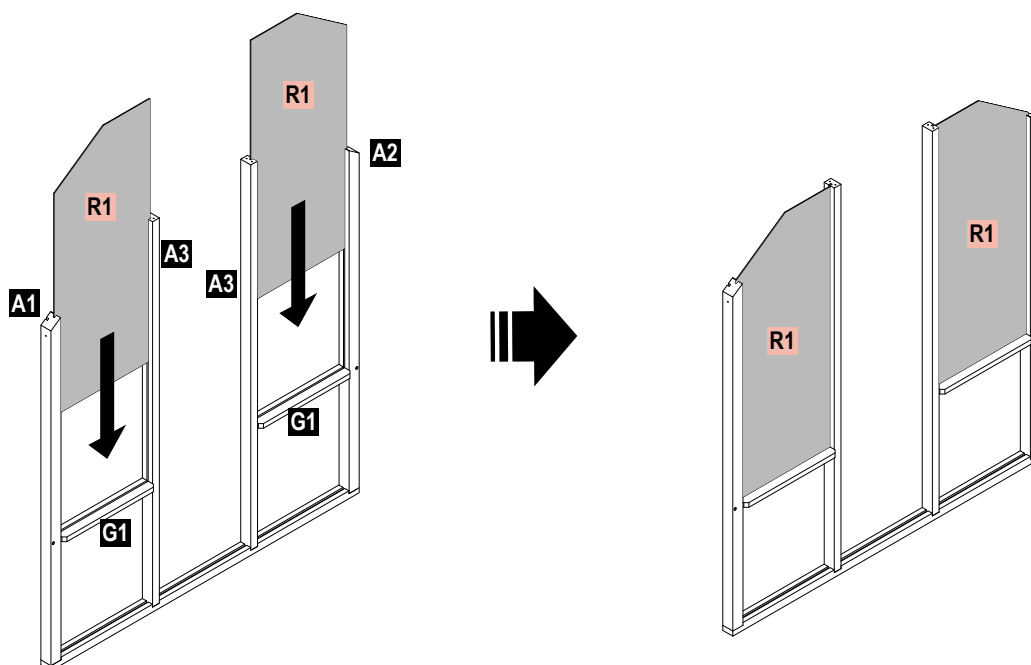


**STEP 04** Insert both ends of **G1** into the slots of the posts as shown. Slide **G1** into position until it is fully seated. Temporarily place Roof Plate **R10** in the grooves as an alignment guide to ensure the grooves are properly lined up.

**▲ Note:** Roof Plate **R10** is used as a temporary alignment guide during assembly whenever groove or channel alignment is required. Place **R10** in the grooves to align the channels before installing the polycarbonate panels. Remove **R10** after alignment is confirmed and all fasteners are fully tightened.

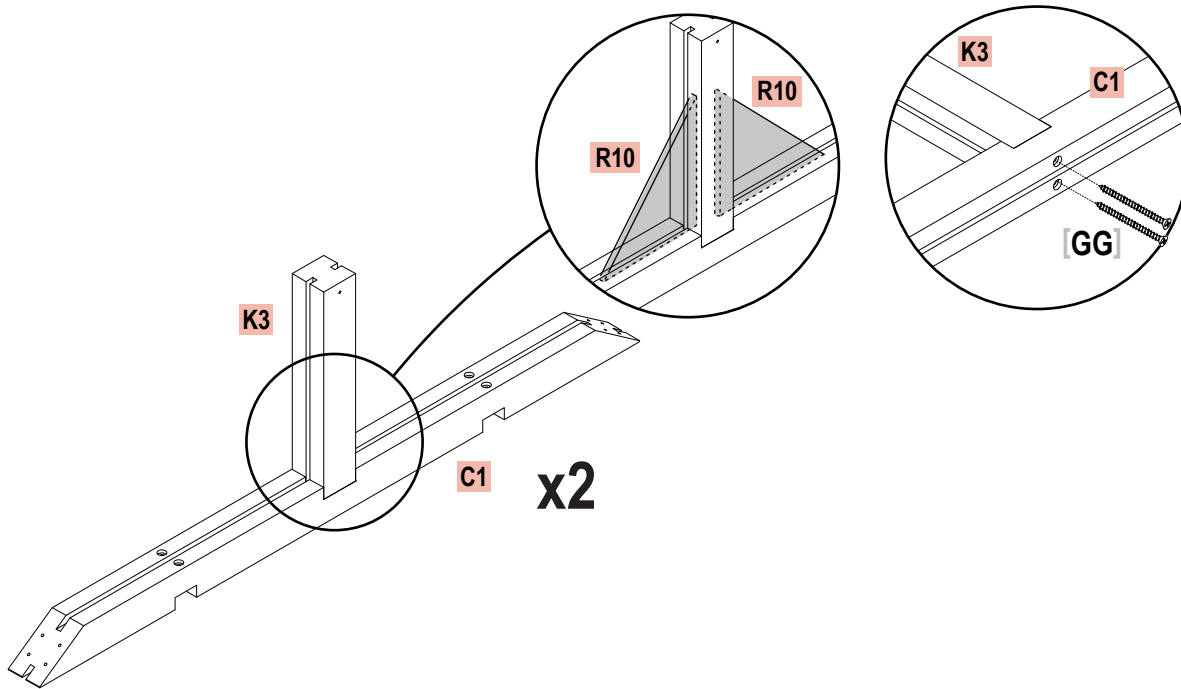


**STEP 05** Slide Roof Panel **R1** down into the grooves of Posts **A1/A2** and **A3** until it sits on **G1**. Make sure the panel is fully inserted and aligned.



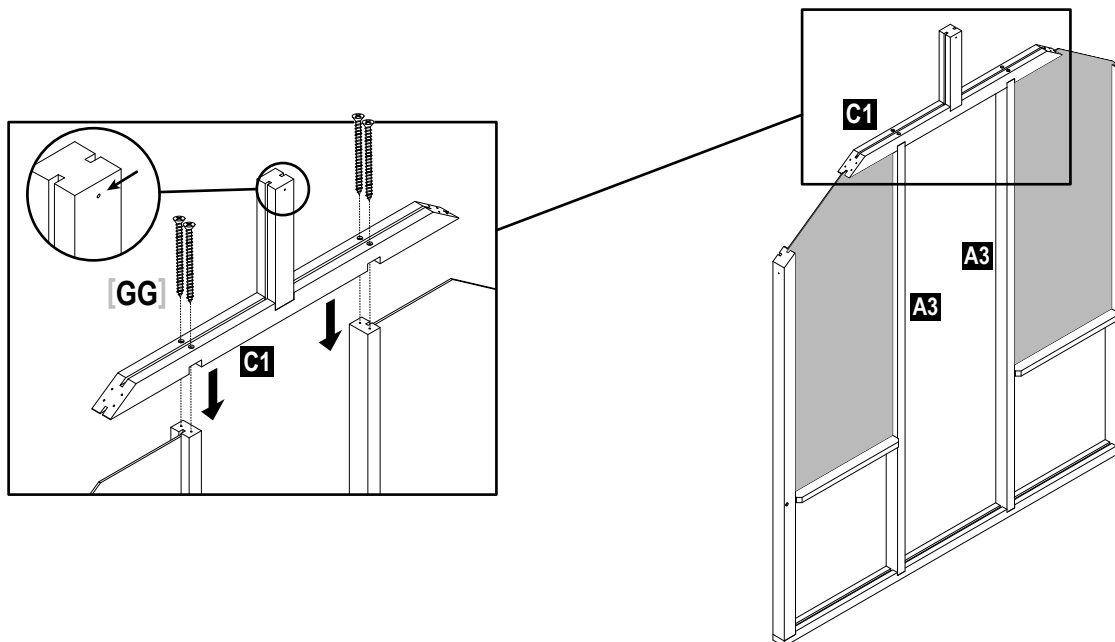
**STEP 06** Use two (2) [GG] bolts to attach one (1) Connecting Bracket **K3** to Cross Beam **C1**. Repeat to make a second assembly. Temporarily place Roof Plate **R10** in the grooves as an alignment guide to ensure the grooves are properly lined up.

[GG] x 4



**STEP 07** Position **C1** on top of posts **A3**. Fasten **C1** to the posts with [GG] bolts, ensuring the pre-drilled hole on **K3** faces outward.

[GG] x 4



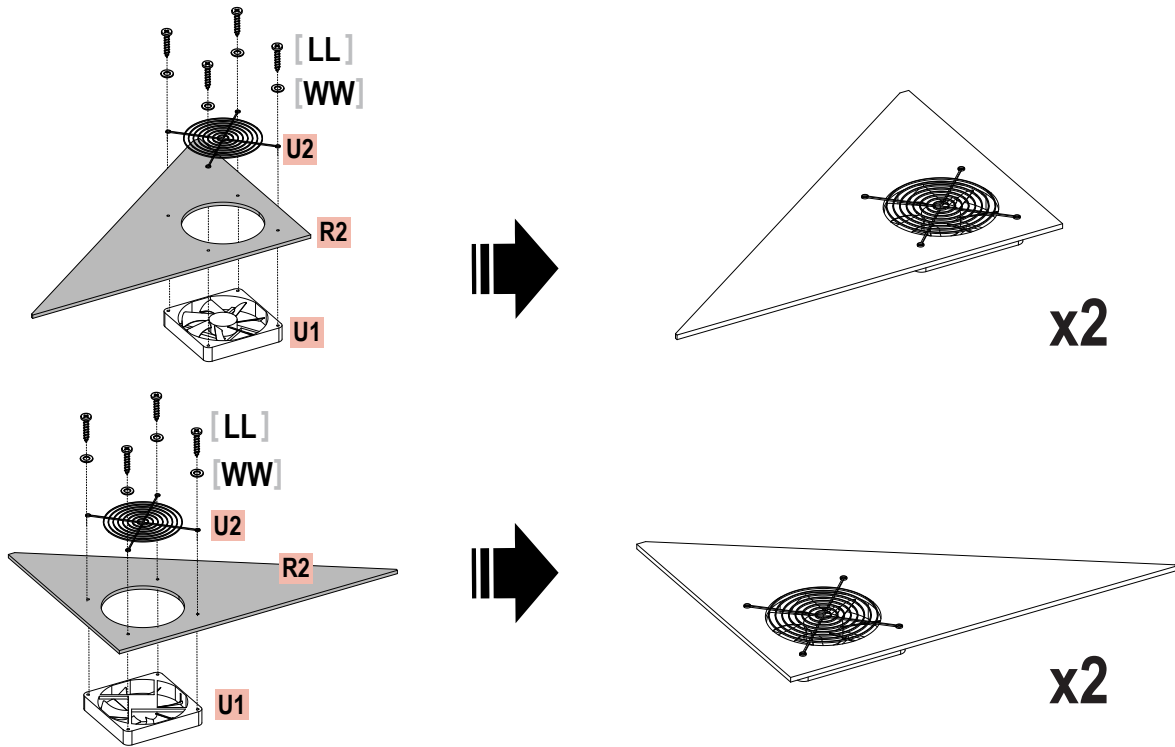
**STEP 08** Assemble Fan **U1** and Fan Frame **U2** onto Roof Plate **R2**. Position **U1** on one side of **R2** and **U2** on the opposite side, sandwiching the roof plate between them.

- 2 sets: Install **U1** with the front side facing upward.
- 2 sets: Install **U1** with the reverse side facing upward.

Align the holes and secure each assembly using **[LL]** screws and **[WW]** washers.

**[LL]** x 16

**[WW]** x 16



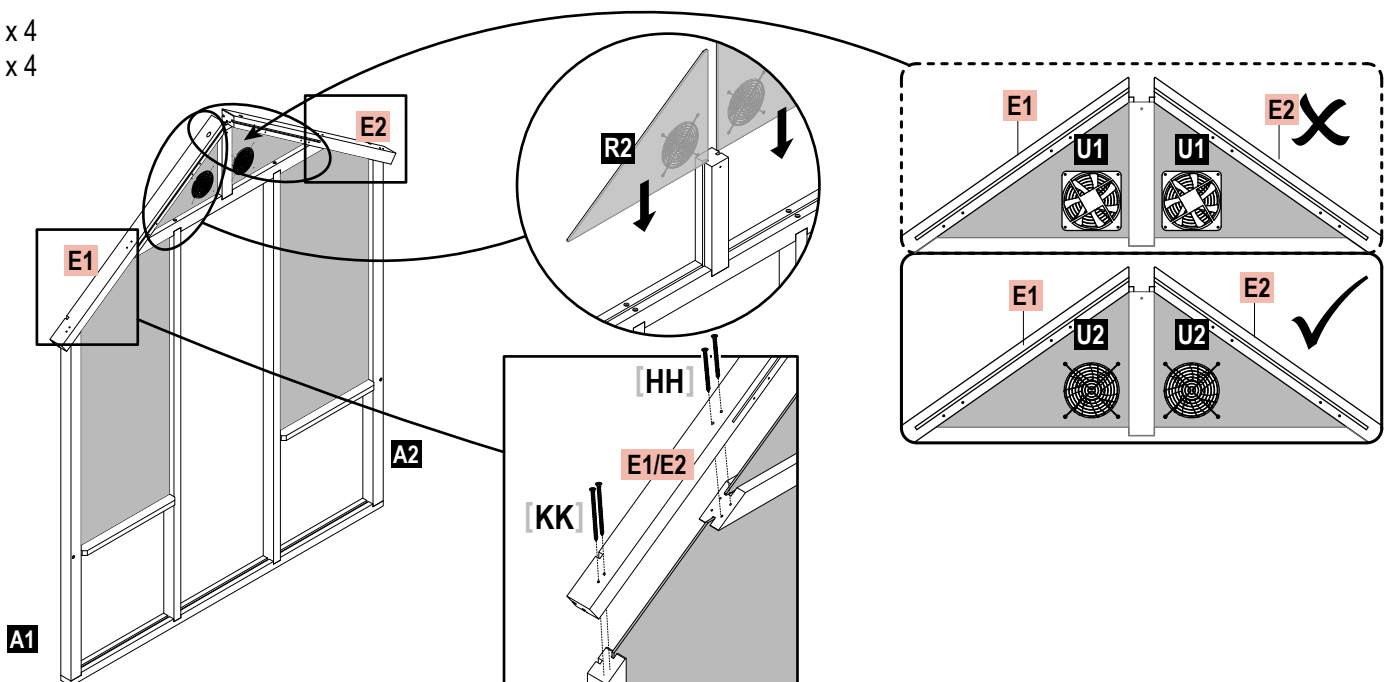
**STEP 09** Install the assembled **R2** roof plate units onto the roof frame as shown, positioning them along Middle Cross Beams **E1** and **E2**.

When **E1** is on the left side and **E2** is on the right side, the visible side of the fan assembly must be **U2**. Do not mix orientations.

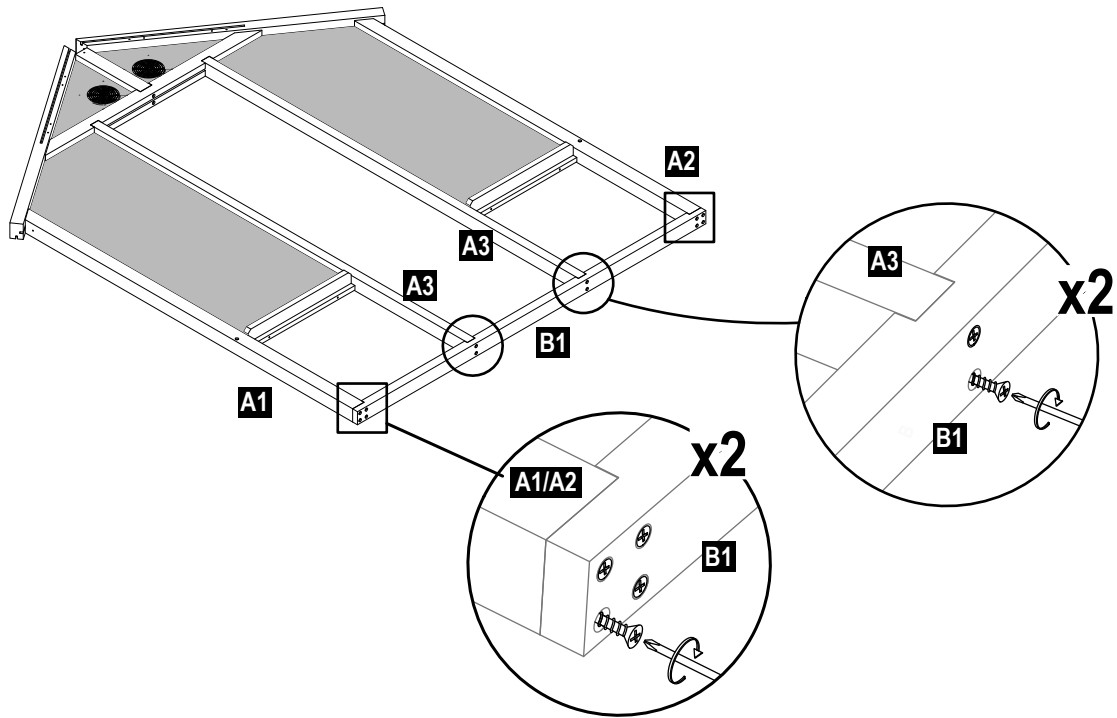
Align all holes and secure **E1/E2** to Posts **A1/A2** and Cross Beam **C1** using **[HH]** and **[KK]** bolts.

**[KK]** x 4

**[HH]** x 4

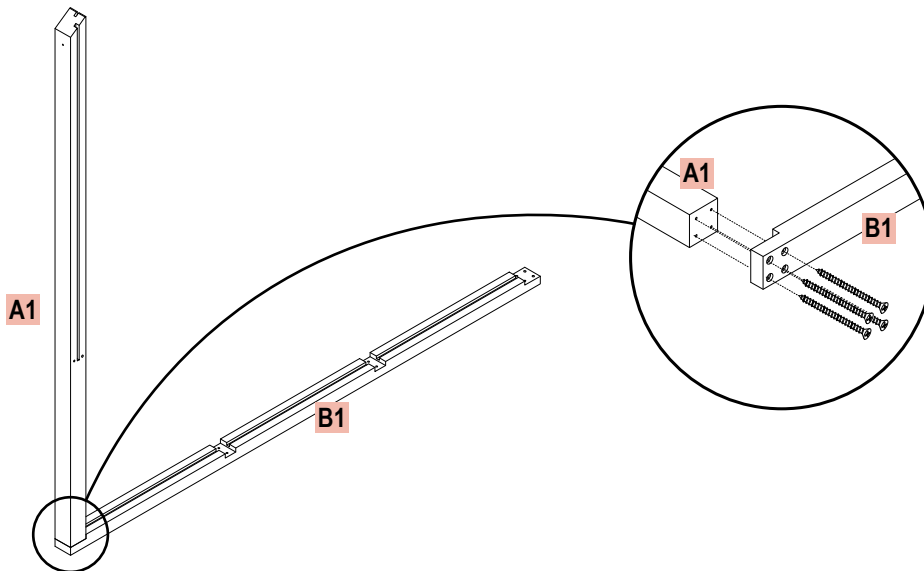


**STEP 10** Fully tighten all fasteners installed in Steps 01 and 02.



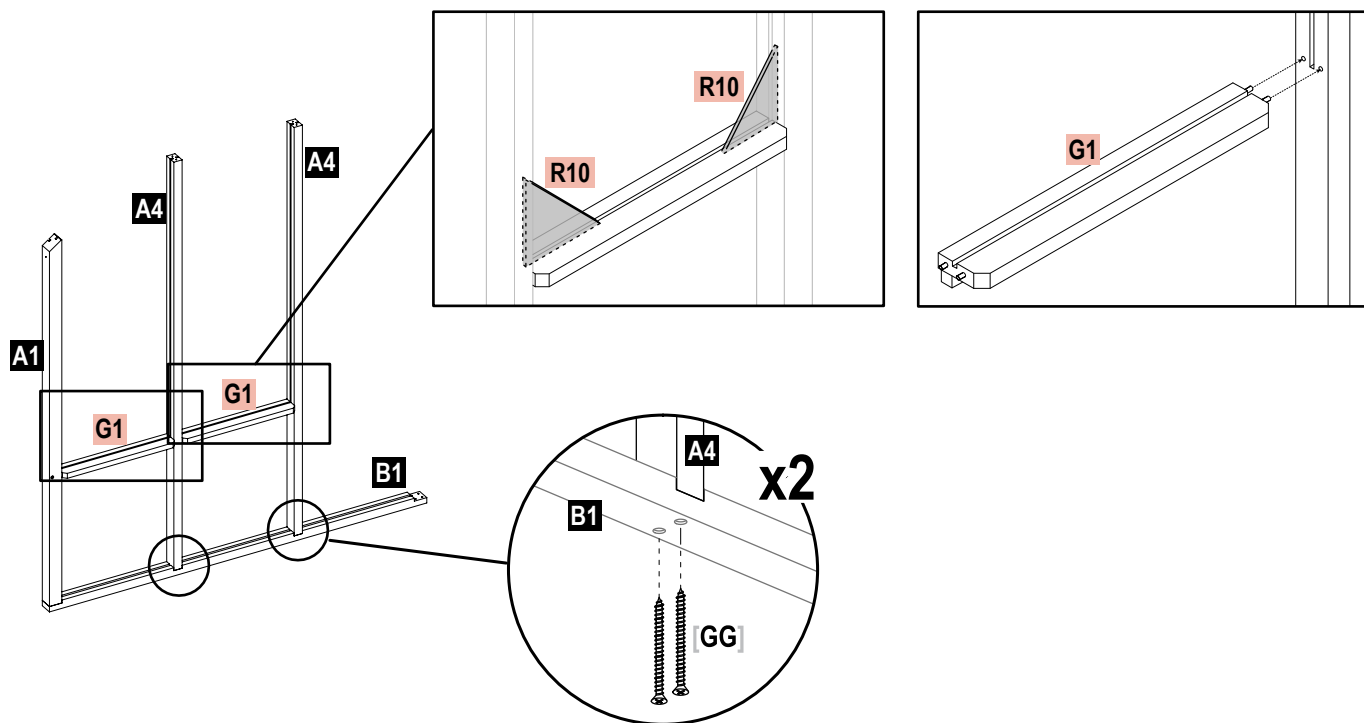
**STEP 11** Use four (4) [GG] bolts to attach one (1) Post **A1** to Ground Beam **B1**. **DO NOT** fully tighten the bolts at this stage to allow for later adjustment.

[GG] x 4



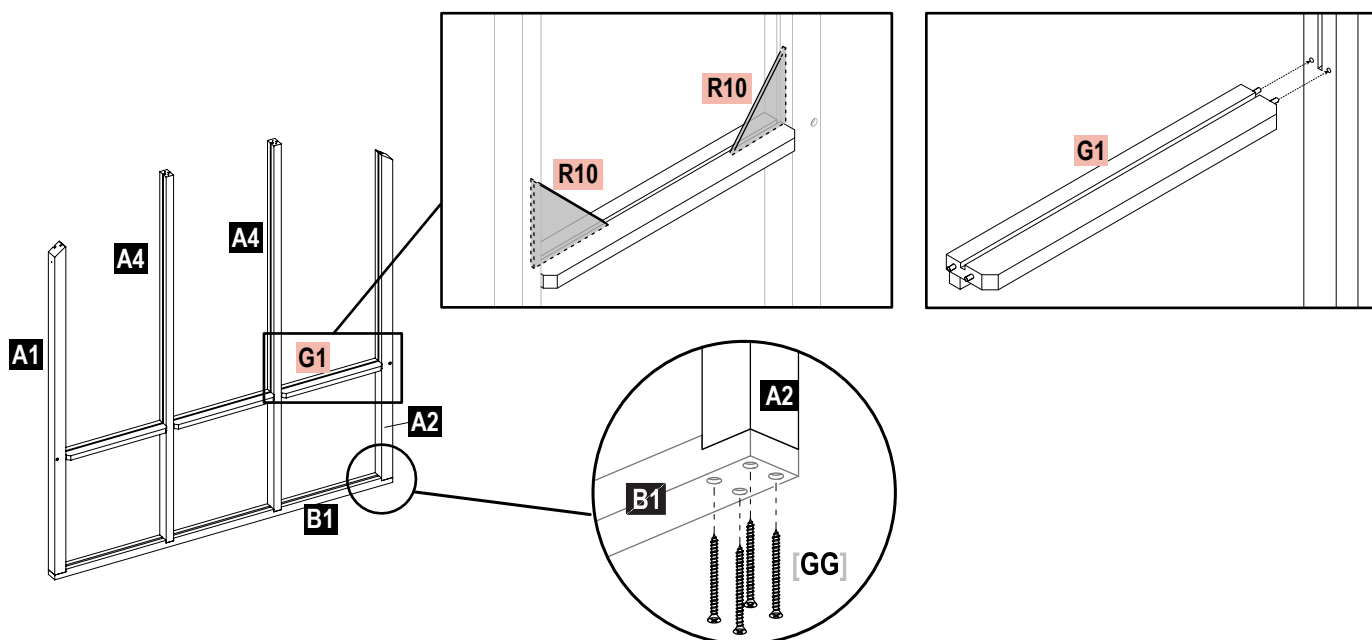
**STEP 12** Secure **A4** to **B1** with two (2) **[GG]** bolts each; **DO NOT** fully tighten. Insert **G1** into the post slots. Use **R10** as a temporary alignment guide in the grooves.

**[GG]** x 4

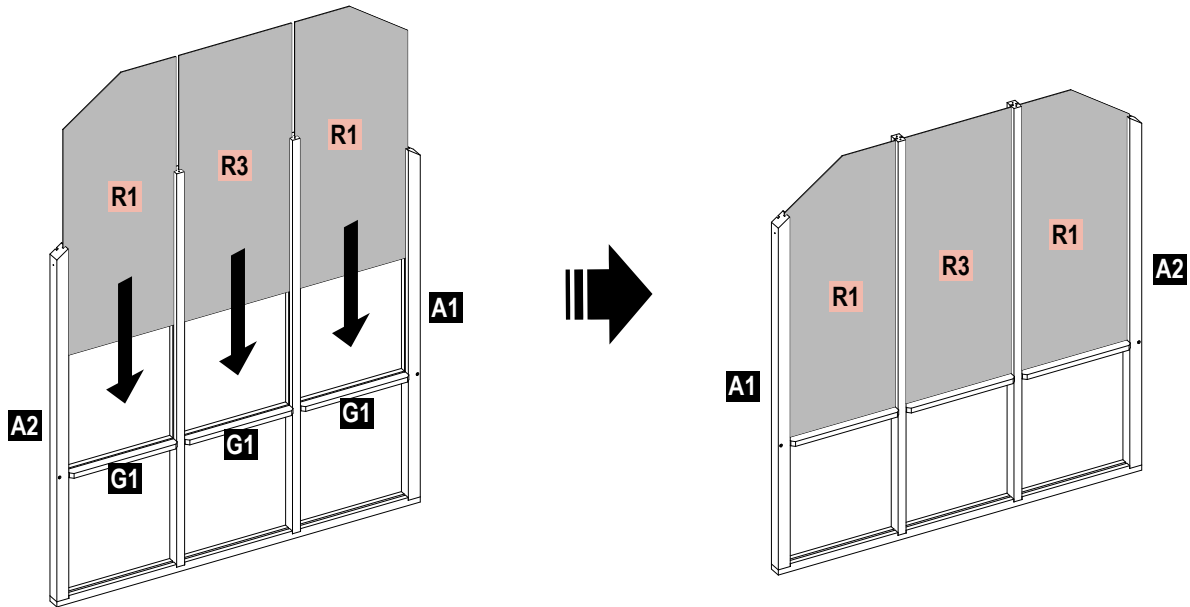


**STEP 13** Secure **A2** to **B1** with four (4) **[GG]** bolts each; **DO NOT** fully tighten. Insert **G1** into the post slots. Use **R10** as a temporary alignment guide in the grooves.

**[GG]** x 4

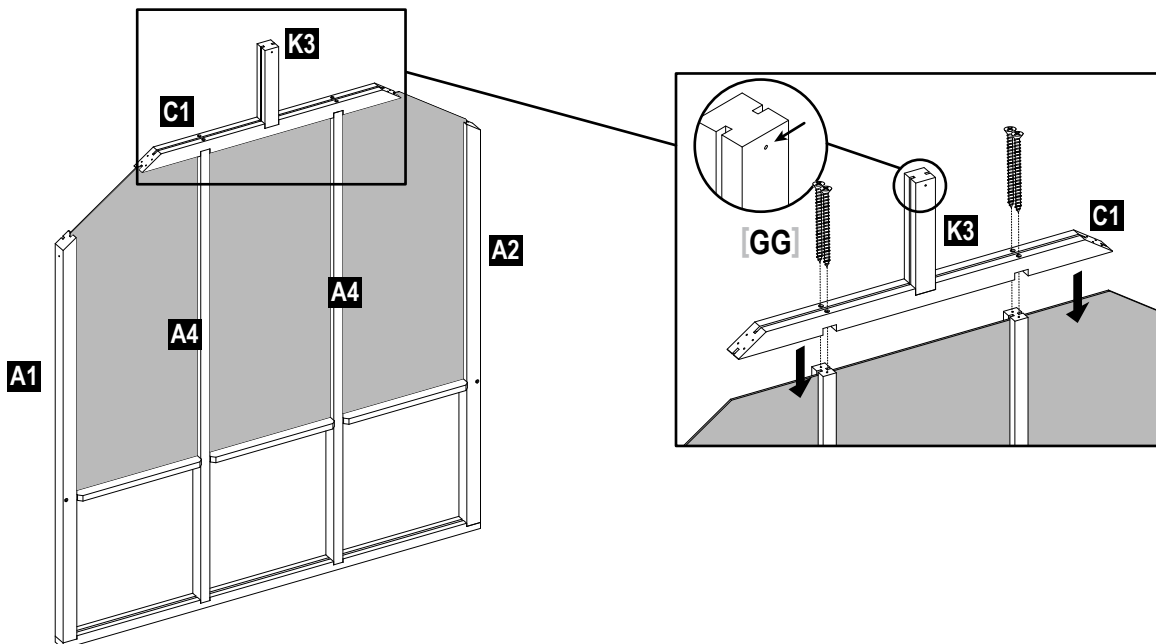


**STEP 14** Slide Roof Panel **R1** down into the grooves of Posts **A1/A2** and **A4** until it sits on **G1**. Make sure the panel is fully inserted and aligned.  
 Slide Roof Panel **R3** down into the grooves of Posts **A4** until it sits on **G1**. Make sure the panel is fully inserted and aligned.



**STEP 15** Position **C1** on top of posts **A4**. Fasten **C1** to the posts with **[GG]** bolts, ensuring the pre-drilled hole on **K3** faces outward.

**[GG]** x 4

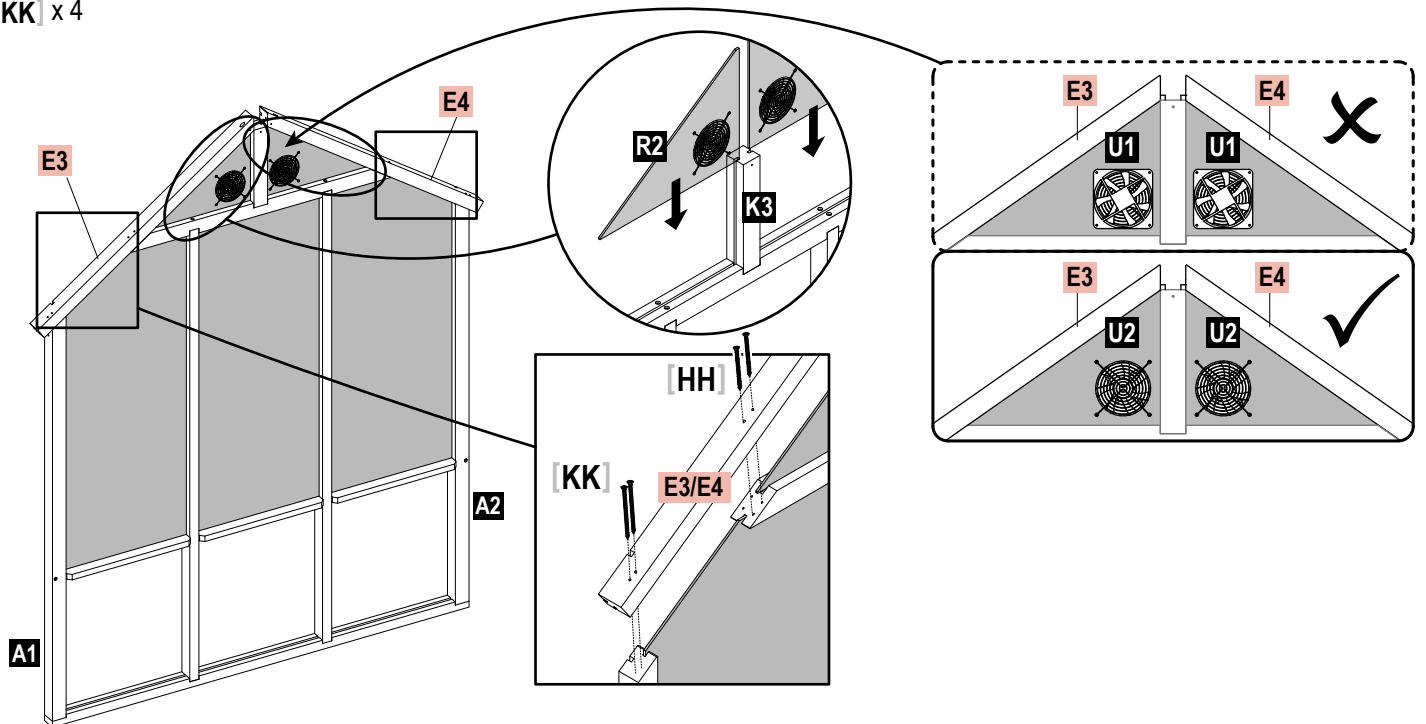


**STEP 16** Install the assembled **R2** roof plate units onto the roof frame as shown, positioning them along Middle Cross Beams **E3** and **E4**.

When **E3** is on the left side and **E4** is on the right side, the visible side of the fan assembly must be **U2**. Do not mix orientations. Align all holes and secure **E3/E4** to Posts **A1/A2** and Cross Beam **C1** using **[HH]** and **[KK]** bolts.

**[HH]** x 4

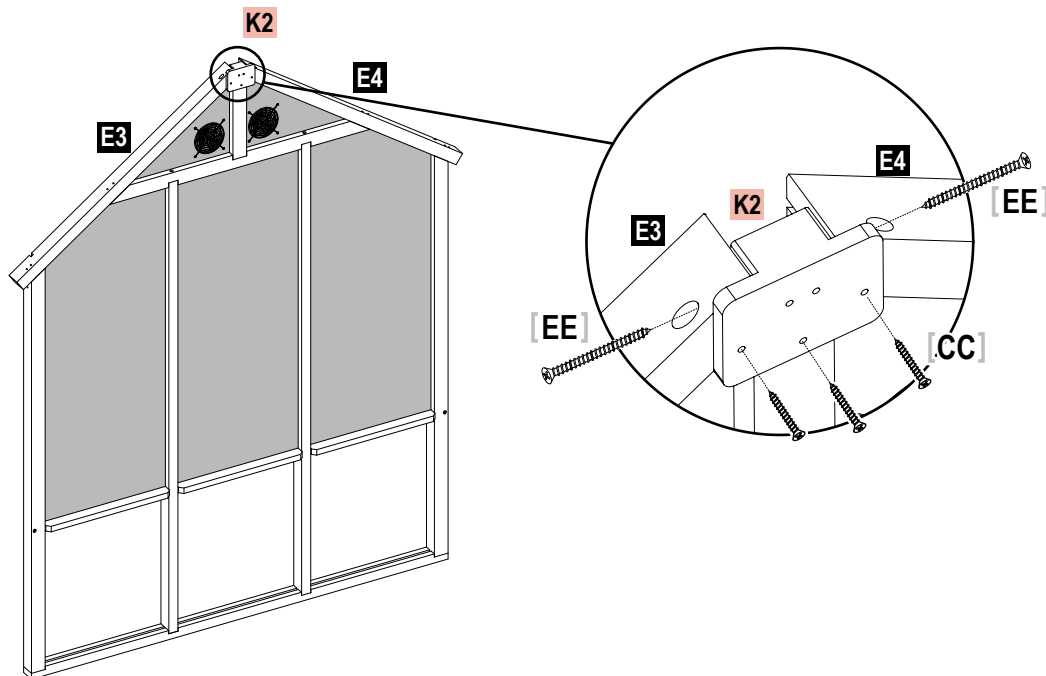
**[KK]** x 4



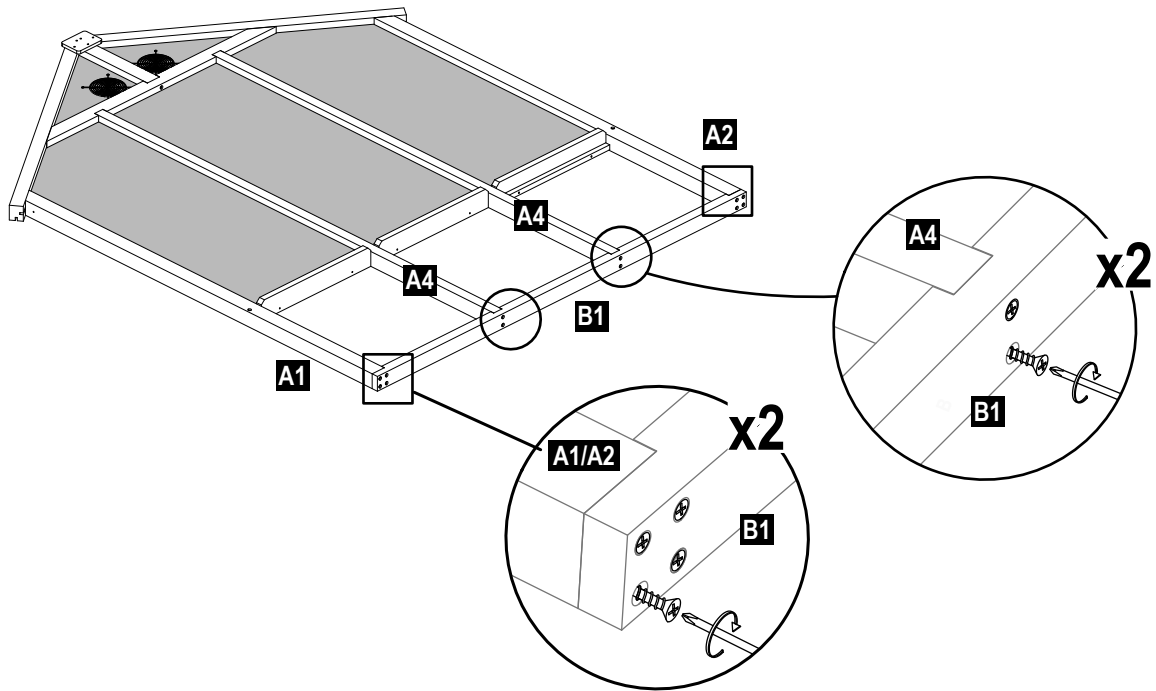
**STEP 17** Position Connecting Bracket **K2** at the roof peak between beams **E3** and **E4** as shown. Secure beams **E3** and **E4** to **K2** using **[EE]** screws. Then fasten **K2** down into **K3** using **[CC]** screws.

**[CC]** x 3

**[EE]** x 2



**STEP 18** Fully tighten all fasteners installed in Steps 11, 12 and 13.



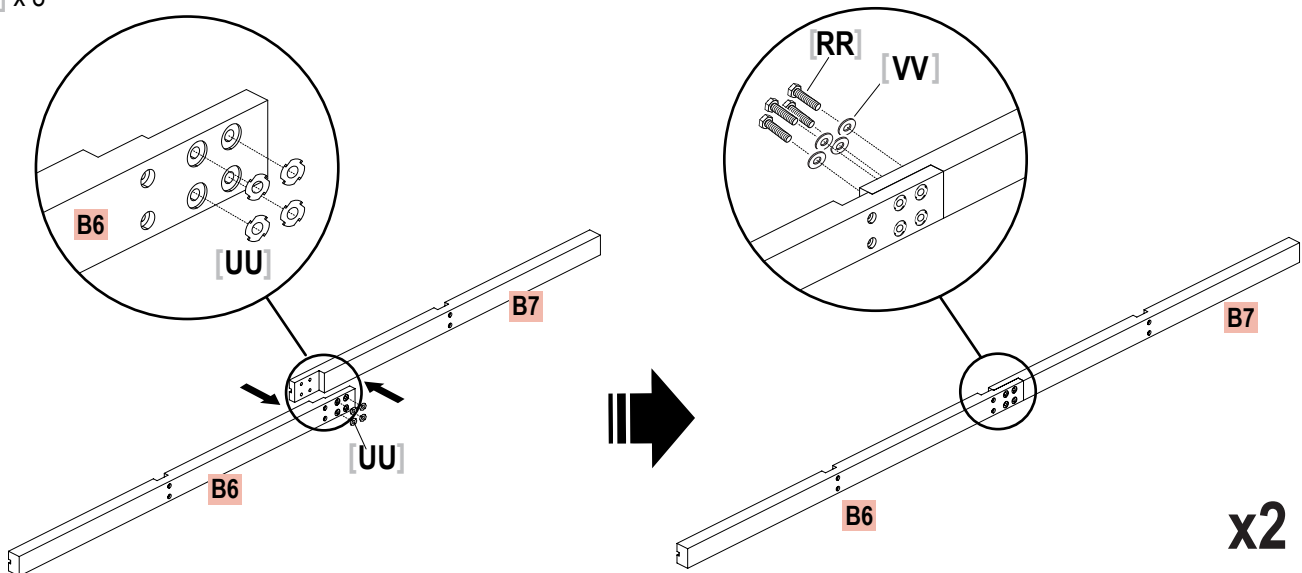
**STEP 19** Insert [UU] screw nuts into the pre-drilled holes of Ground Beam B6 as shown.

Join parts B6 and B7 by aligning the notched ends. Secure the connection using [RR] bolts with [VV] washers. Repeat to make a second assembly.

[RR] x 8

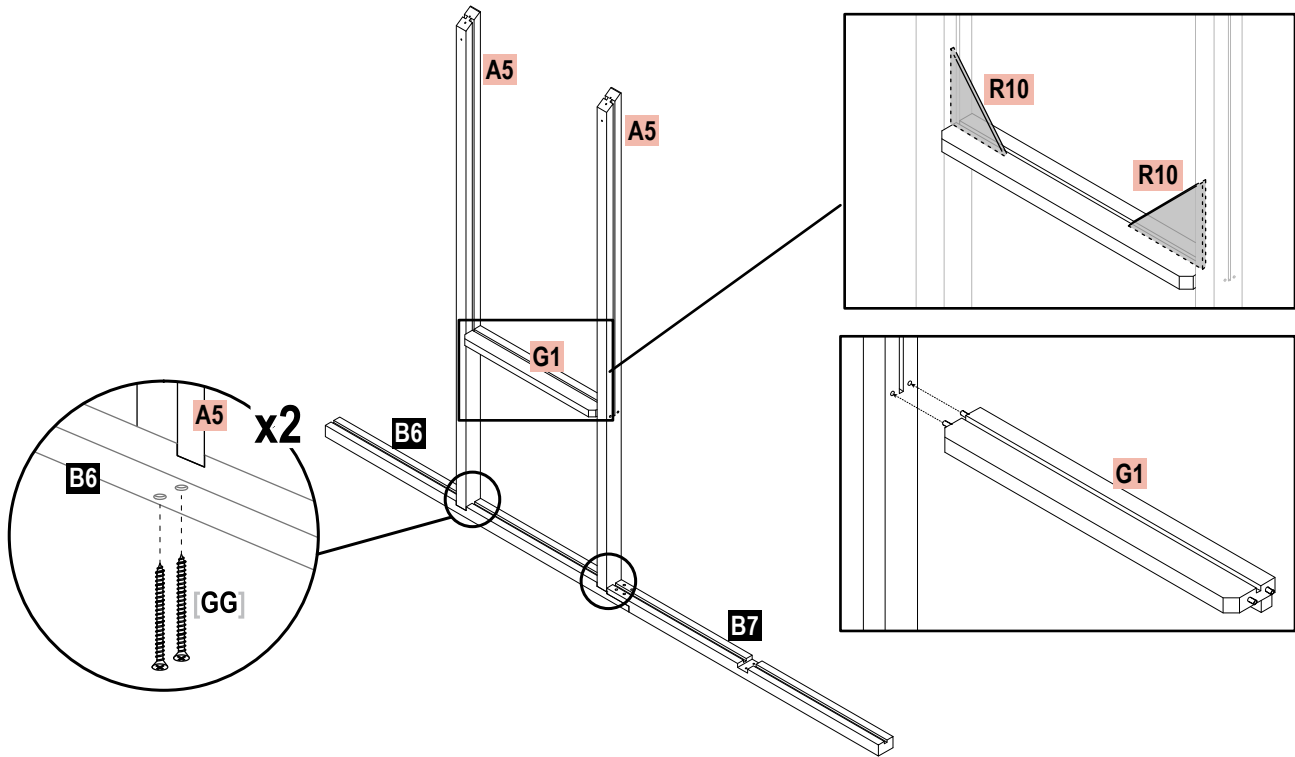
[VV] x 8

[UU] x 8



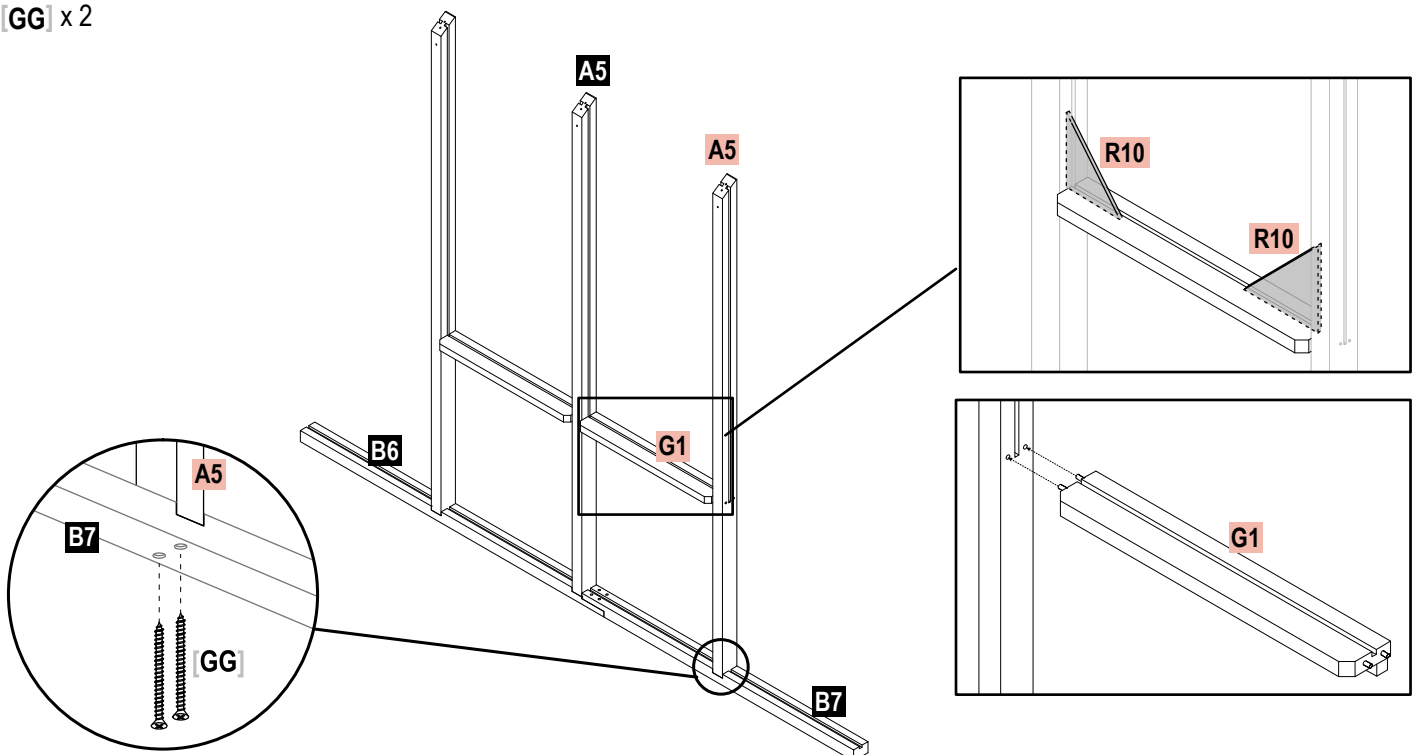
**STEP 20** Secure **A5** to **B6** with two (2) **[GG]** bolts each; **DO NOT** fully tighten. Insert **G1** into the post slots. Use **R10** as a temporary alignment guide in the grooves.

**[GG]** x 4



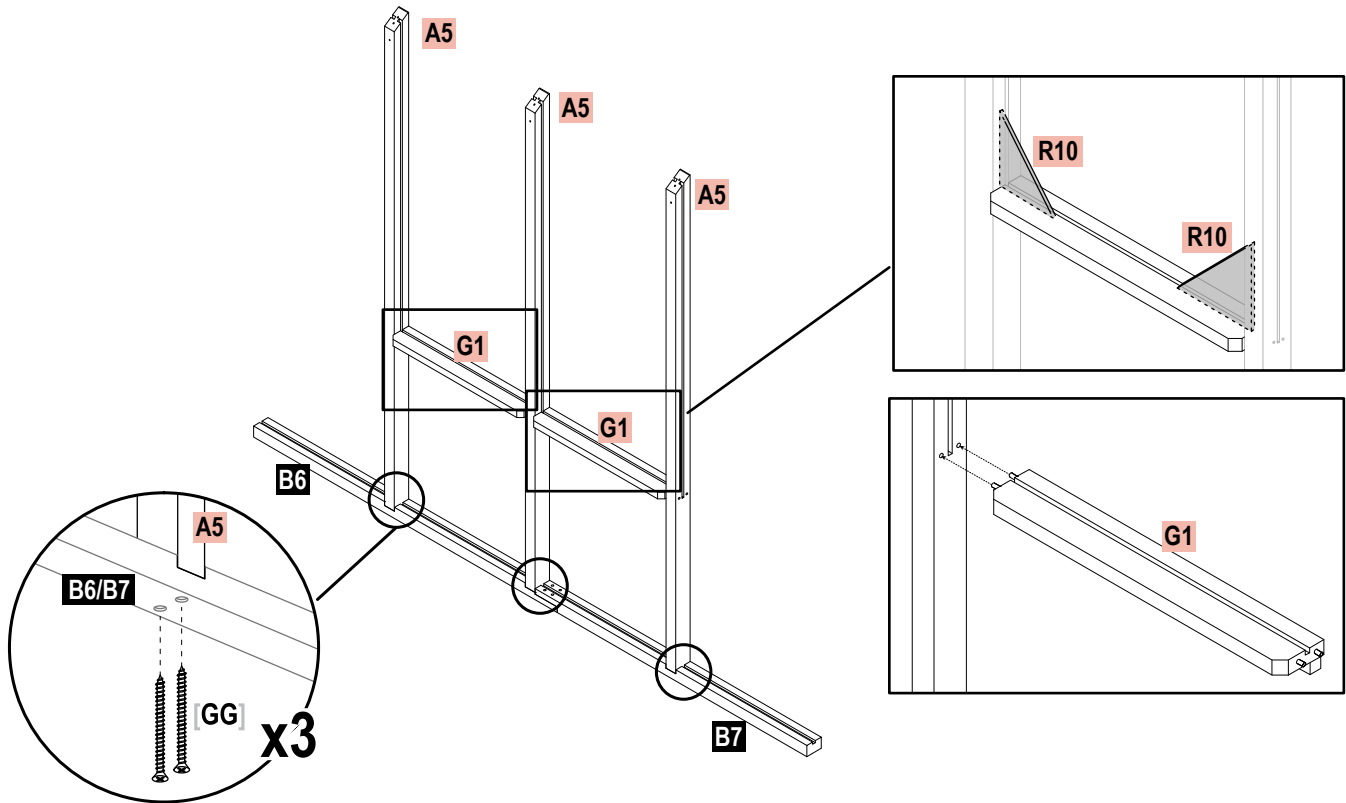
**STEP 21** Secure **A5** to **B6** with two (2) **[GG]** bolts each; **DO NOT** fully tighten. Insert **G1** into the post slots. Use **R10** as a temporary alignment guide in the grooves. Fully tighten all fasteners installed in Steps 20-21.

**[GG]** x 2



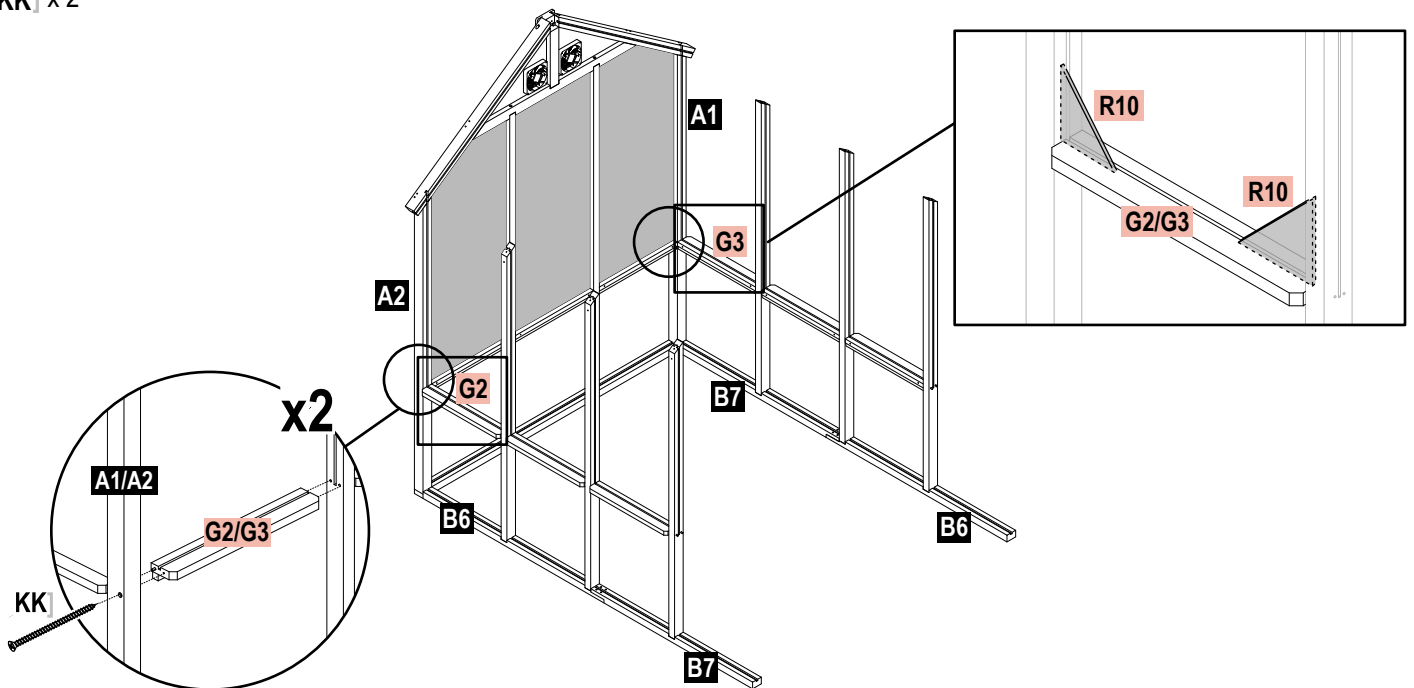
**STEP 22** Repeat step 20-21 to make a second assembly with **B6**, **B7**, **A5** and **G1**.

**[GG]** x 6



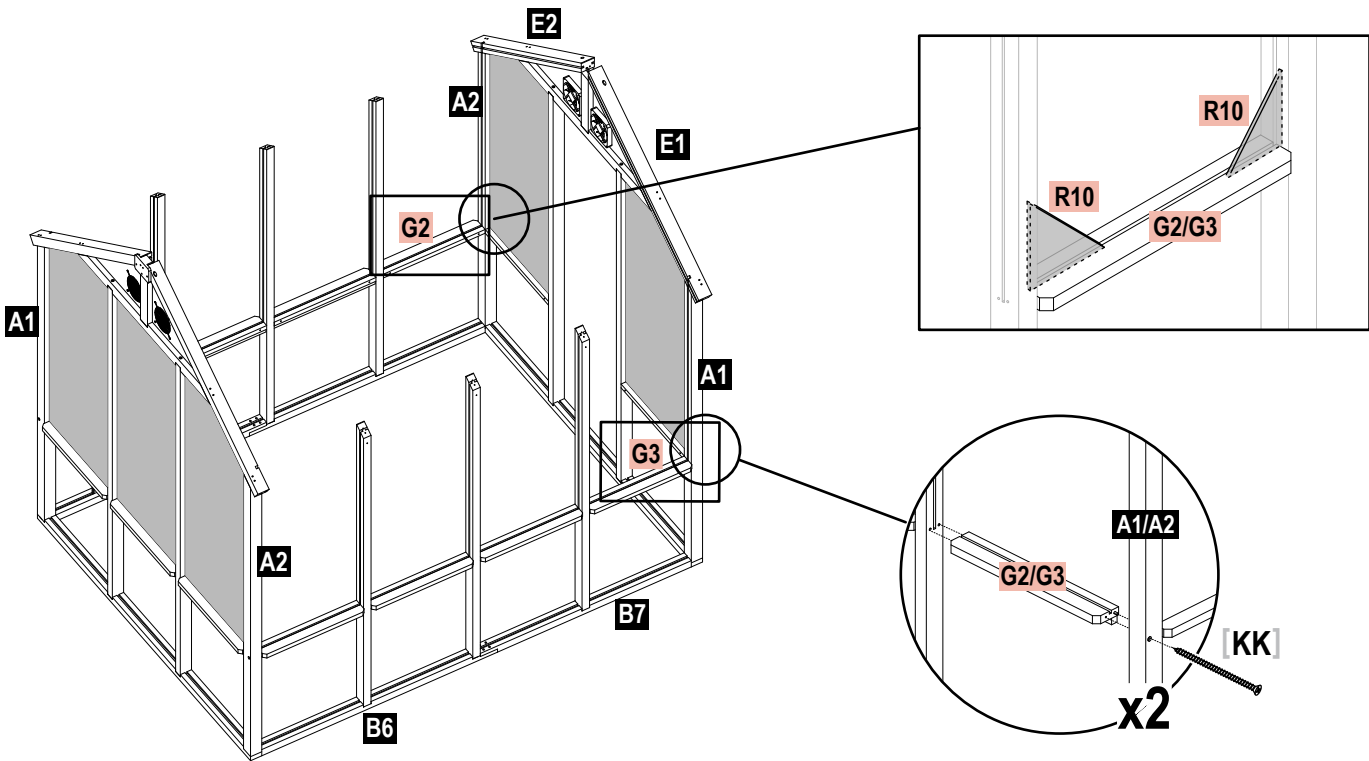
**STEP 23** Install Window Ledge **G2** between Posts **A2** and **A5**. Install Window Ledge **G3** between Posts **A1** and **A5**. Use **R10** as a temporary alignment guide in the grooves. Fasten with **[KK]**.

**[KK]** x 2

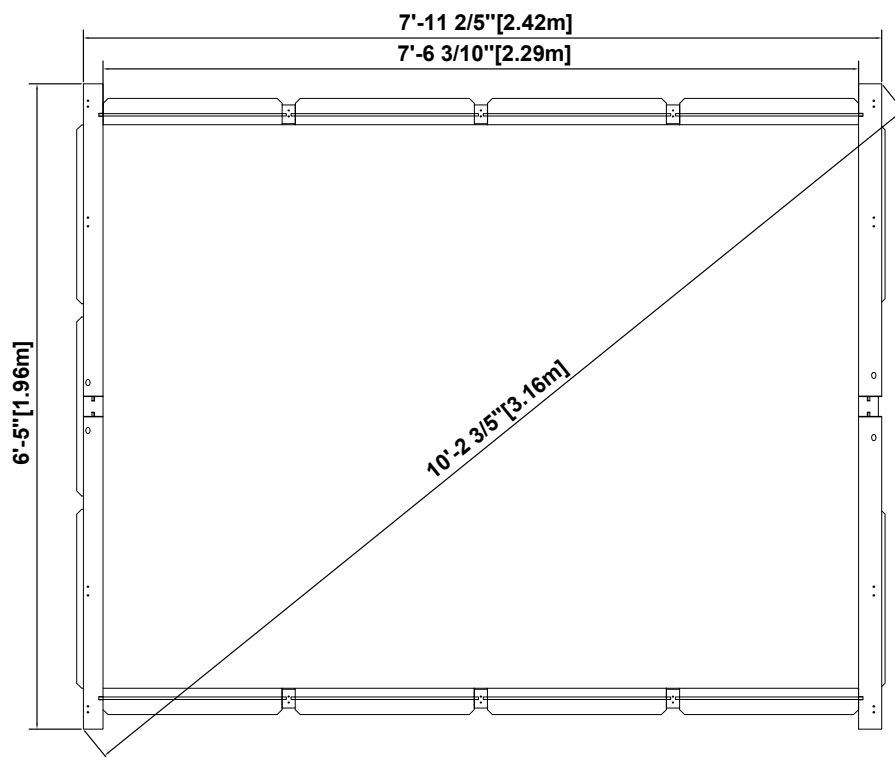


**STEP 24** Install Window Ledge **G2** between Posts **A2** and **A5**. Install Window Ledge **G3** between Posts **A1** and **A5**. Use **R10** as a temporary alignment guide in the grooves. Fasten with **[KK]**.

**[KK]** x 2

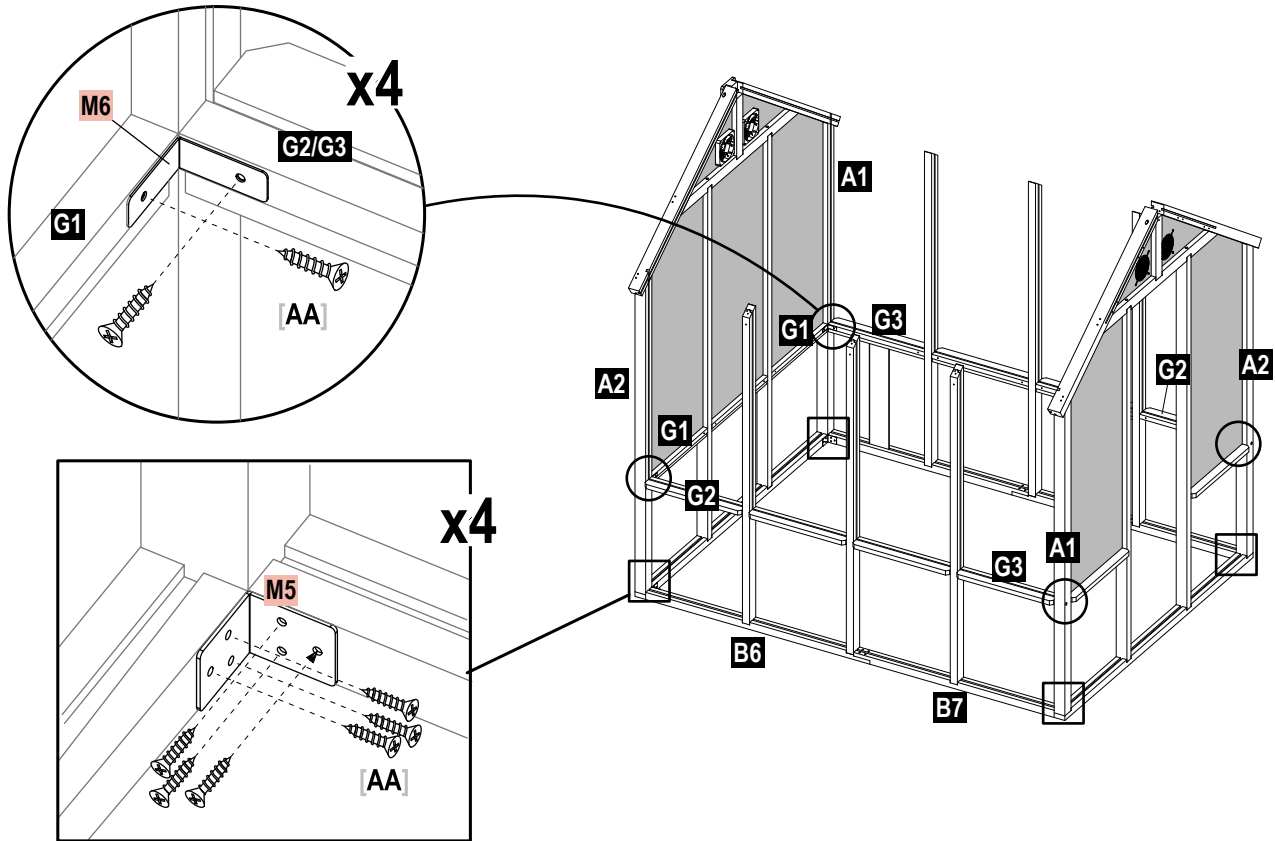


**STEP 25** **CRITICAL: SQUARE UNIT BEFORE PROCEEDING TO NEXT STEPS. ONCE SQUARE, TIGHTEN ALL HARDWARE.**



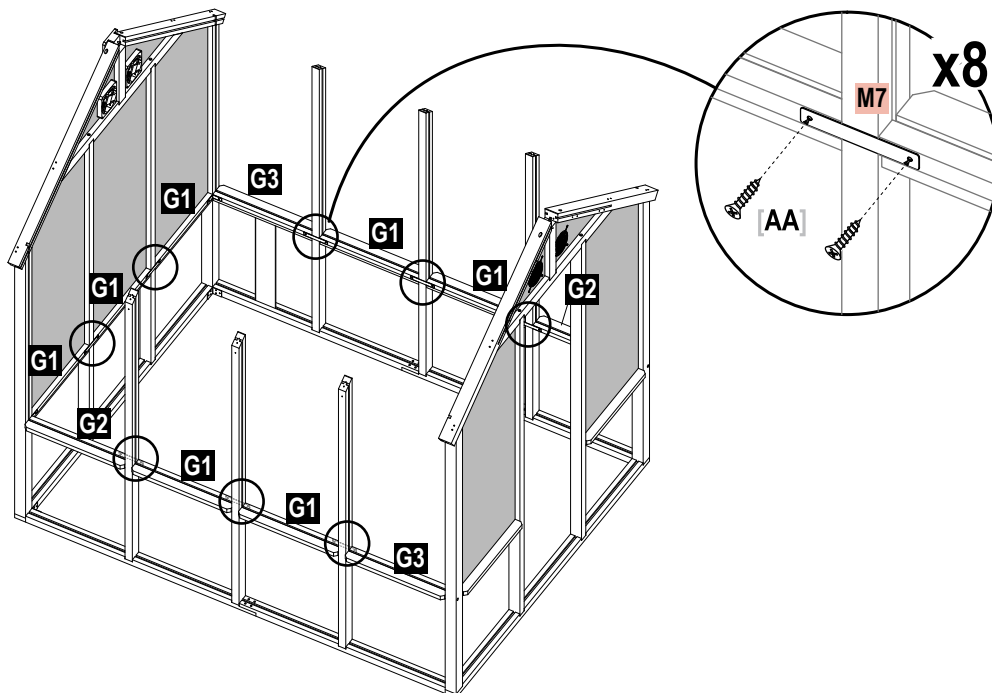
**STEP 26** Use two (2) [AA] bolts to attach Connector **M6** to **G1** and **G3**. Repeat with the other three (3) **M6** to **G1 G2** and **G1 G3**. Use six (6) [AA] bolts to attach Connector **M5** to **B1** and **B6**. Repeat with the other three (3) **M5** to **B1 B6** and **B1 B7**.

[AA] x 32



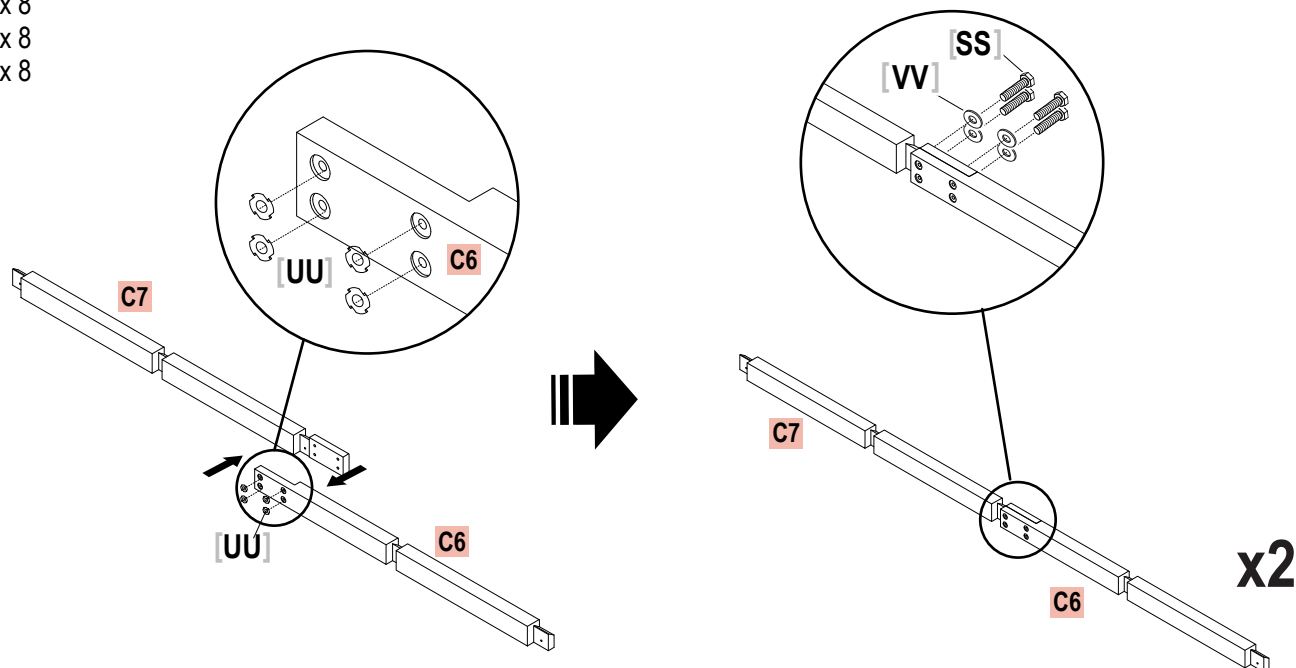
**STEP 27** Attach Connectors **M7** at each connection point between Window Ledges **G1/G2/G3**. Fasten with [AA] bolts.

[AA] x 16



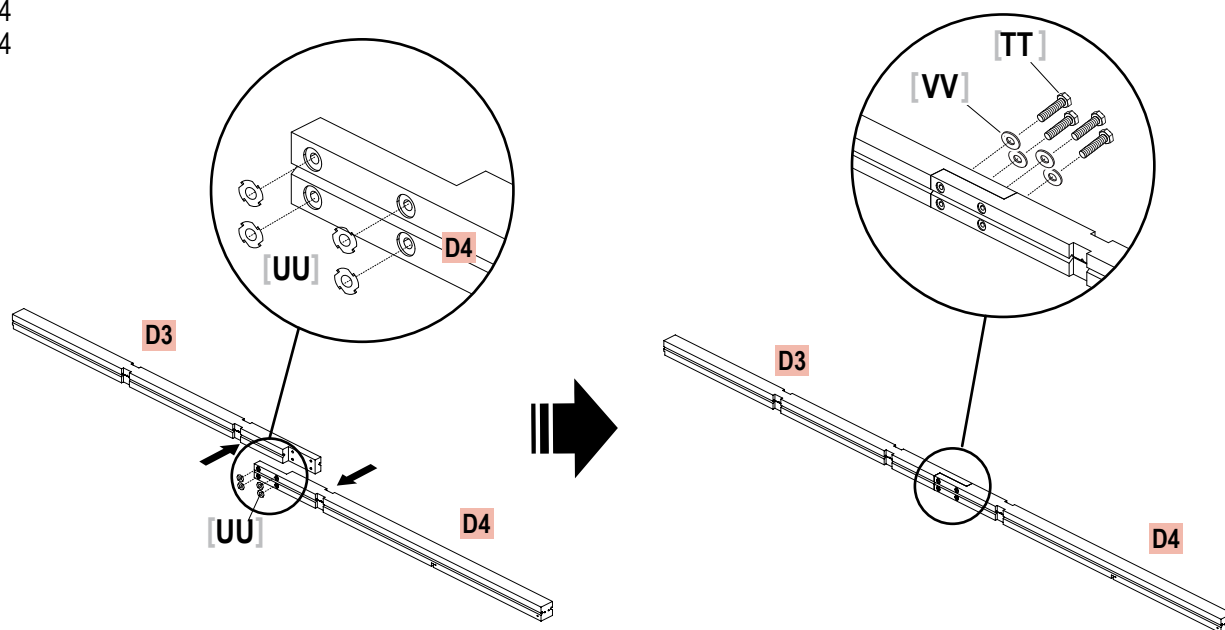
**STEP 28** Insert [UU] screw nuts into the pre-drilled holes of Cross Beam C6 as shown. Join parts C6 and C7 by aligning the notched ends. Secure the connection using [SS] bolts with [VV] washers. Repeat to make a second assembly.

[SS] x 8  
[VV] x 8  
[UU] x 8



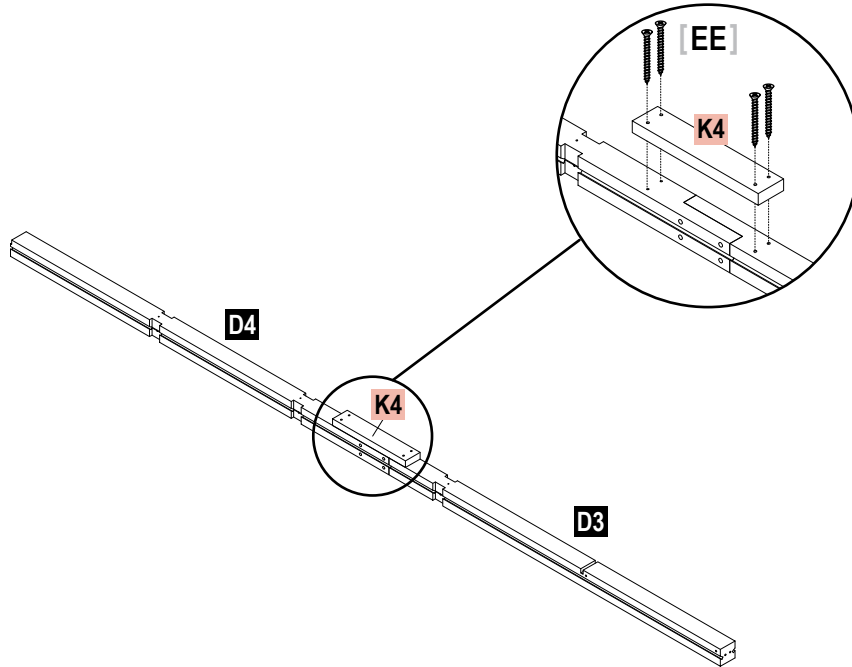
**STEP 29** Insert [UU] screw nuts into the pre-drilled holes of Roof Rib D4 as shown. Join parts D4 and D3 by aligning the notched ends. Secure the connection using [TT] bolts with [VV] washers.

[TT] x 4  
[VV] x 4  
[UU] x 4



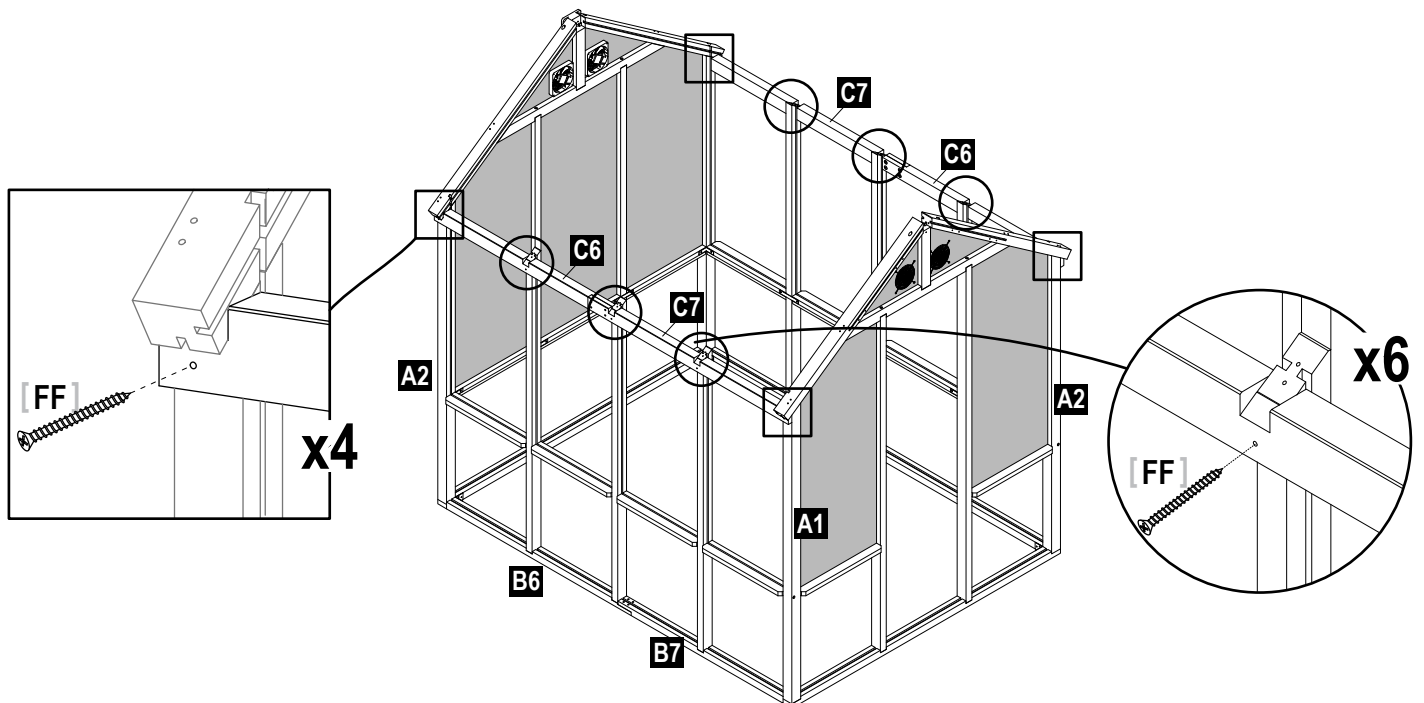
**STEP 30** Use four (4) [EE] bolts to attach Connecting Bracket **K4** to the connection of roof rib assembly **D3 D4**.

[EE] x 4

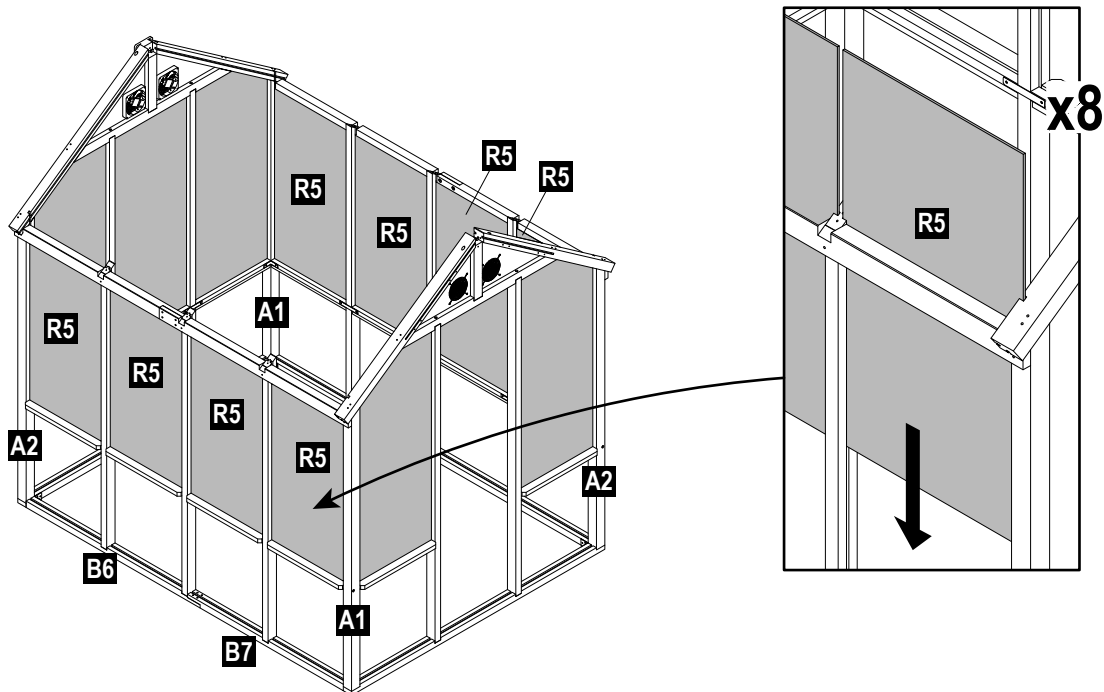


**STEP 31** Secure cross beam assembly **C6 C7** to each post and at both end supports using [FF] bolt at each hole. Repeat with the other assembly.

[FF] x 10

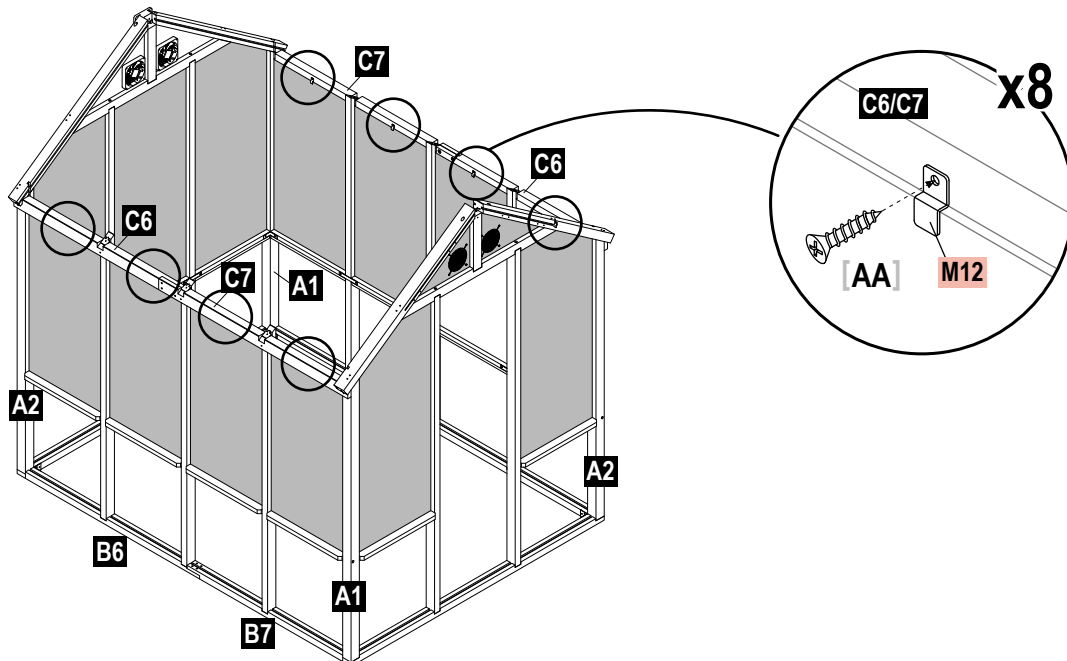


**STEP 32** Slide Roof Panel **R5** down into the grooves of posts until it sits on window ledges. Make sure the panels are fully inserted and aligned.



**STEP 33** Use one (1) **[AA]** bolt to attach Connector **M12** to cross beam assembly **C6 C7**. Repeat with the other seven (7) **M12**.

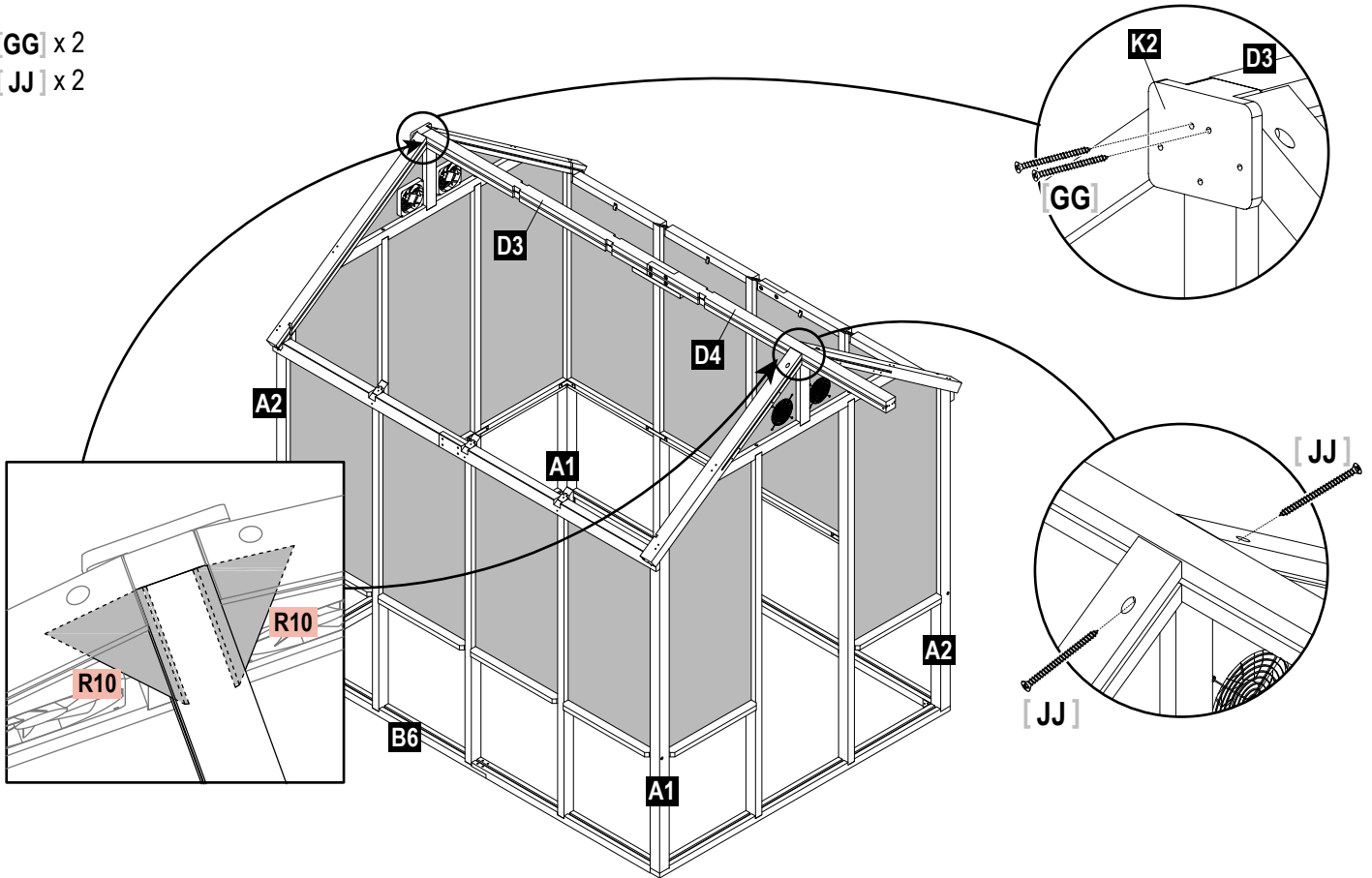
**[AA]** x 8



**STEP 34** Use two (2) [GG] bolts to attach Roof Rib **D3** to Connecting Bracket **K2**. Use two (2) [JJ] bolts to attach **D4** to **K3**. Use **R10** as a temporary alignment guide in the grooves.

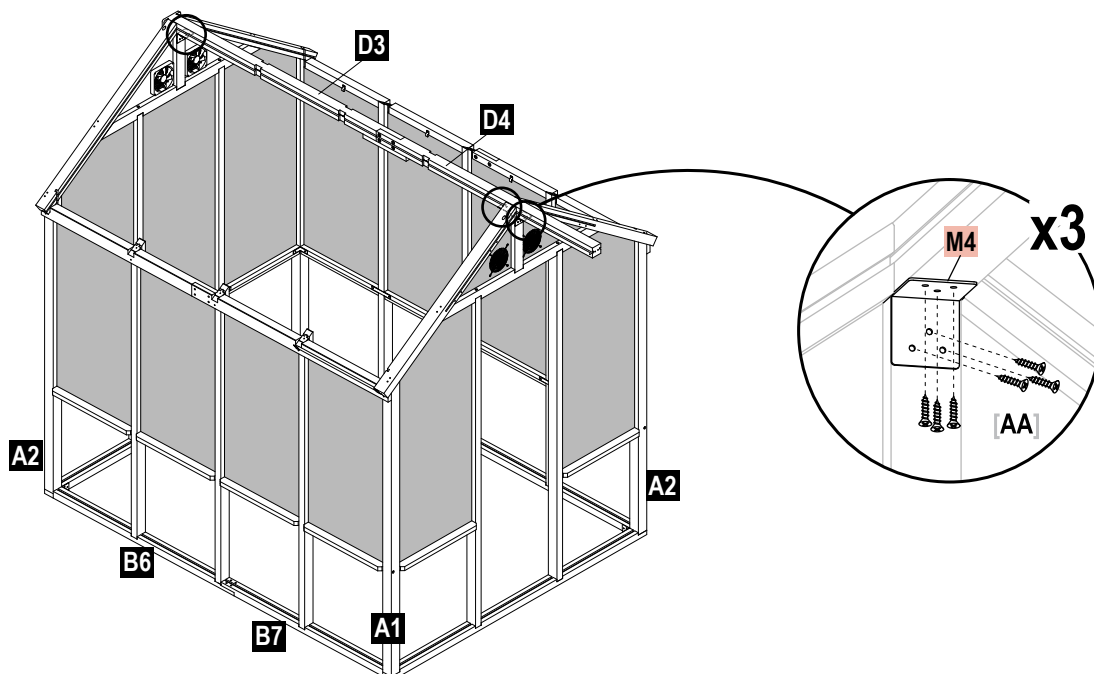
[GG] x 2

[JJ] x 2



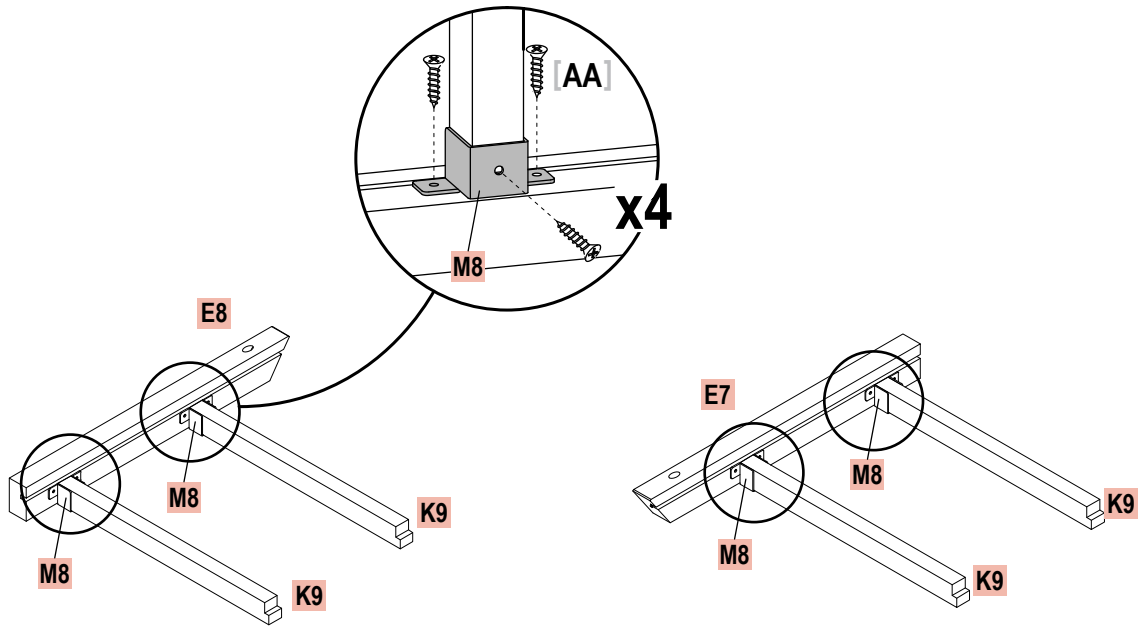
**STEP 35** Use six (6) [AA] bolts to attach Connector **M4** to Connecting Bracket **K3** and Roof Rib **D3**. Repeat with the other two (2) **M4** to **K3** and **D4**, with one Connector on the inner side and one on the outer side.

[AA] x 18

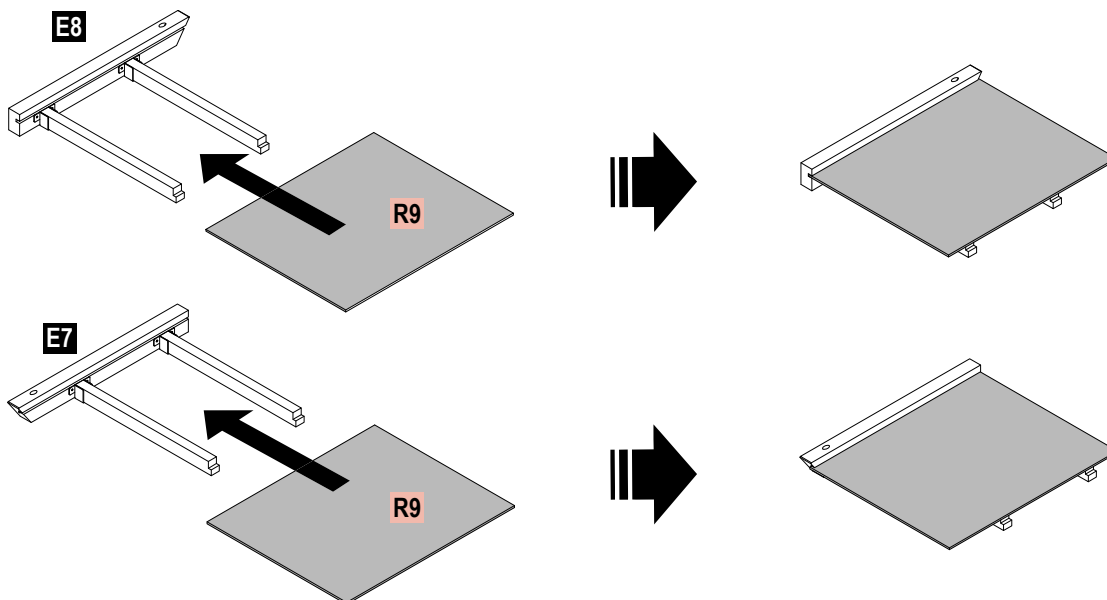


**STEP 36** Use three (3) [AA] bolts to attach Connecting Bracket **K9** to Herringbone Beam **E7** through Connector **M8**. Repeat with the other **K9**.  
Use three (3) [AA] bolts to attach Connecting Bracket **K9** to Herringbone Beam **E8** through Connector **M8**. Repeat with the other **K9**.

[AA] x 12



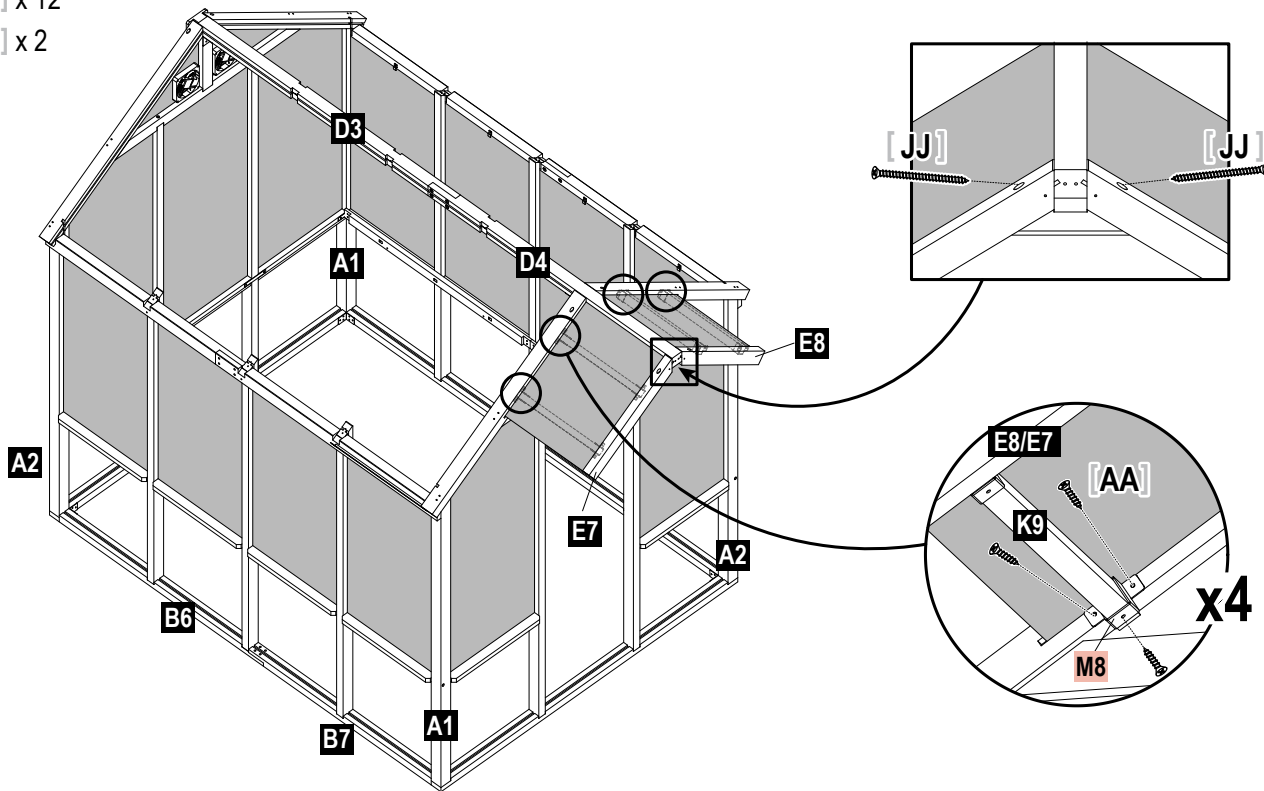
**STEP 37** Slide Roof Panel **R9** down into the grooves of herringbone beams. Make sure the panels are fully inserted and aligned.



**STEP 38** Insert the **E7 + R9** assembly into the groove of **D4** as shown. Repeat the same procedure with the **E8 + R9** assembly on the opposite side. Fasten the upper ends of beams **E7** and **E8** to Roof Rib **D4** using **[JJ]** bolts, as shown in the detail view. Secure each bracket **K9** to beams **E1** and **E2** through Connector **M8** with **[AA]** bolts.

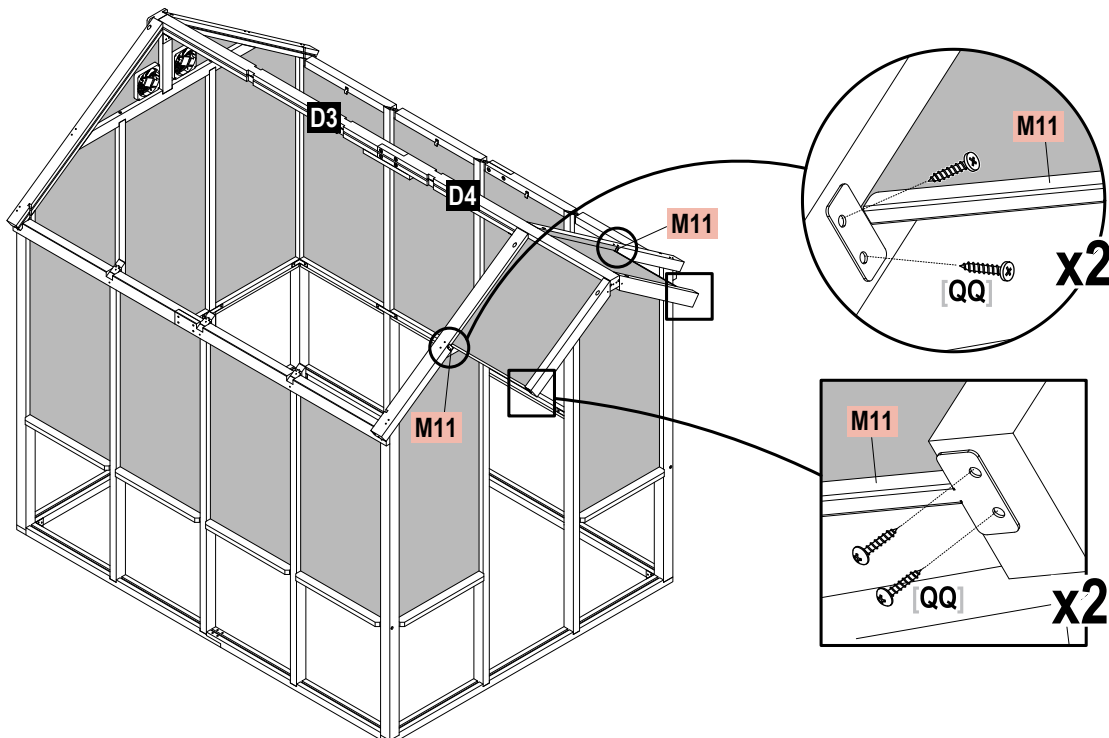
**[AA]** x 12

**[JJ]** x 2



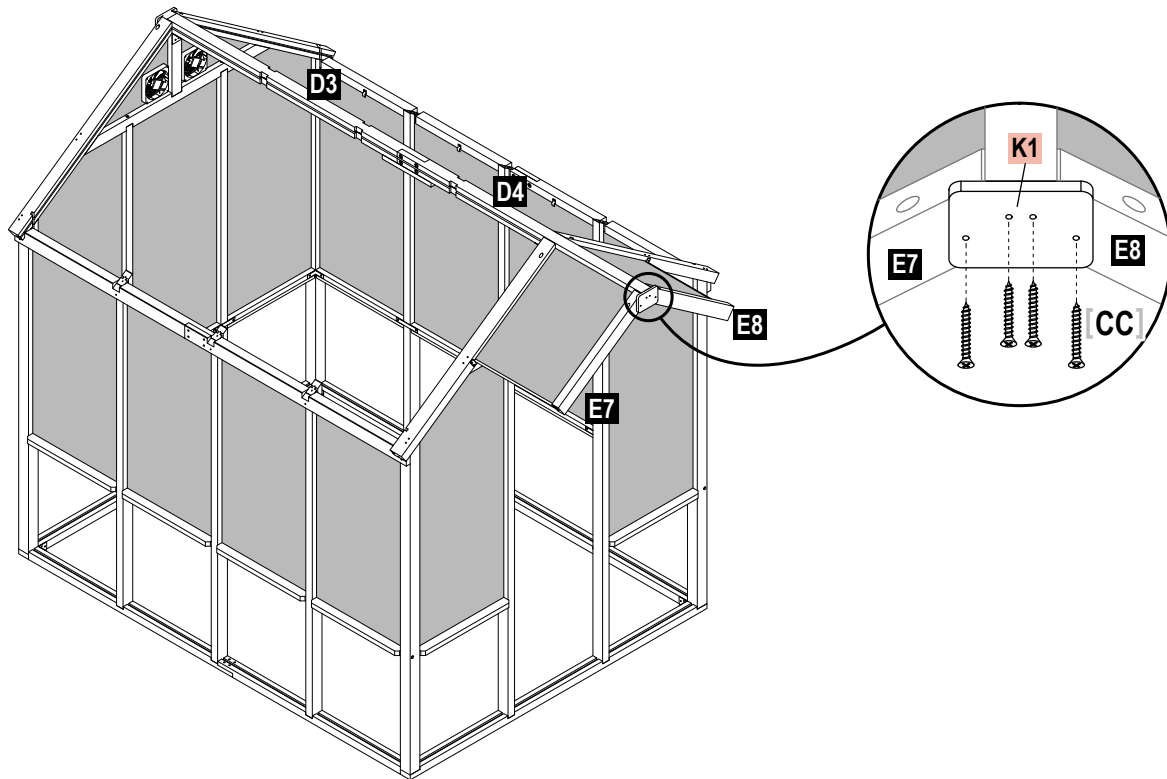
**STEP 39** Use two (2) **[QQ]** bolts to attach each end of Connector **M11** to Middle Cross Beam **E1, E2**, Herringbone Beam **E7** and **E8**.

**[QQ]** x 8



**STEP 40** Use four (4) [CC] bolts to attach Connecting Bracket **K1** to **D4**, **E7** and **E8**.

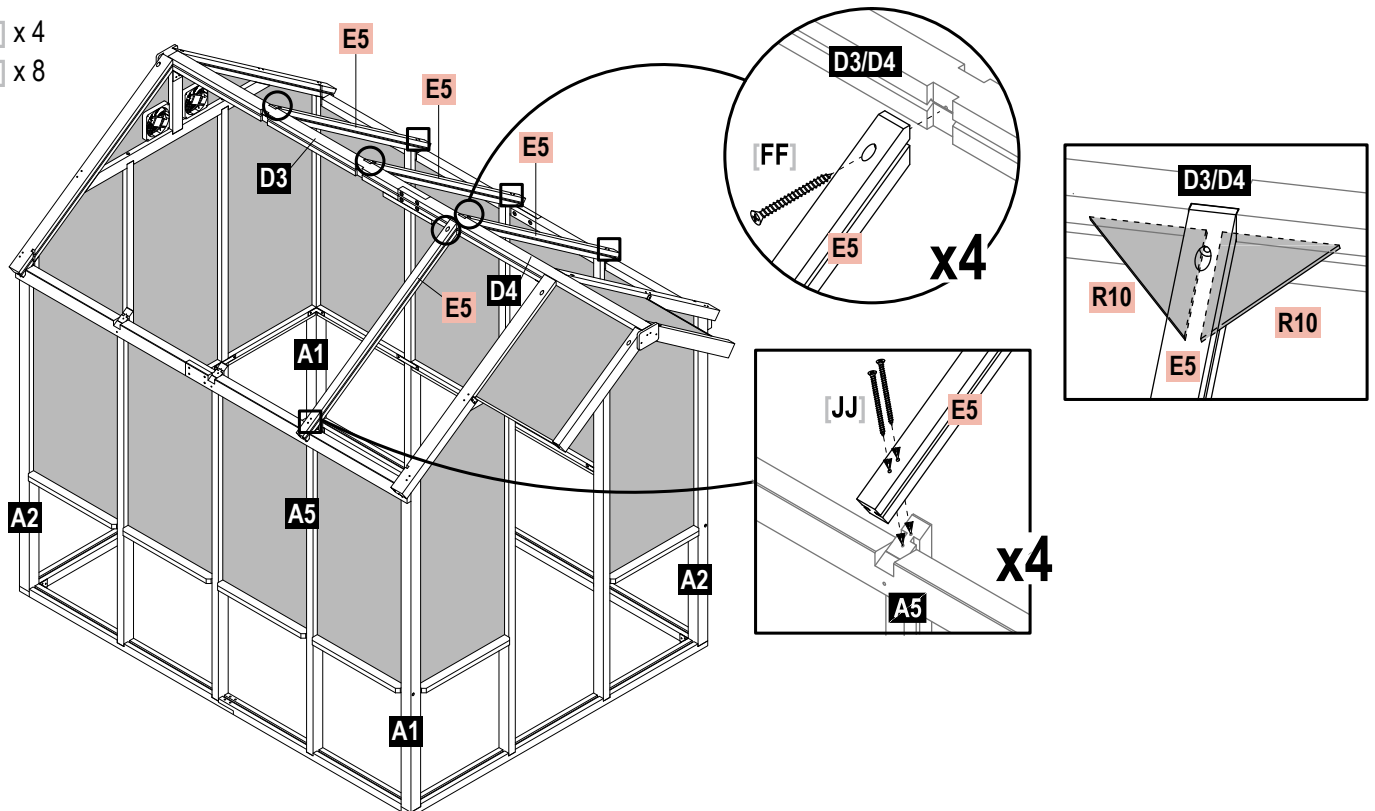
[CC] x 4



**STEP 41** Use one (1) [FF] bolt to attach the upper end of each Herringbone Support **E5** to post **A5**. Use two (2) [JJ] bolts to attach the lower end of each **E5** to roof rib assembly **D3 D4**. Use **R10** as a temporary alignment guide in the grooves.

[FF] x 4

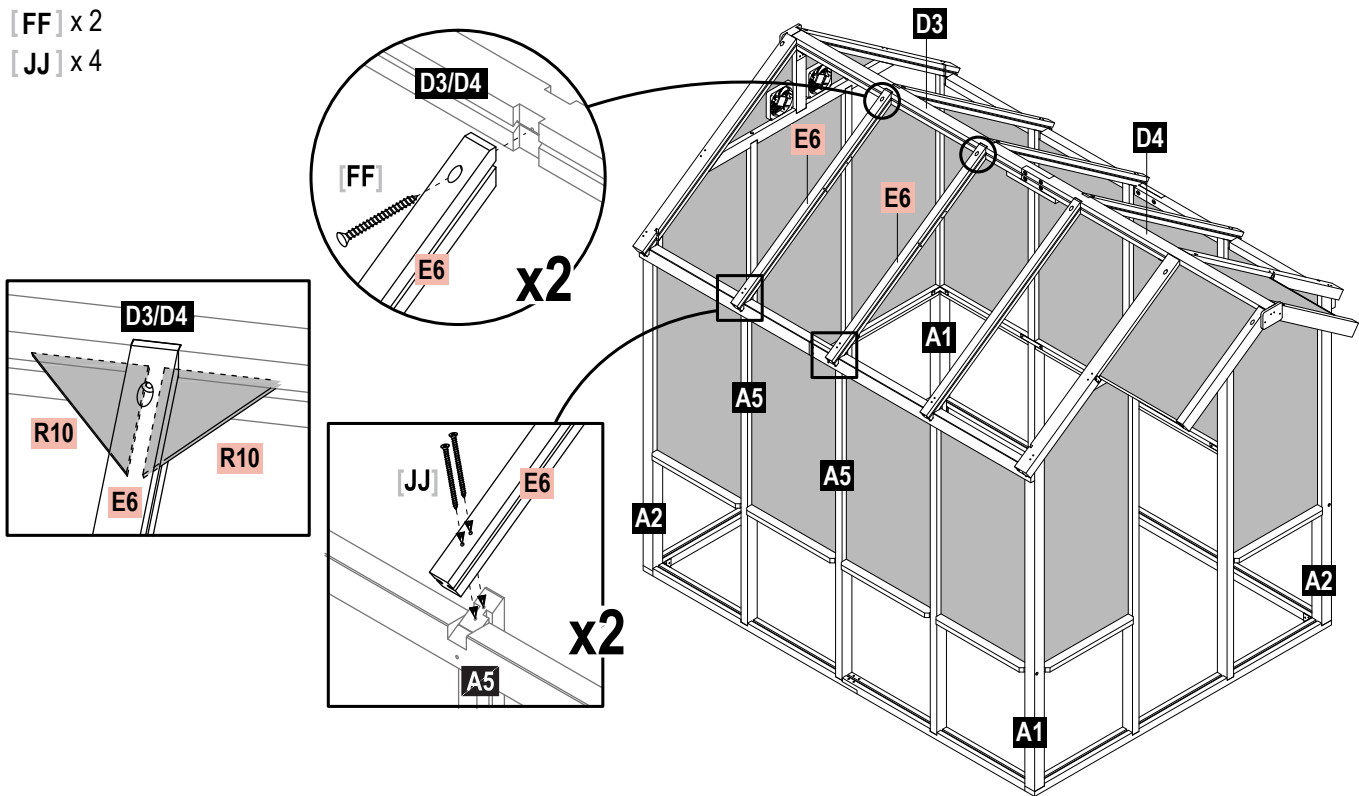
[JJ] x 8



**STEP 42** Use one (1) [FF] bolt to attach the upper end of each Herringbone Support **E6** to roof rib assembly **D3 D4**. Use two (2) [JJ] bolts to attach the lower end of each **E6** to post **A5**. Use **R10** as a temporary alignment guide in the grooves.

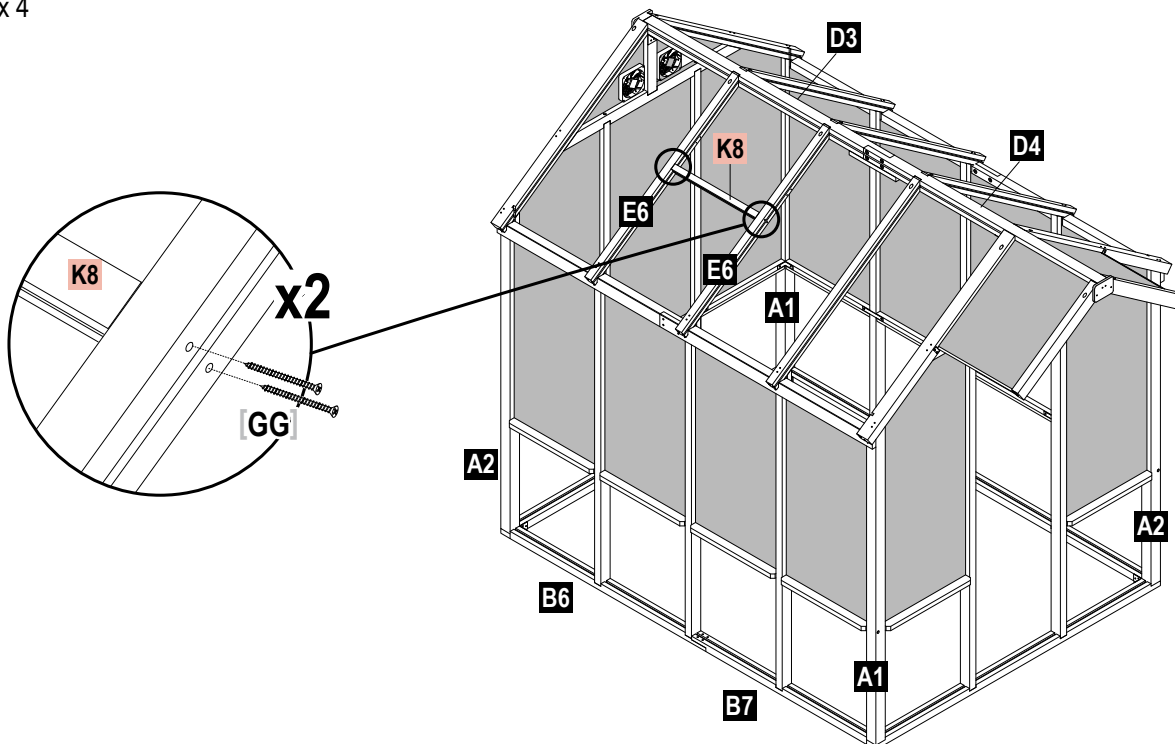
[FF] x 2

[JJ] x 4



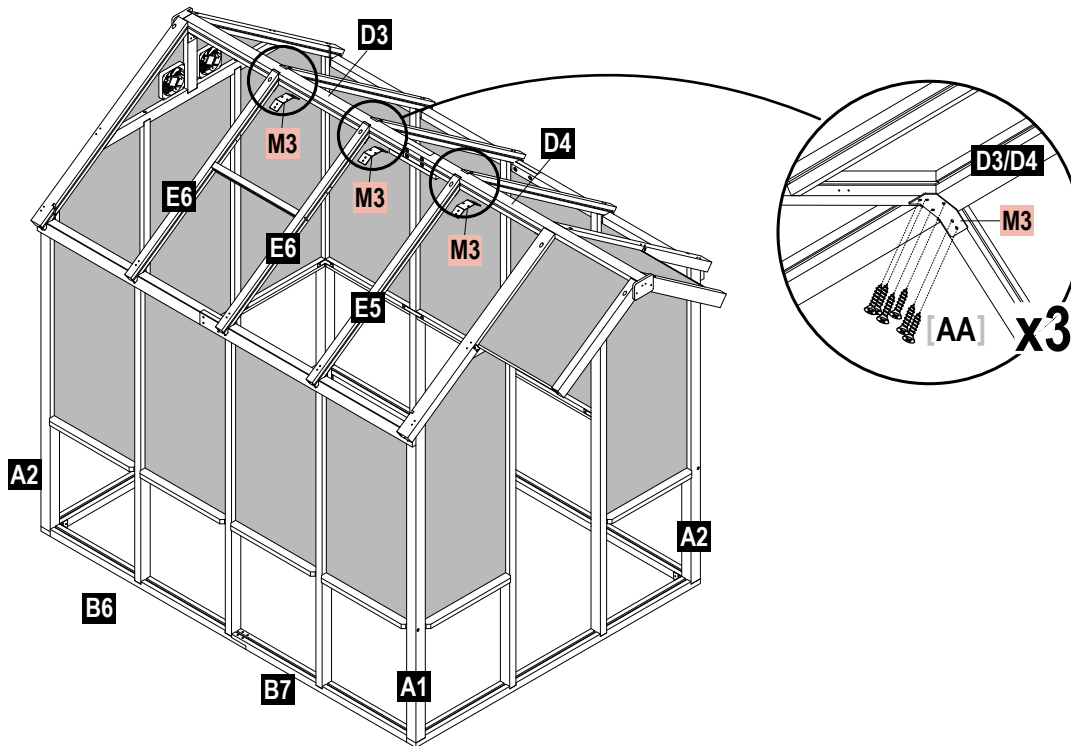
**STEP 43** Use two (2) [GG] bolts to attach each end of Connecting Bracket **K8** to **E6**. Use **R10** as a temporary alignment guide in the grooves.

[GG] x 4

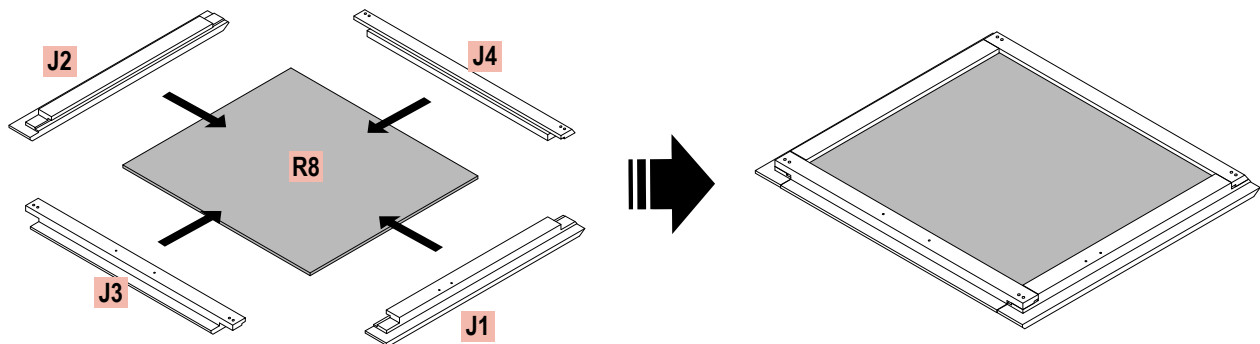


**STEP 44** Use six (6) [AA] bolts to attach each Connector **M3** to Herringbone Support **E5/E6** and roof rib assembly **D3 D4**.

[AA] x 18

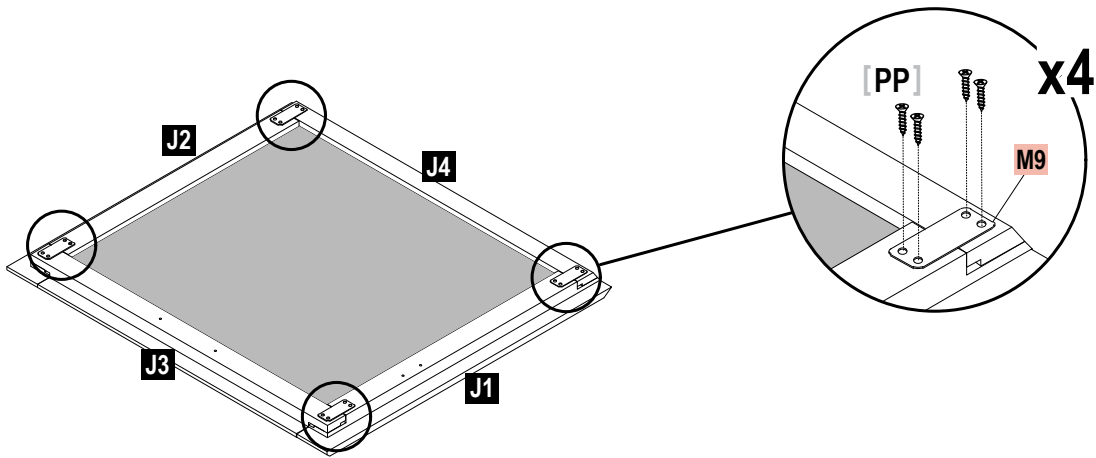


**STEP 45** Slide Roof Plate **R8** into Window Frame **J2** and **J1** as shown. Then install **J3** and **J4** to complete the frame around **R8**. Ensure all frame pieces are fully seated and aligned before proceeding.



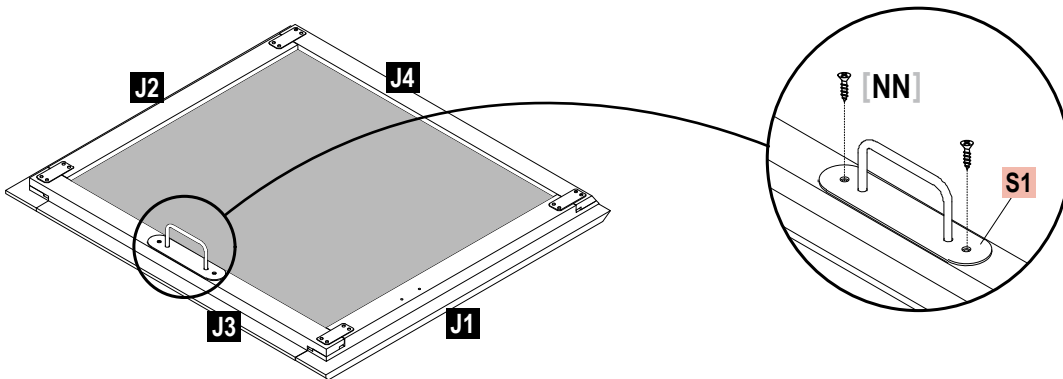
**STEP 46** Place one (1) Connector **M9** over the joint between the two frame pieces. Align the holes, then secure the connector using four (4) **[PP]** bolts. Repeat for all four corners.

**[PP]** x 16



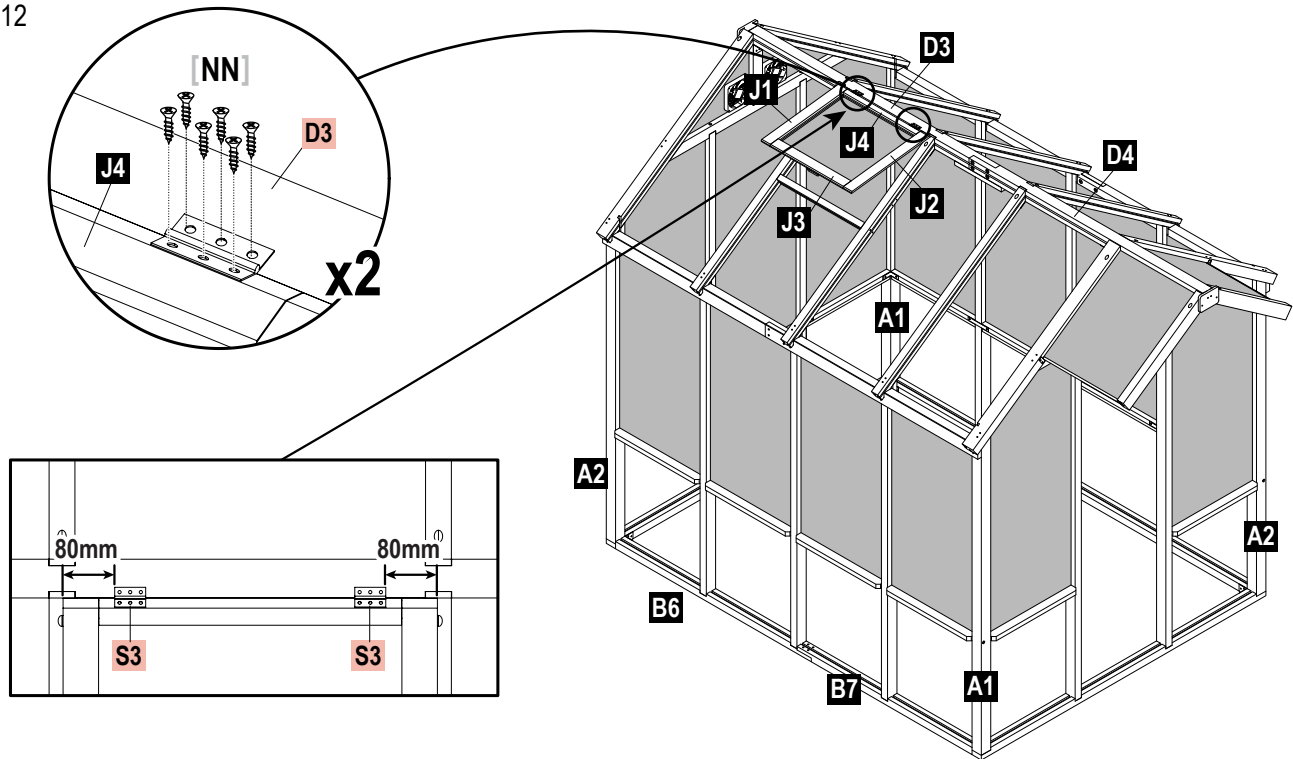
**STEP 47** Use two (2) **[NN]** bolts to attach Window Handle **S1** to Window Frame **J3**.

**[NN]** x 2



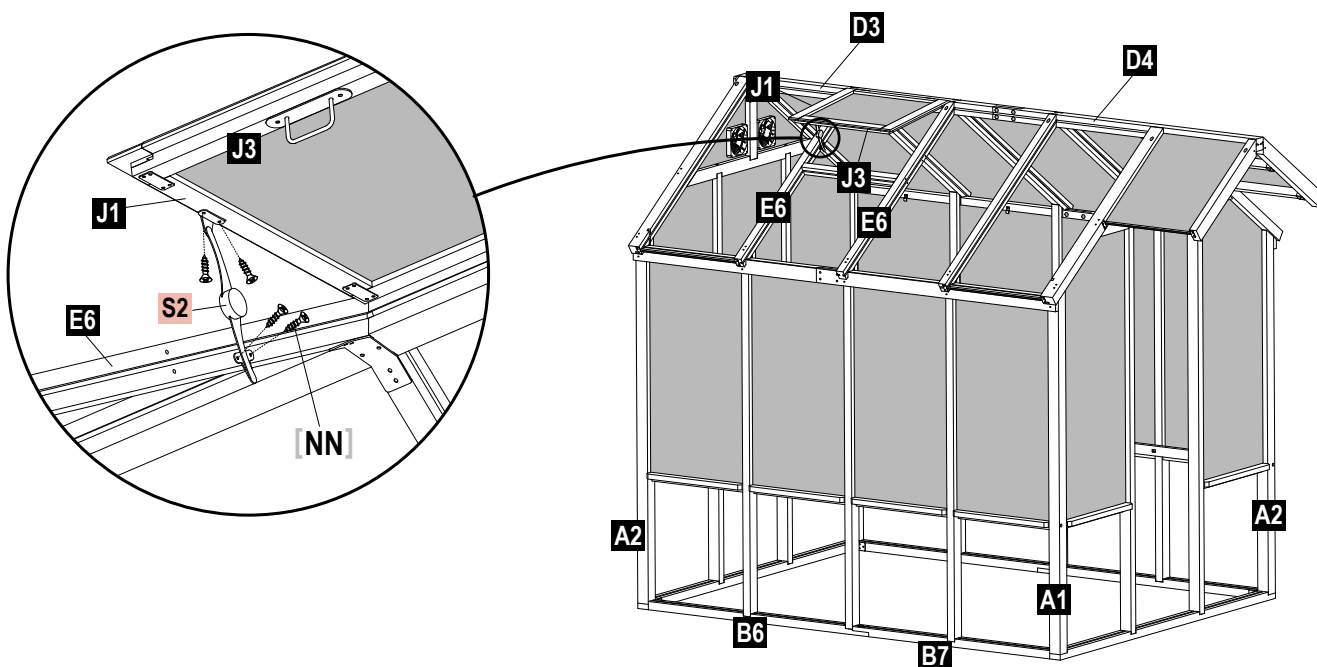
**STEP 48** Install the roof plate assembly (**J4** with **R9**) onto the roof frame. Position the assembly between the two rafters as shown, with **J4** aligned over **D3**. Place Window Hinge **S3** on top of **J4** at both ends. From each end of **J4**, measure 80 mm inward from the edge and align **S3** at that position. Secure each **S3** using **[NN]** bolts. Repeat on the opposite end.

**[NN]** x 12



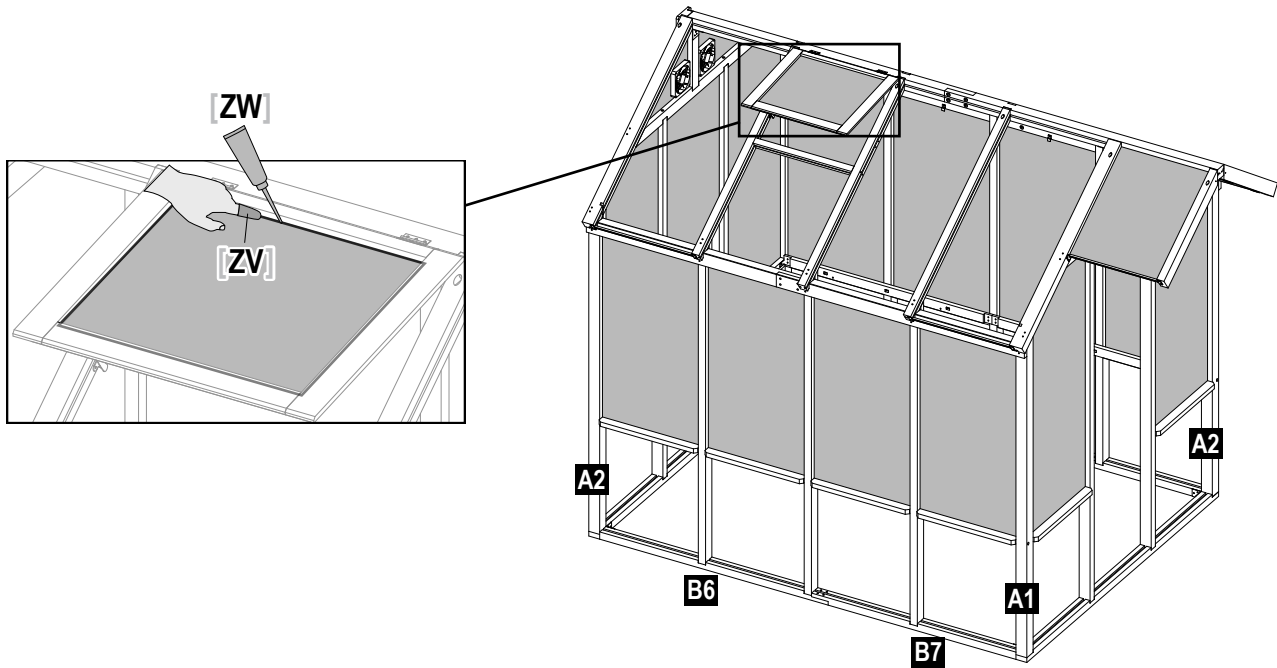
**STEP 49** Use two (2) **[NN]** bolts to attach the upper end of Skylight Hinge **S2** to Window Frame **J1**. Use two (2) **[NN]** bolts to attach the lower end of **S2** to Herringbone Support **E6**.

**[NN]** x 4



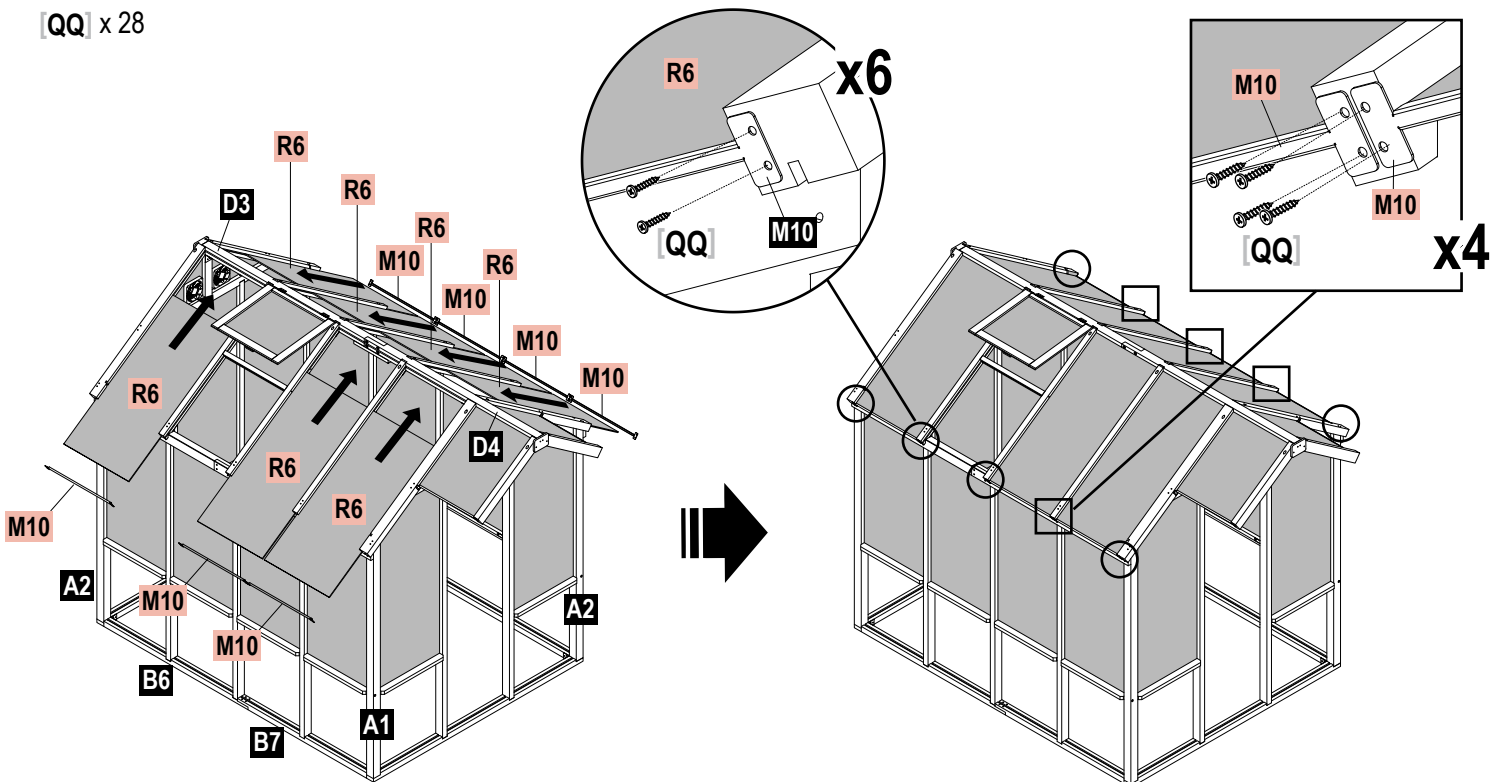
**STEP 50** Wear the [ZV] fingerstall before applying sealant.

Apply [ZW] kraft silicone adhesive evenly along the inner perimeter of the panel frame as shown. Ensure the adhesive bead is continuous with no gaps before installation.



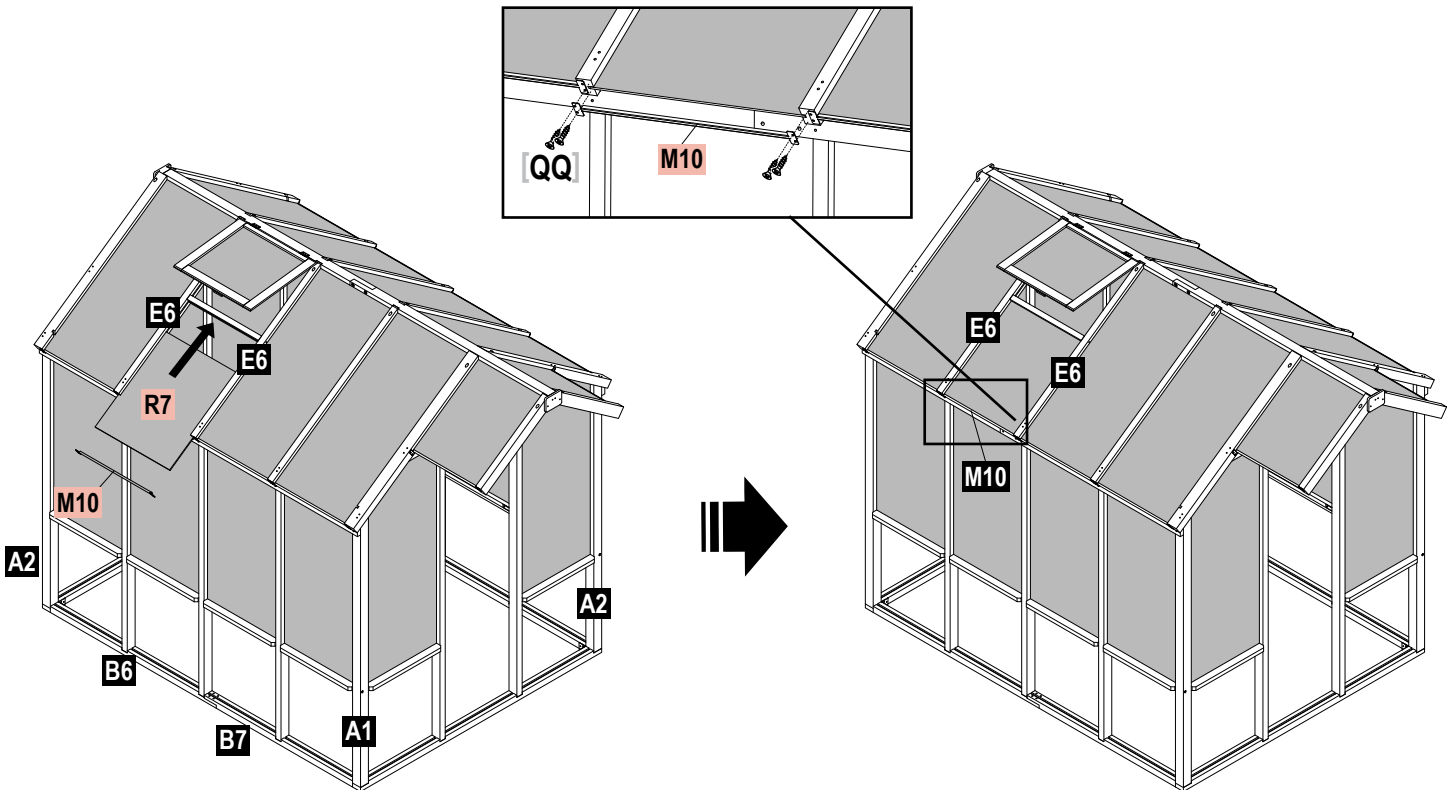
**STEP 51** Slide Roof Panel R6 up into the grooves of middle cross beams and herringbone support until it sits on the roof rib. Make sure the panel is fully inserted and aligned. Position Connector M10 along the lower edges of the roof plates. Use two (2) [QQ] bolts to secure each end of M10 to the frame. Repeat to install the remaining six (6) Roof Plates R6 and Connector M10 to the frame.

[QQ] x 28



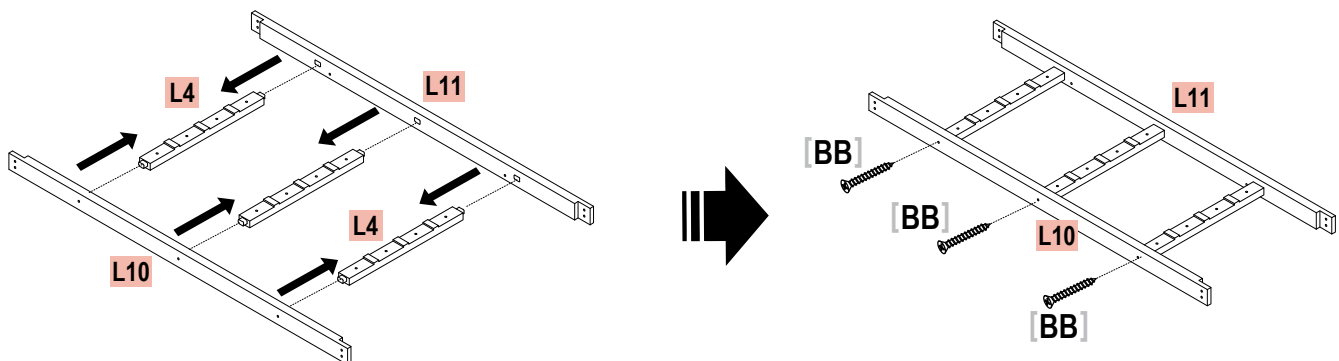
**STEP 52** Repeat step 51 to install Roof Plates **R7** and Connector **M10** to the frame.

**[QQ]** x 4



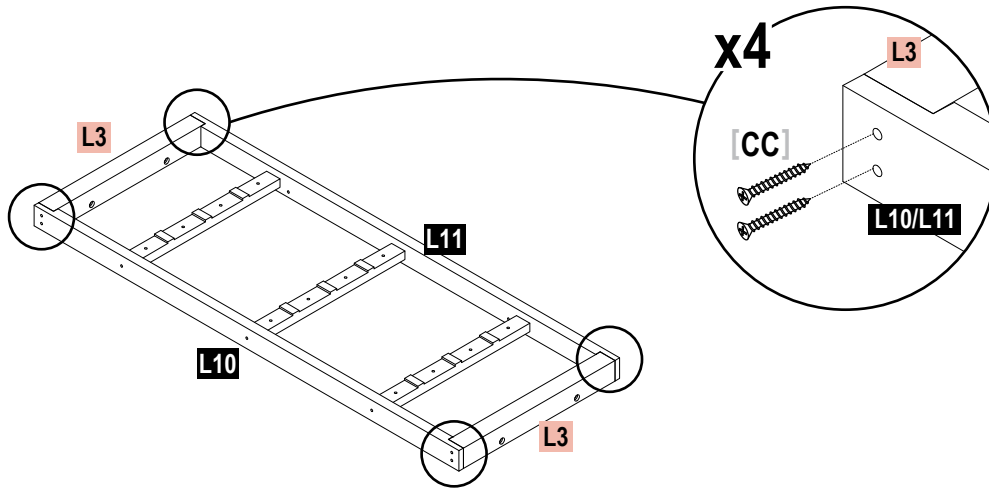
**STEP 53** Insert the three (3) Shelf Frame **L4** into the inner slots of **L10** and **L11** as shown. Make sure all **L4** are oriented in the same direction. Secure the assembly using three (3) **[BB]** bolts through **L10** into the ends of the **L4** supports.

**[BB]** x 3



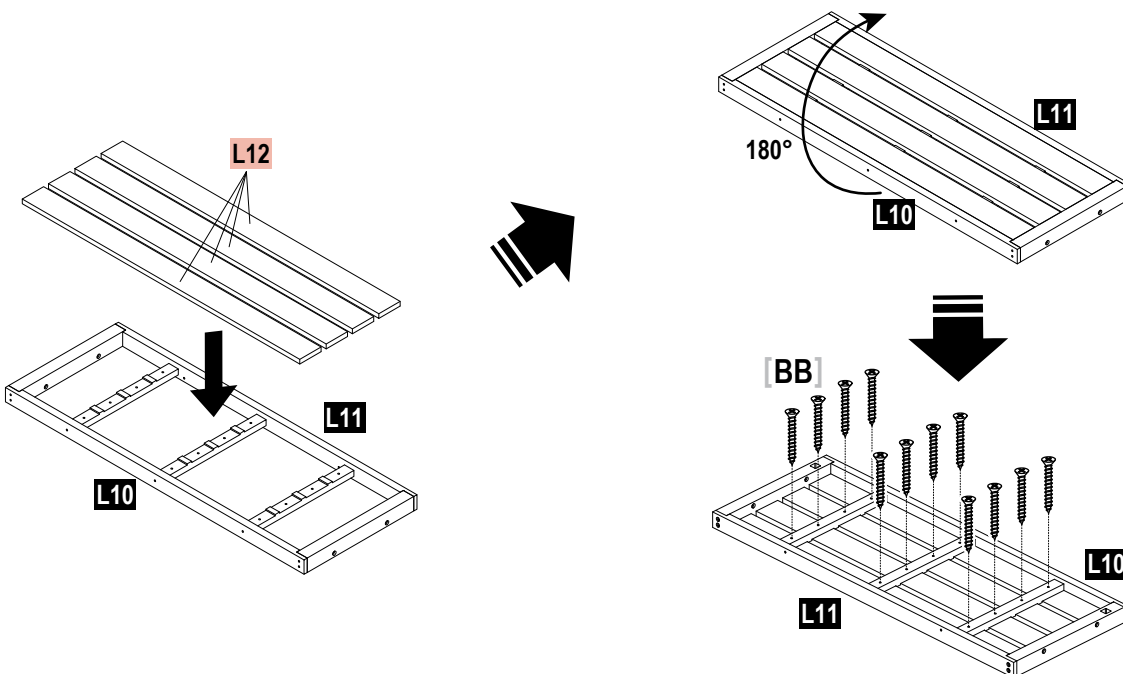
**STEP 54** Use two (2) [CC] bolts to attach each end of Shelf Frame L3 to L10 and L11. Repeat with the other L3. The pre-drilled holes on L3 must be positioned toward the bottom of the shelf frame, not upward.

[CC] x 8



**STEP 55** Place L12 on top of the shelf frame as shown. Then turn the entire shelf over (180°). Secure L12 to the frame using the [BB] bolts.

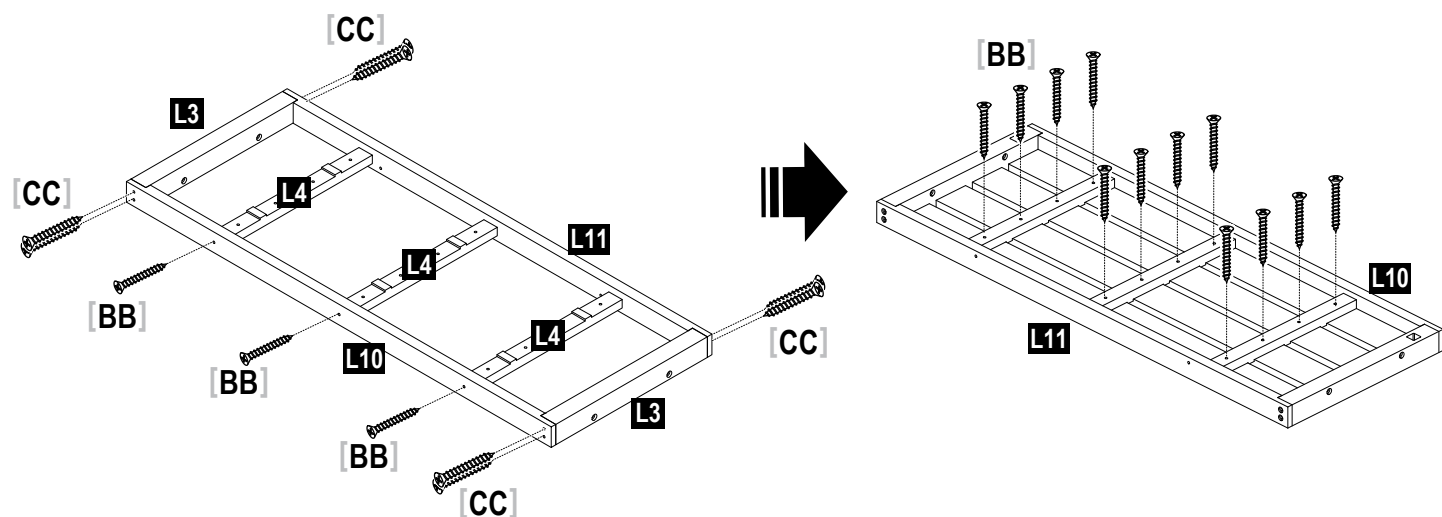
[BB] x 12



**STEP 56** Repeat step 53-55 to make a second shelf frame assembly.

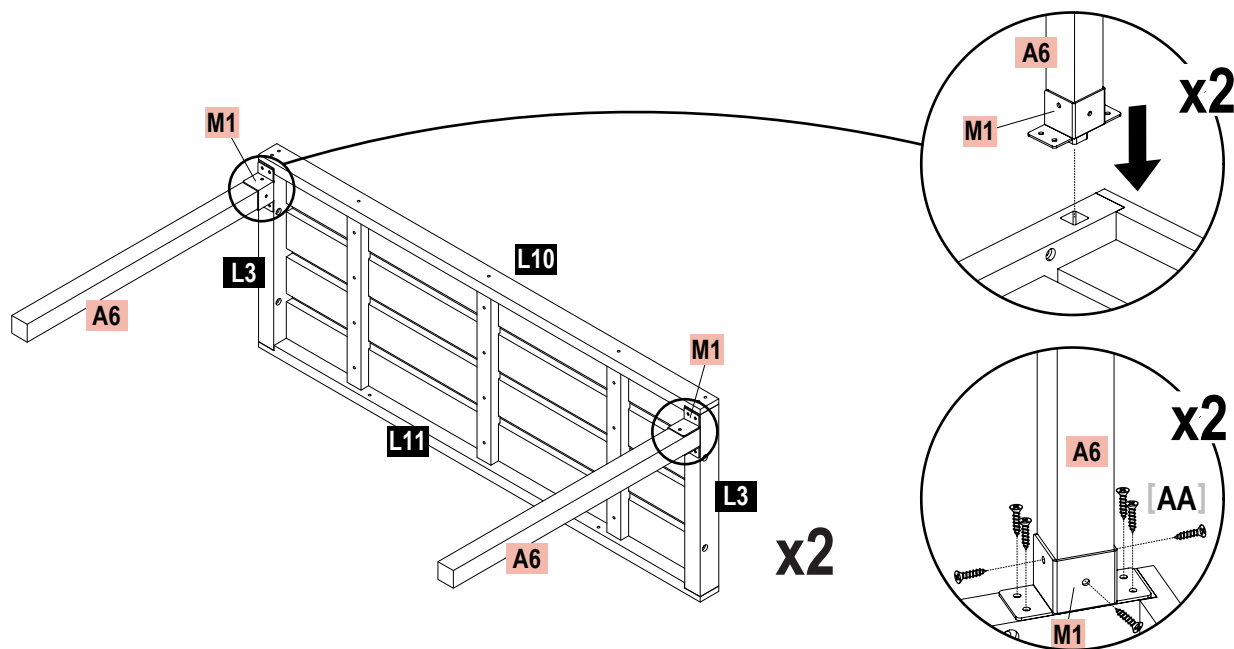
[BB] x 15

[CC] x 8



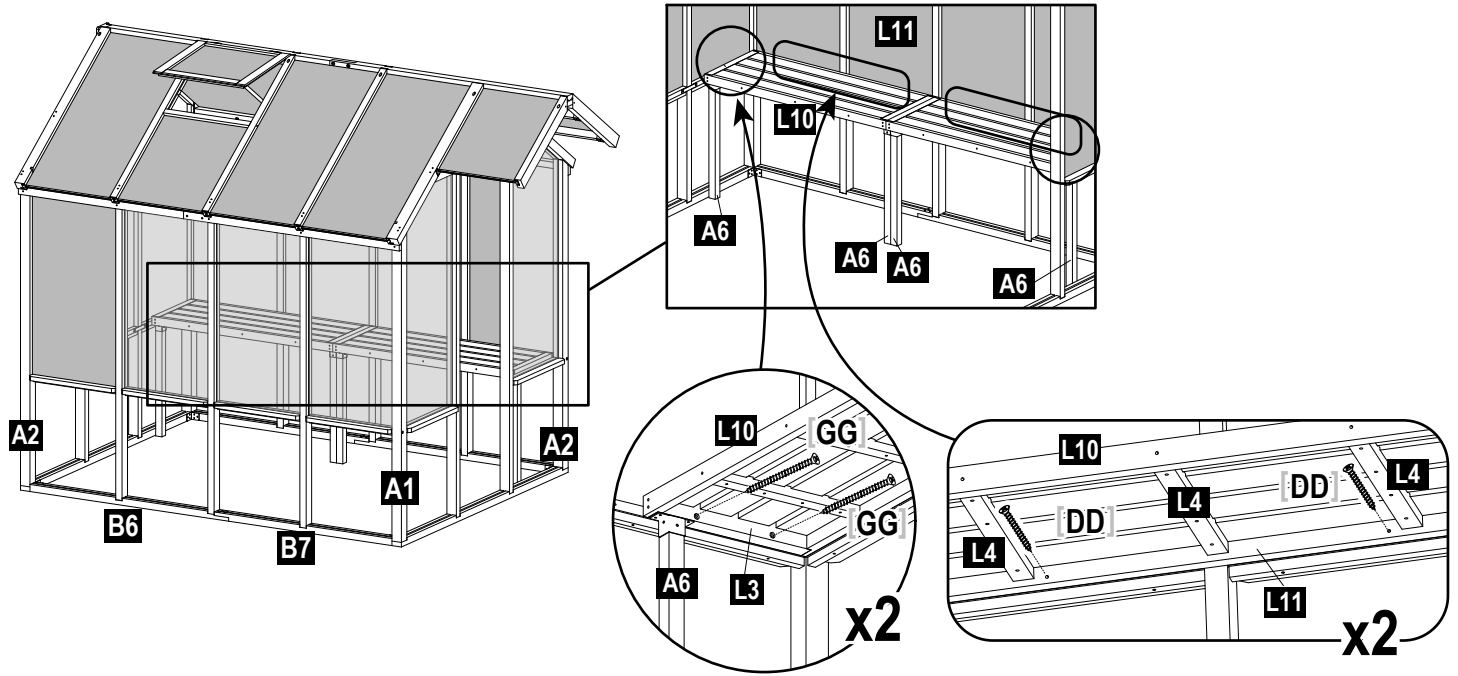
**STEP 57** Insert Post **A6** to Shelf Frame **L3**. Use seven (7) **[AA]** bolts to attach Connector **M1** to secure the post to the frame. Repeat with the other **A6** and **M1**. Repeat with the other assembly.

[AA] x 28



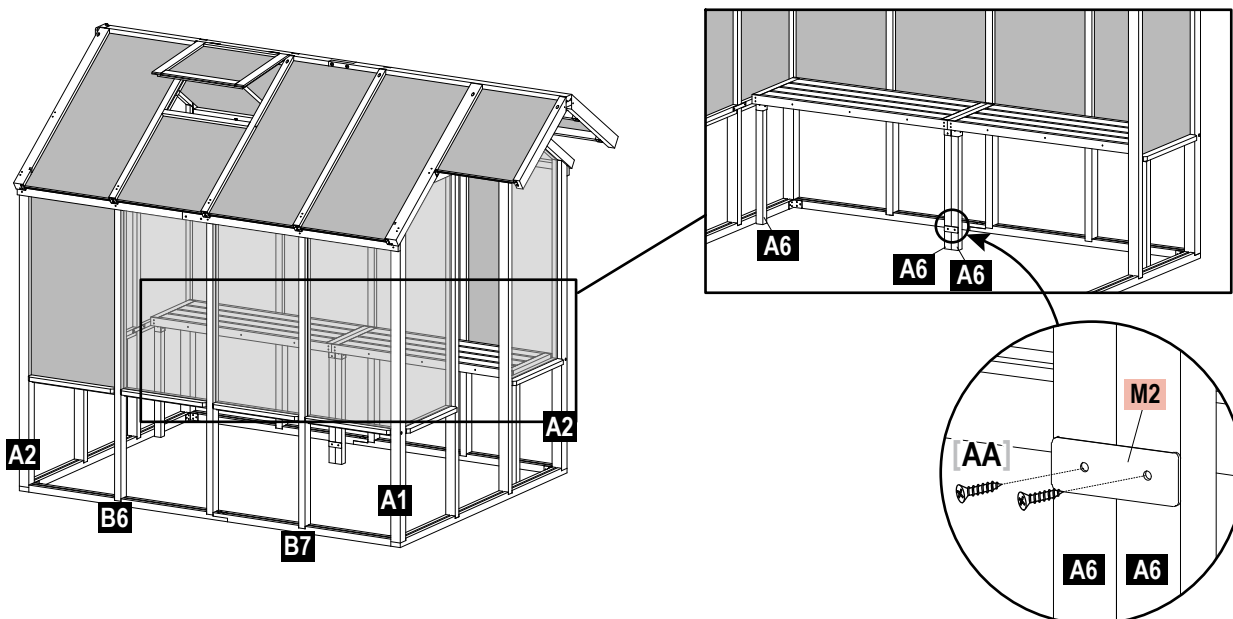
**STEP 58** Install the two shelf assemblies inside the greenhouse as shown. From underneath, align **L11** with **L3** and the window ledge **G1**. Insert two (2) **[GG]** bolts through **L3** into **L11** at each support location and tighten securely. Repeat for all support points. Align the mounting holes on **G1 / G2 / G3** with the greenhouse base frame. From the bottom side, insert one (1) **[DD]** bolt upward through each hole and tighten to fix the shelves to the structure.

- [GG]** x 4
- [DD]** x 4



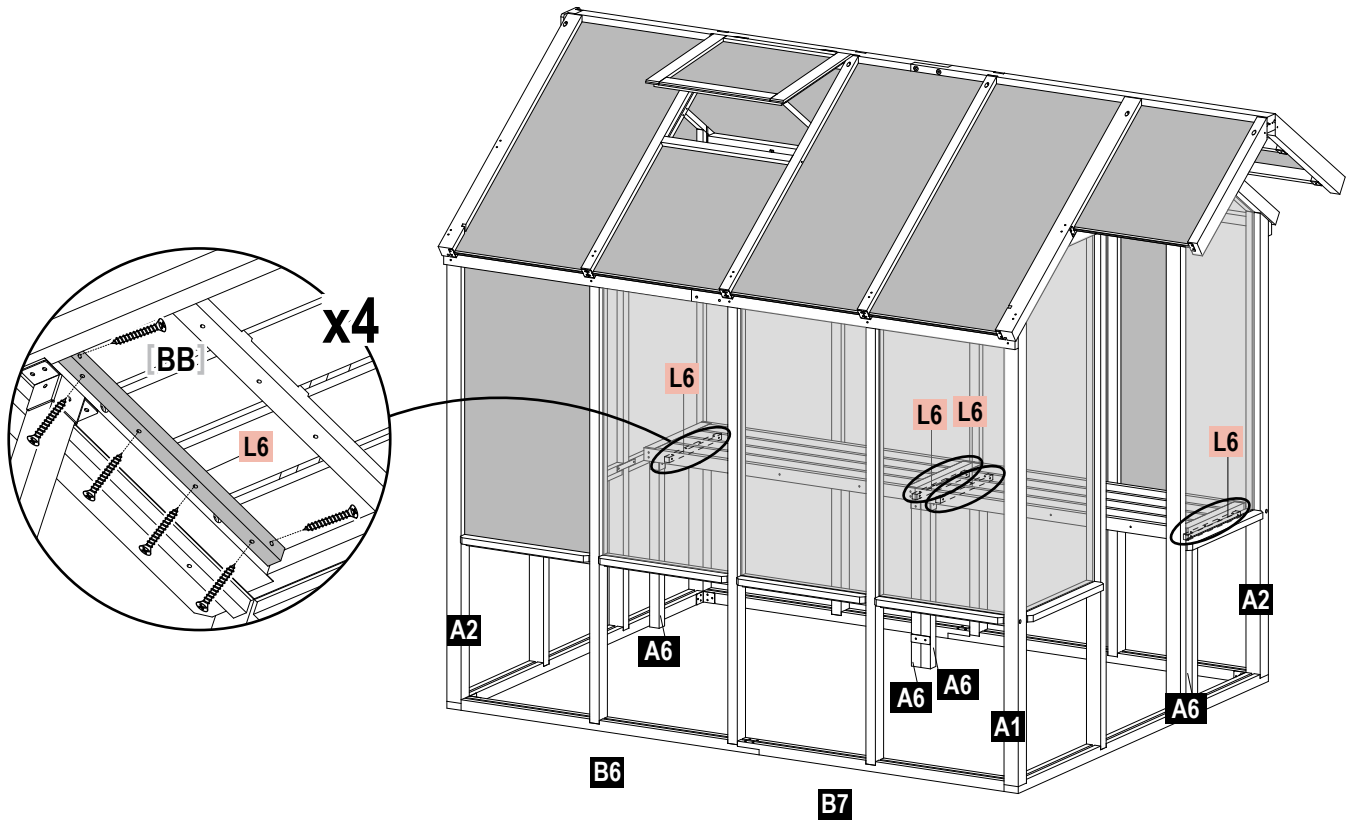
**STEP 59** Use Connector **M2** to connect two adjacent post **A6** on two shelf assemblies, secure with two (2) **[AA]** bolts.

- [AA]** x 2



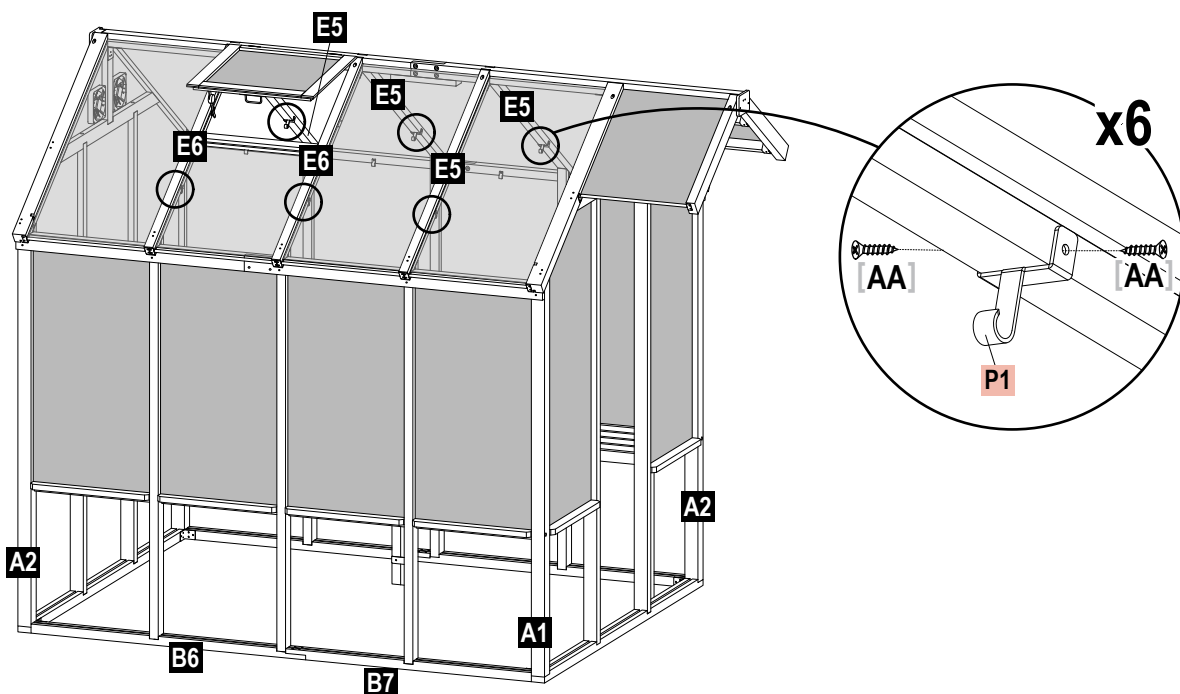
**STEP 60** Use four (4) [BB] bolts to attach one (1) Shelf Frame L6 to the side of shelf assembly. Repeat with the other three (3) L6.

[BB] x 24



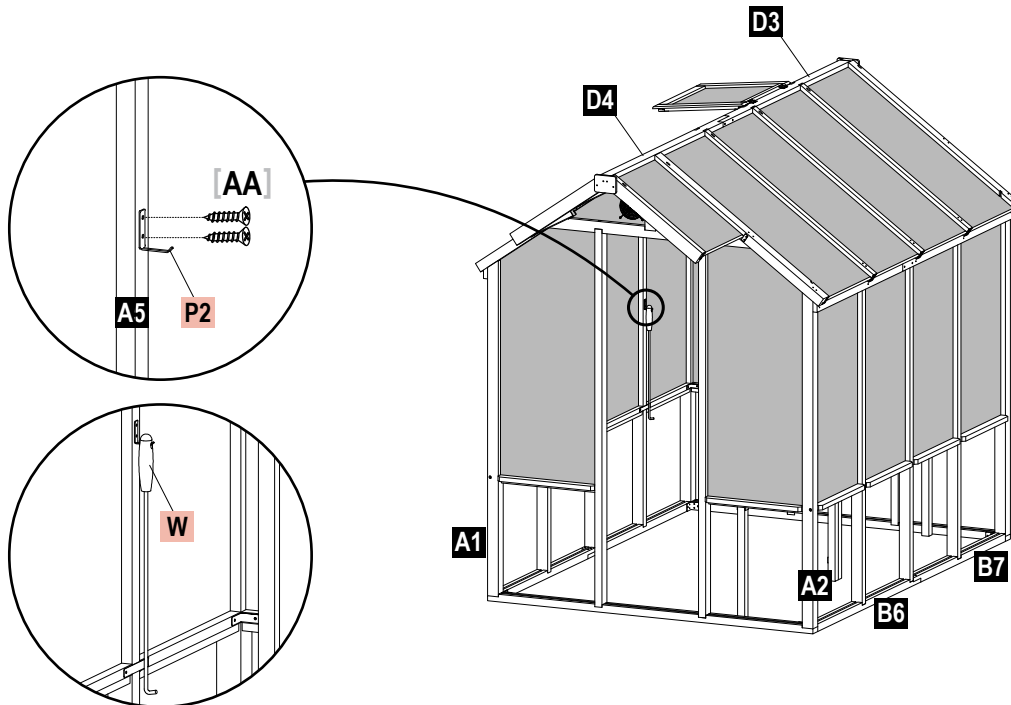
**STEP 61** Use two (2) [AA] bolts to attach one (1) Hook P1 to Herringbone Support E5/E6. Repeat with the other five (5) P1.

[AA] x 12



**STEP 62** Use two (2) [AA] bolts to attach Skylight Hook P2 to Post A5. Then hang Operating Rod W onto Hook P2.

[AA] x 2

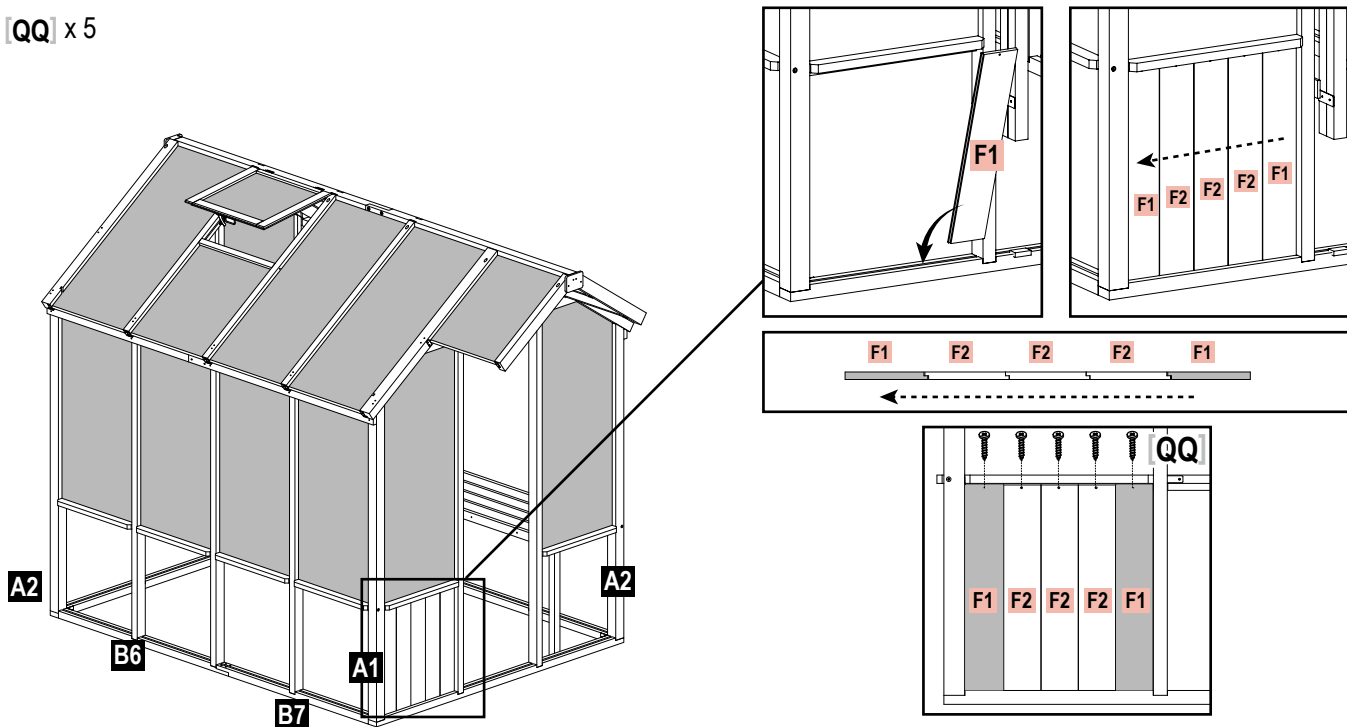


**STEP 63** Starting from the bottom, insert wooden panels into the grooves of B1 and G1. Install the first F1 panel, then slide in the F2 panels one by one, and finish with the last F1 panel.

Slide the outer wooden panels F1 tightly against posts A1 and A3. Leave an expansion gap between F1 and F2, and between each adjacent F2 panel.

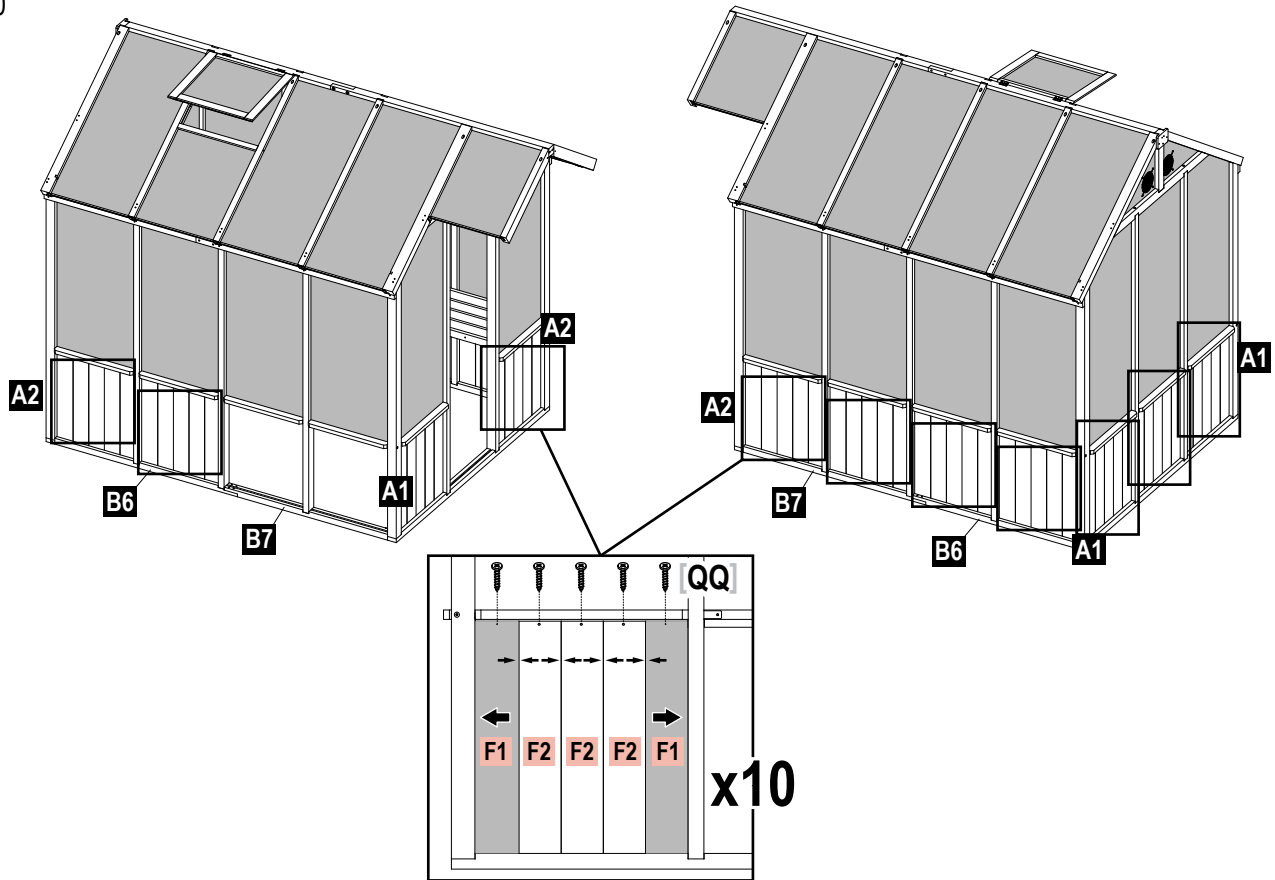
This gap allows for natural wood expansion and helps prevent deformation caused by moisture. Once all panels are properly positioned, secure F1 and F2 to K5 on ledge G1 using five (5) [QQ] bolts.

[QQ] x 5



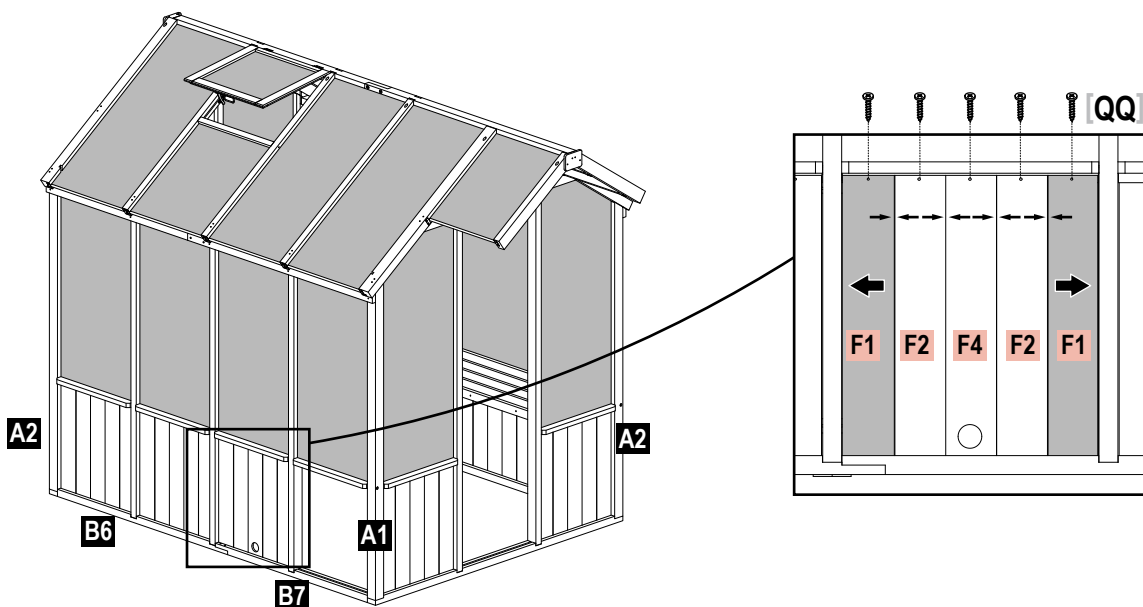
**STEP 64** Install the remaining Wooden Panels **F1** and **F2** onto the bottom frame of the greenhouse following Step 63. Leave two lower sections open on left side as illustrated.

[QQ] x 50



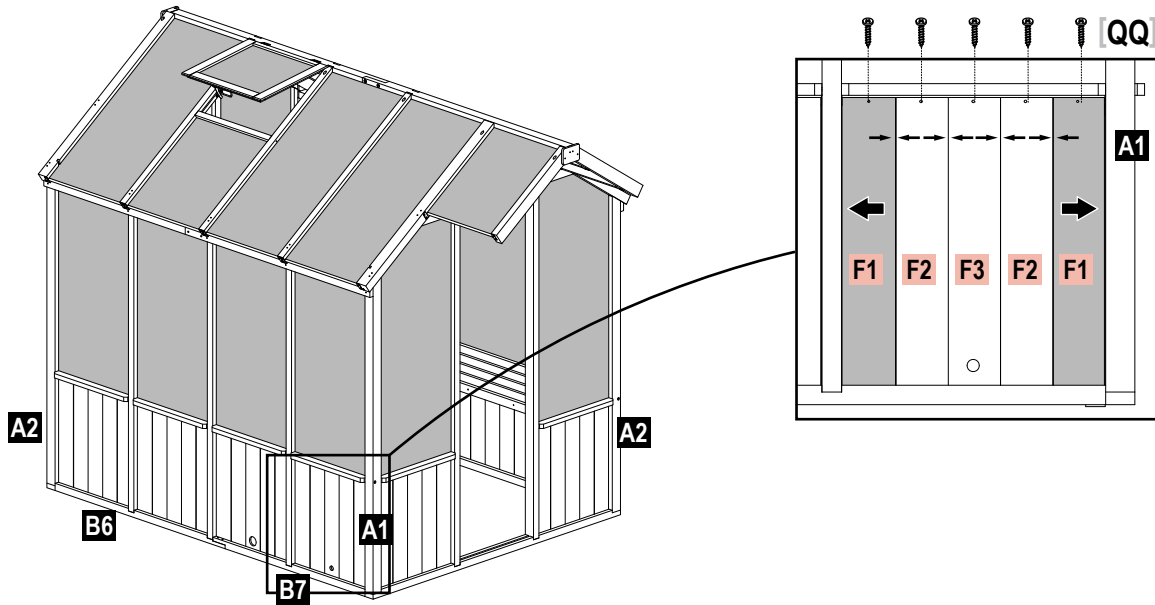
**STEP 65** Install **F1**, **F2**, and **F4** on the bottom frame using the same method as Steps 64. Install the panels in the left of two open sections.

[QQ] x 5



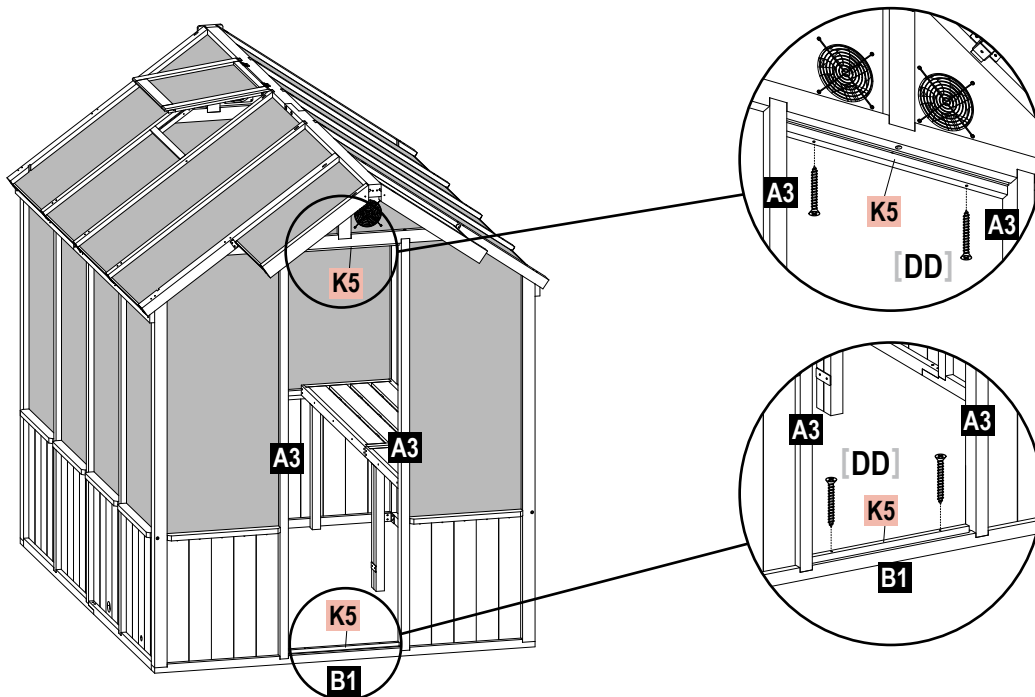
**STEP 66** Install **F1**, **F2**, and **F3** on the bottom frame using the same method as Steps 64. Install the panels in the right of two open sections.

**[QQ]** x 5



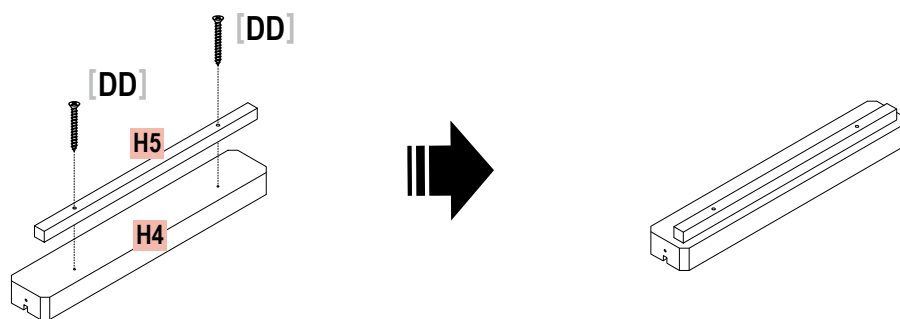
**STEP 67** At the positions shown, install **K5** between posts **A3** on the Ground Beam **B1** and the Cross Beam **C1**, then secure with four (4) **[DD]** bolts.

**[DD]** x 4



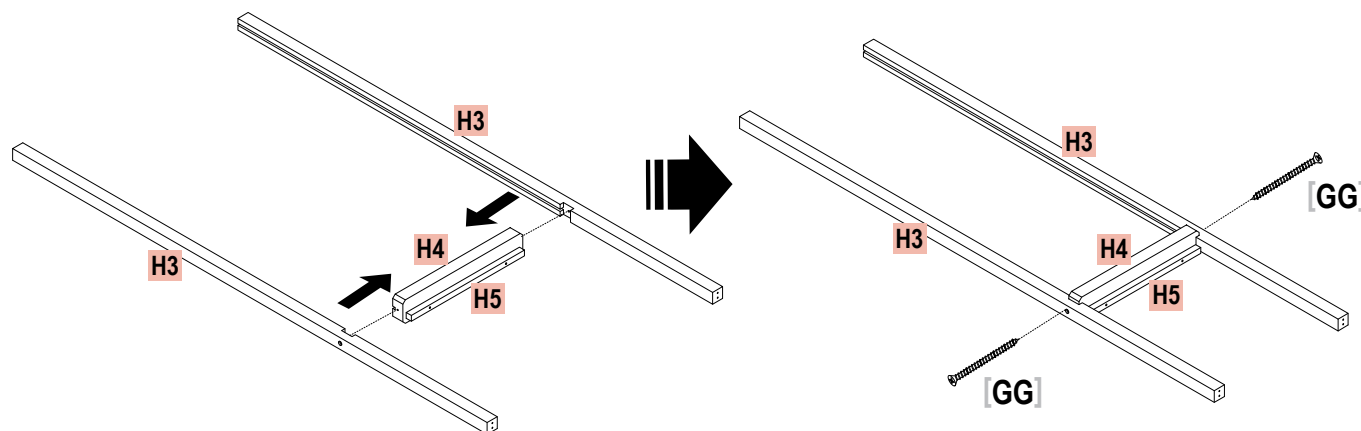
**STEP 68** Use two (2) [DD] bolts to attach Door Frame H5 to H4.

[DD] x 2



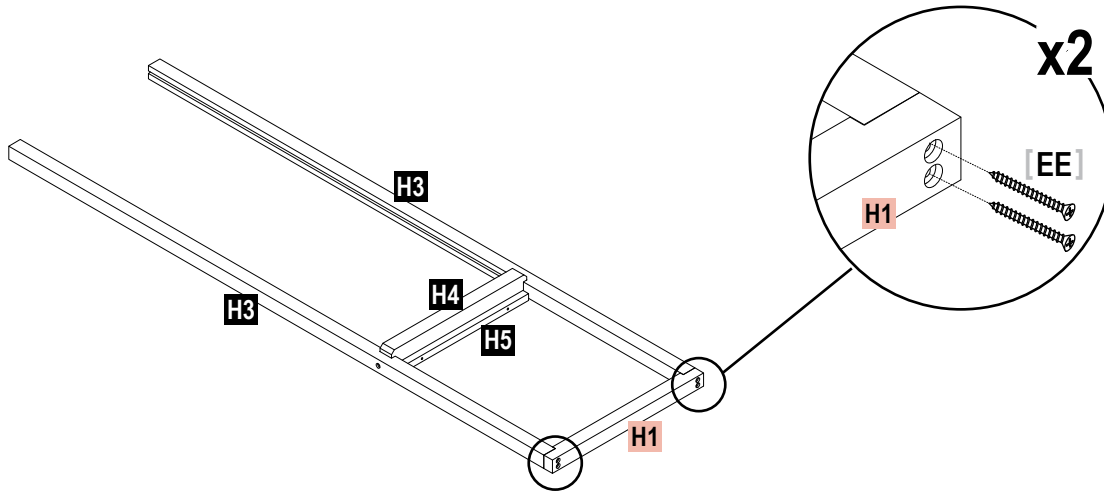
**STEP 69** Use two (2) [GG] bolts to secure Door Frame H4 to two (2) H3 on sides.

[GG] x 2



**STEP 70** Use four (4) [EE] bolts to attach Door Frame **H1** to the lower ends of **H3**.

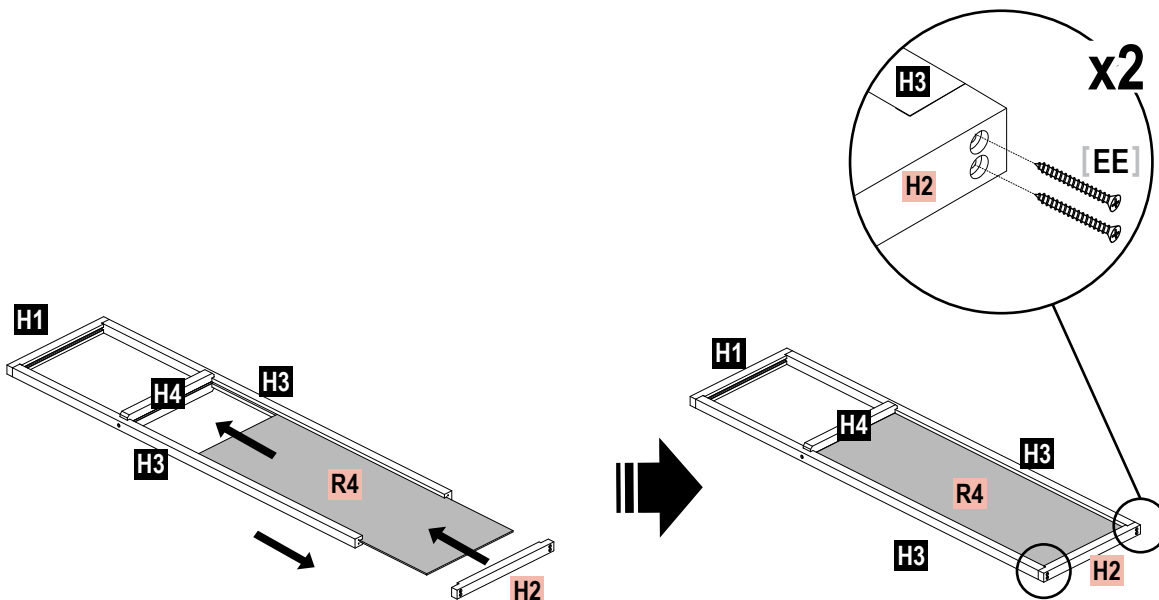
[EE] x 4



**STEP 71** Slide Roof Panel **R4** down into the grooves of door frames until it sits on **H4**. Make sure the panel is fully inserted and aligned.

Use four (4) [EE] bolts to attach Door Frame **H2** to the upper ends of **H3**.

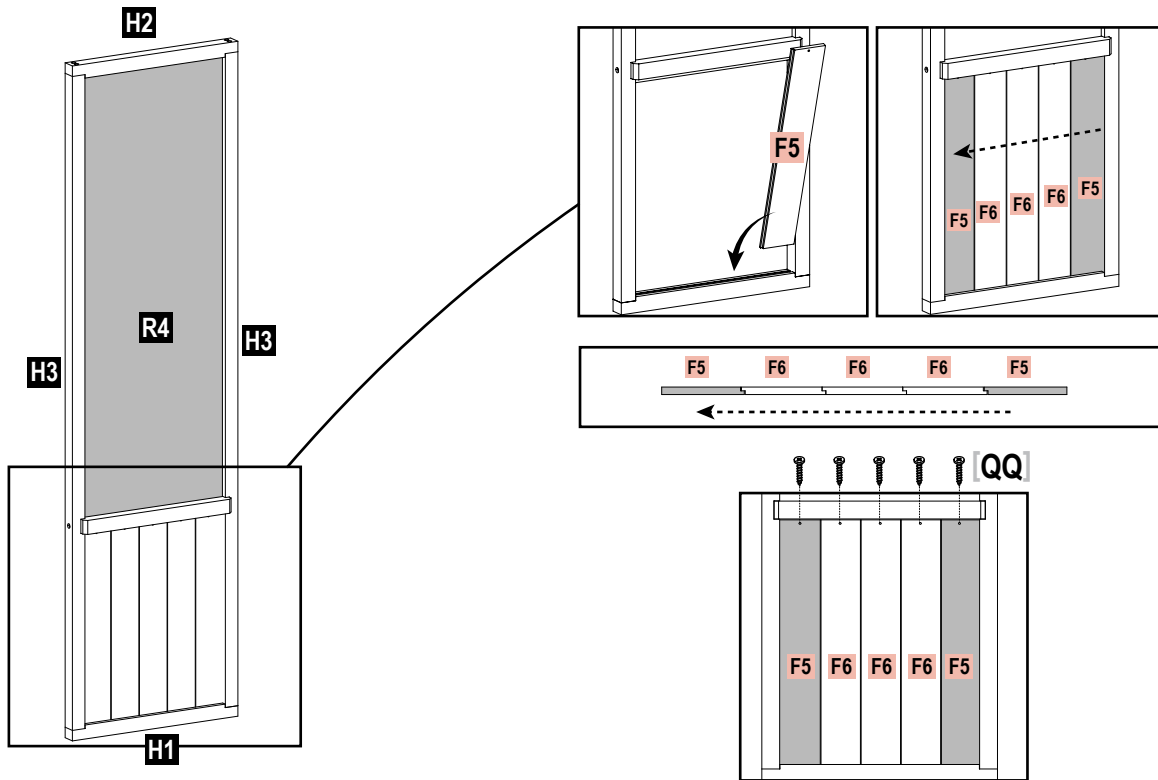
[EE] x 4



**STEP 72** Starting from the bottom, insert wooden panels into the grooves of **H1**. Install the first **F5** panel, then slide in the **F6** panels one by one, and finish with the last **F5** panel. Ensure the stepped edges are oriented correctly. Slide the outer wooden panels **F5** tightly against frame **H3**. Leave an expansion gap between **F5** and **F6**, and between each adjacent **F6** panel.

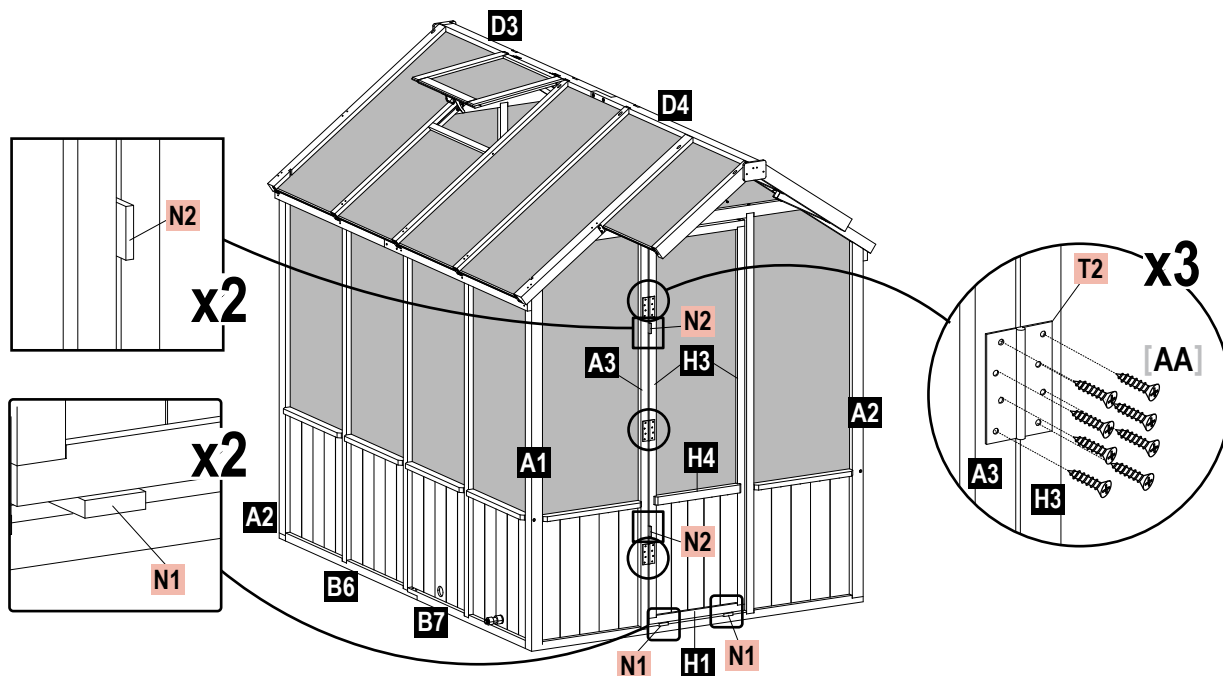
This gap allows for natural wood expansion and helps prevent deformation caused by moisture. Once all panels are properly positioned, secure **F5** and **F6** to **H5** on frame **H4** using five (5) **[QQ]** bolts.

**[QQ]** x 5



**STEP 73** Use Door Positioning Blocks **N1** (bottom) and **N2** (side) as temporary spacers to create the required door clearance. Do not fasten or install them. Remove the blocks after the hinges are secured. Use eight (8) **[AA]** bolts to attach each Door Hinge **T2** to Post **A3** and Door Frame **H3**.

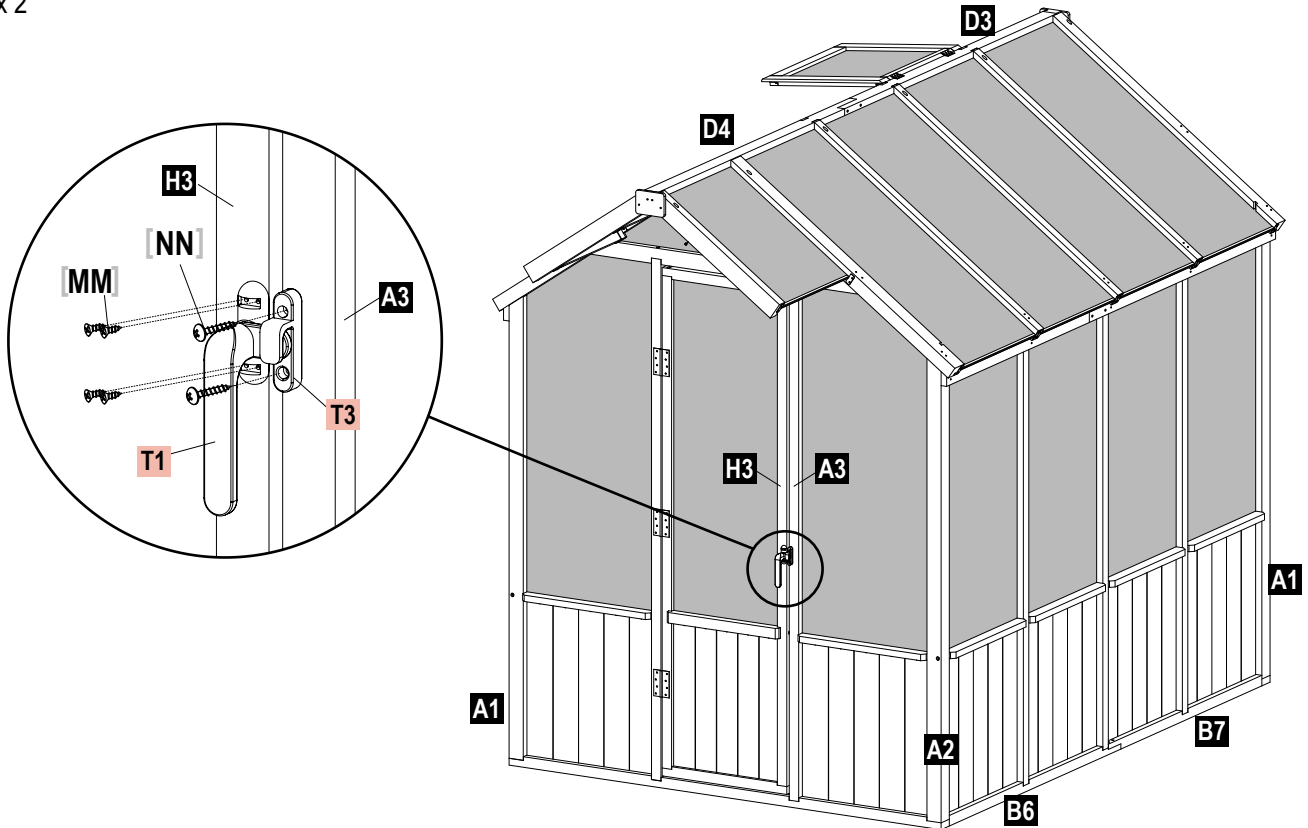
**[AA]** x 24



**STEP 74** Use four (4) [MM] bolts to attach Door Handle **T1** to Door Frame **H3** as shown. Use two (2) [NN] bolts to attach Door Lock **T3** to Post **A3** as shown.

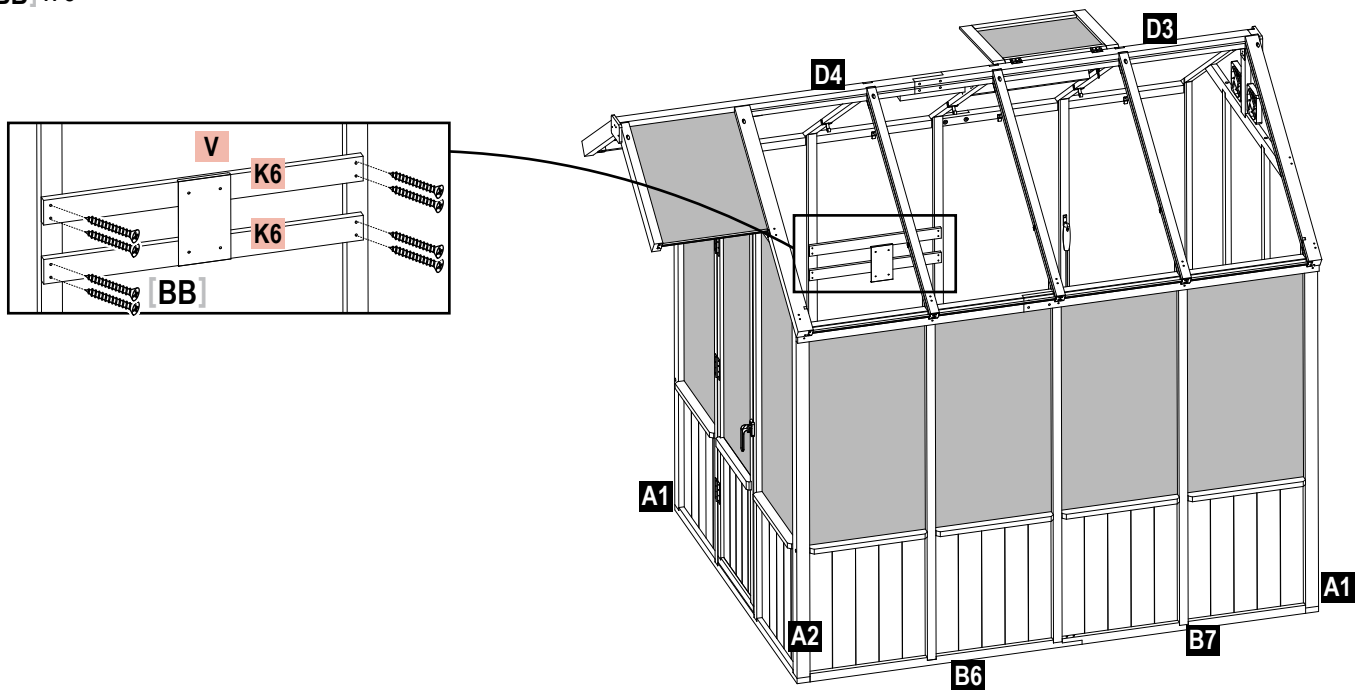
[MM] x 4

[NN] x 2



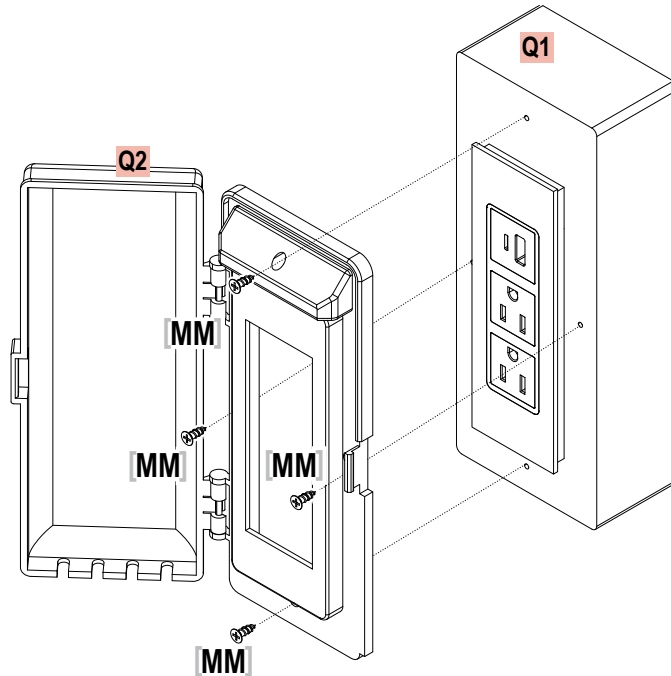
**STEP 75** Place Positioning Plate **V** against the posts to position **K6** correctly. Align **K6** with Plate **V**, then secure **K6** to posts **A5** using [BB] bolts. Plate **V** is used for positioning only and should not be installed.

[BB] x 8



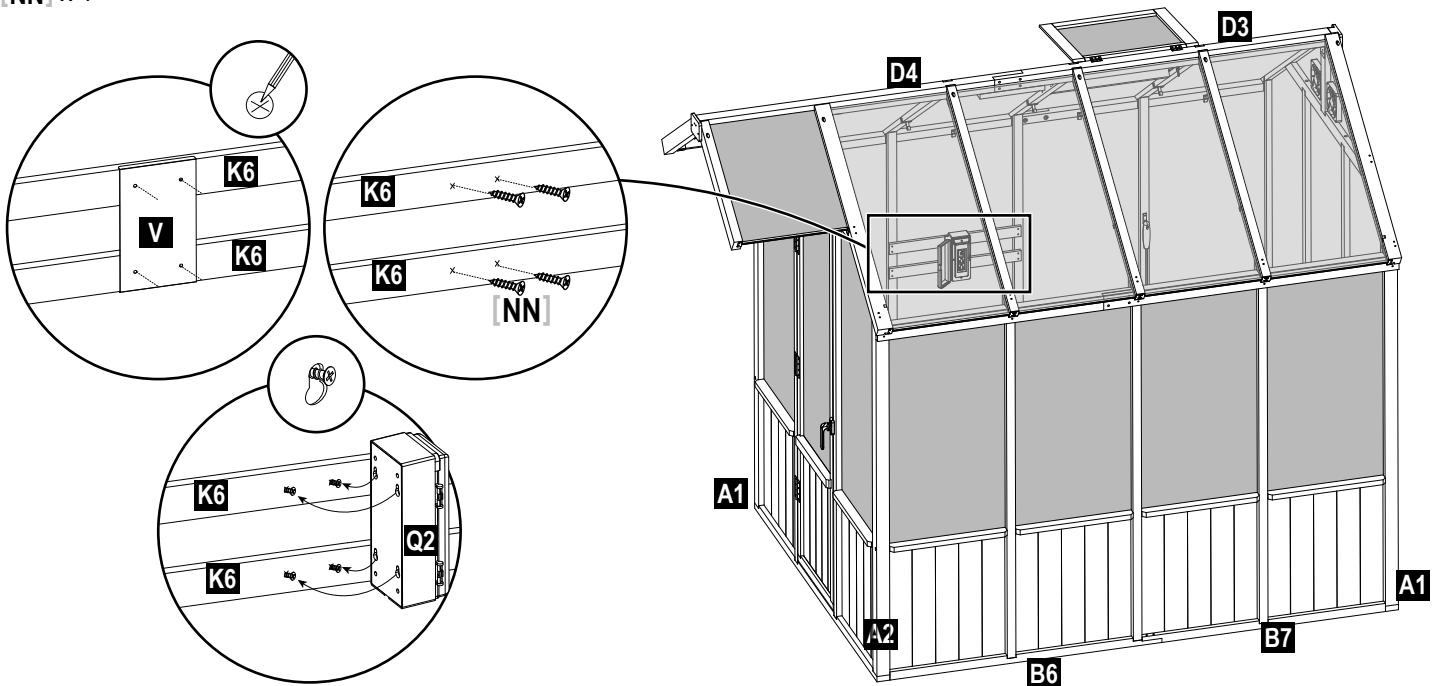
**STEP 76** Use four (4) [MM] bolts to attach Power Strip Cover **Q2** to Power Strip Case **Q1**.

[MM] x 4



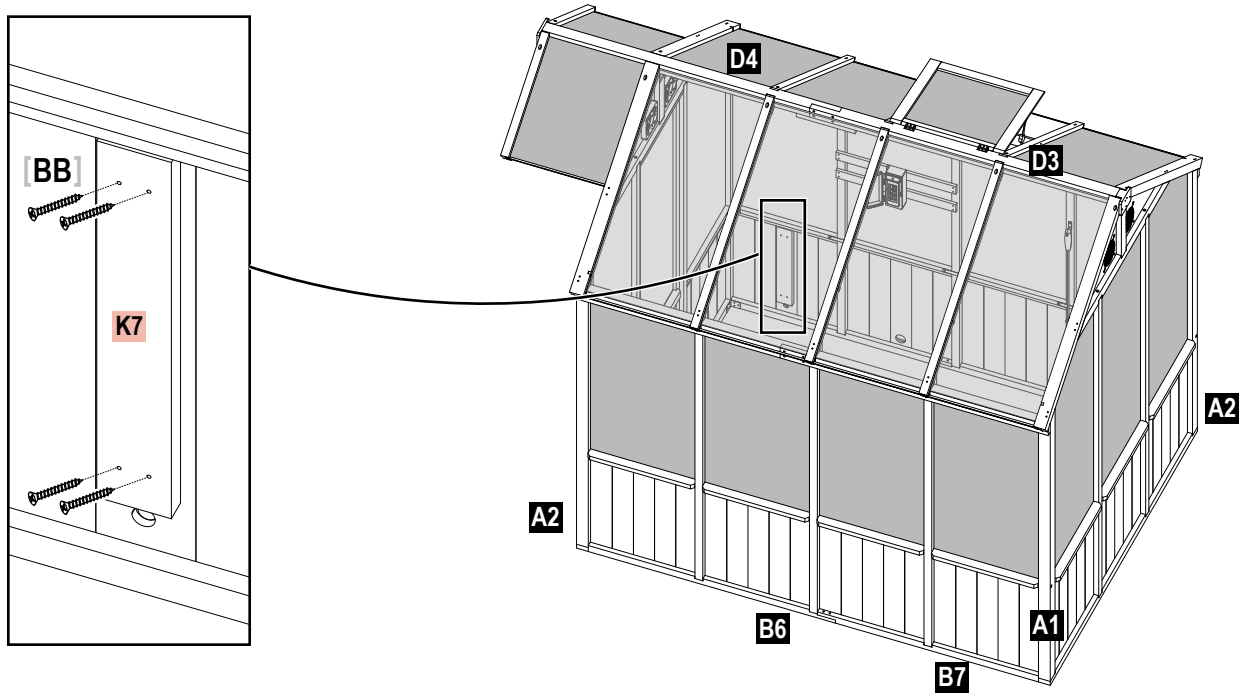
**STEP 77** Mark "cross" with a pen at the appropriate positions on the Connecting Brackets **K6** by using Positioning Plate **V**. Attach four (4) [NN] bolts to the marks, then hook the Power Strip Case **Q1** to **K6**.

[NN] x 4

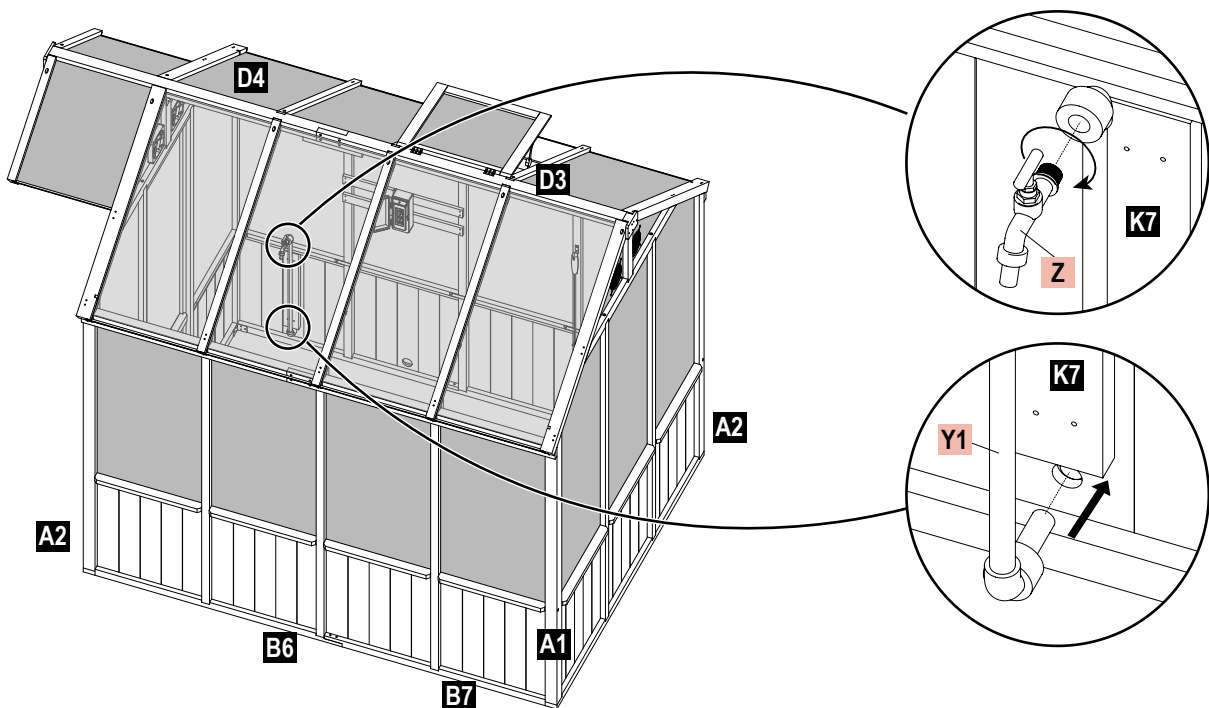


**STEP 78** Align the centerline of Connecting Bracket **K7** with the center of the hole in Wooden Panel **F3**. Fasten **K7** in place using four (4) **[BB]** bolts.

**[BB]** x 4

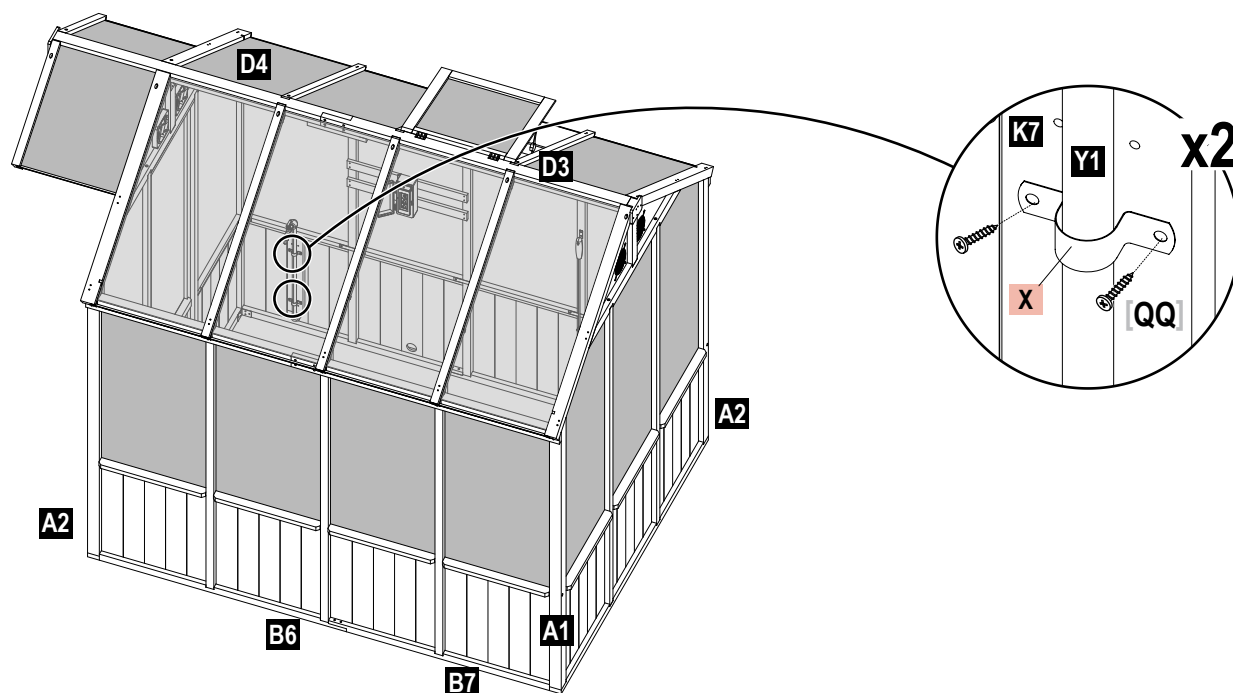


**STEP 79** Connect Faucet **Z** to the top end of Plumbing Kit **Y1**, then pass the bottom end of **Y1** through the pre-drilled hole on the bottom of Wooden Panel **F3** as shown.

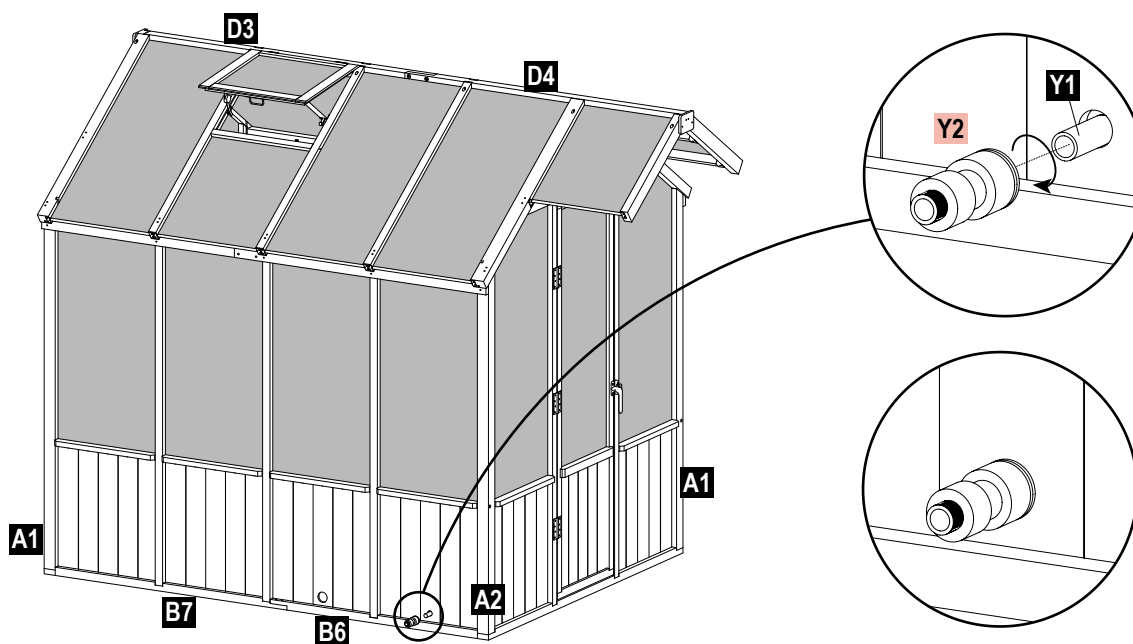


**STEP 80** Position the plumbing kit as shown. Attach it to the panel using Pipe Holders **X**, securing each holder with two (2) **[QQ]** bolts.

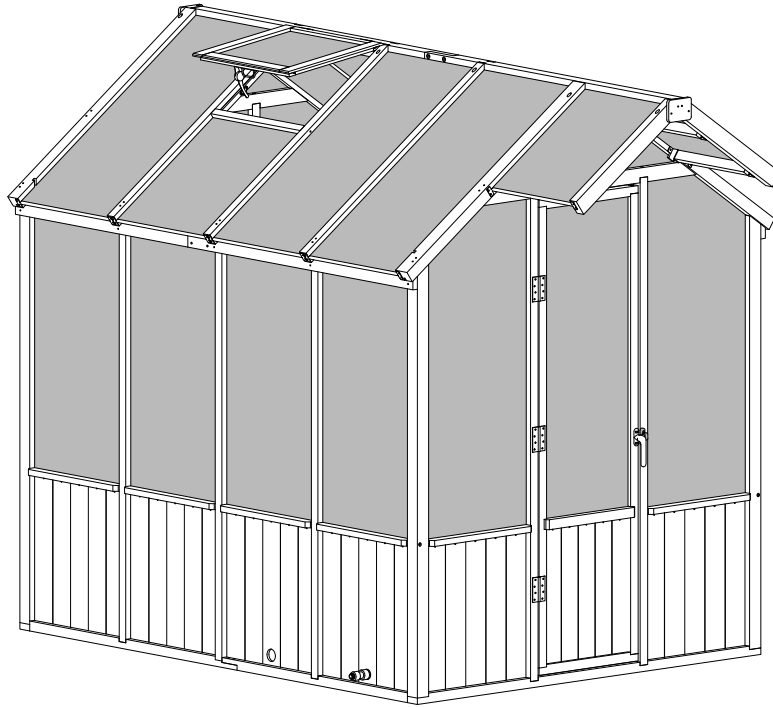
**[QQ]** x 4



**STEP 81** Connect the lower end of Plumbing Kit **Y1** to **Y2**.



**STEP 82** The greenhouse installation is now complete.



## LIMITED WARRANTY

We warrants this product against defects in materials and workmanship for a period of one (1) year from the original date of purchase. To the extent any such defects occur, our products will send the appropriate replacement part(s) at no charge.

This warranty does not cover:

- Inspection costs or labor for replacement of any defective parts);
- Incidental or consequential damages;
- Cosmetic defects which DO NOT affect performance;
- Normal wear and tear;
- Damage due to vandalism; acts of nature, including but not limited to wind, storms, hail, floods;
- Improper assembly, installation, or use;
- Discoloration or fading of the finish as a result of exposure to chemicals, spills, pool or salt water
- Corrosion/ rust.

Your product has been designed for safety and quality.

Any modifications made to the original product could compromise its structural integrity or function, and could lead to product failure or personal injury. As such, modifying this product voids any and all warranties.

This product is warranted for RESIDENTIAL USE ONLY, and is not for commercial, contract or other non-residential purposes. Products disclaims all other representations and warranties of any kind, express or implied.

The warranty applies to the original purchaser and is non-transferable. It does not apply to purchases of display models, or when the product is sold on clearance or "as is".

We makes no warranty whatsoever in respect to accessories or parts not supplied with it. This warranty shall apply only within the boundaries of the United States of America and Canada. This warranty gives the original purchaser specific rights, and the original purchaser may also have other rights, which vary from state to state.

