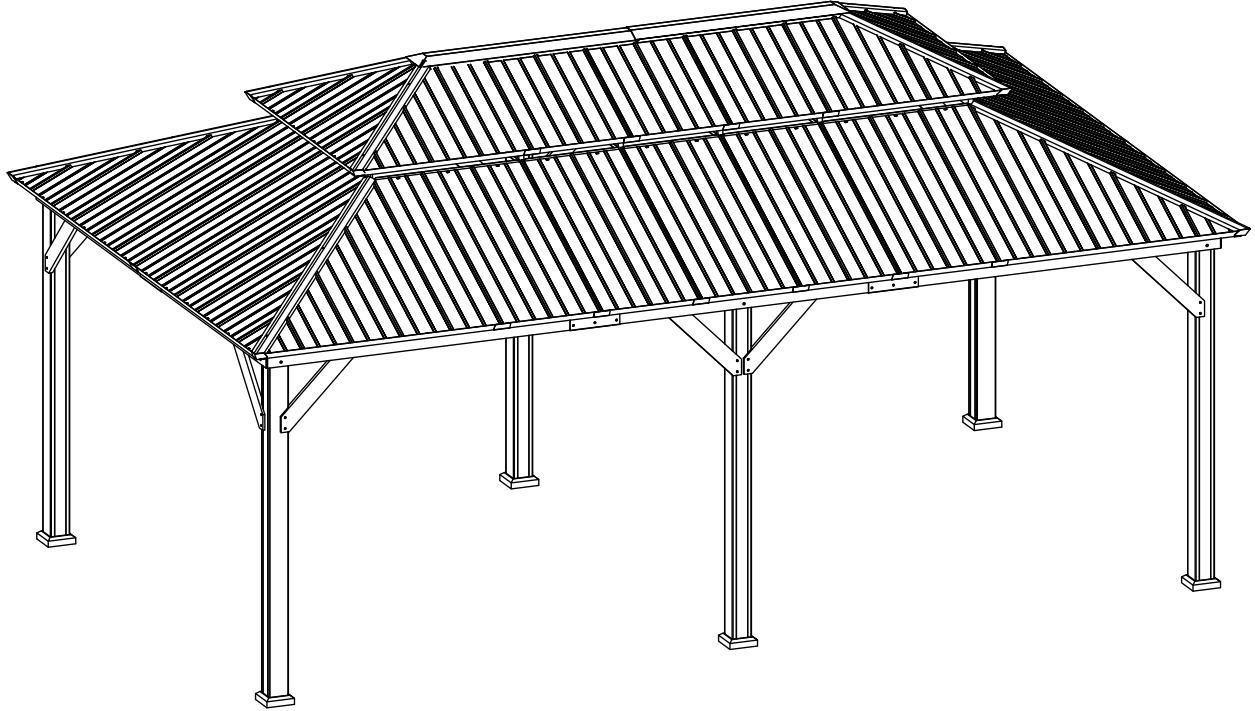


**MODEL:IG10600013C-1220-N**



OWNER'S MANUAL

# Rosewood 12' x 20' Cedar Framed Hard Top Gazebo

**TABLE OF CONTENTS**


**ASSEMBLY GUIDE**.....02  
**USING YOUR PRODUCT**.....05

July 1, 2025

**QUESTIONS?**

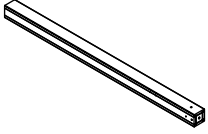
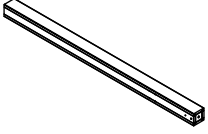
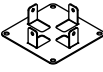

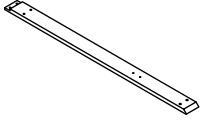
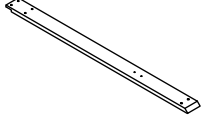
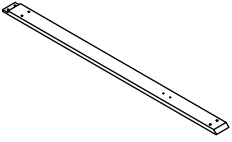
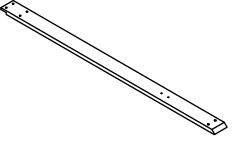
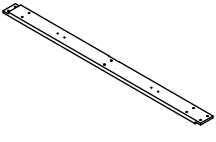


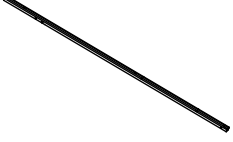

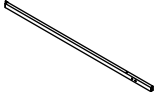
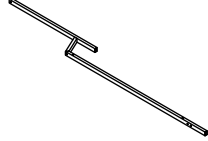
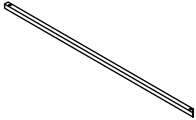
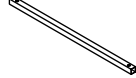
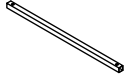
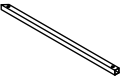
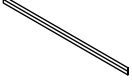
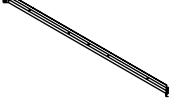
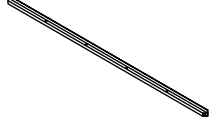
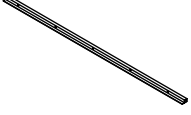
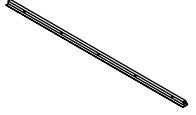
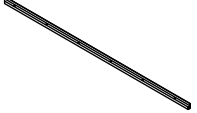
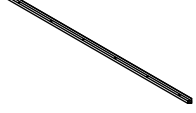


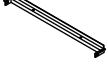
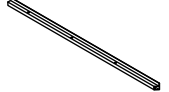
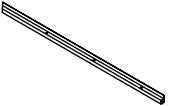
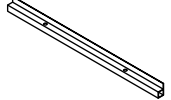
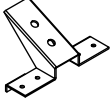
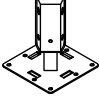
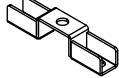
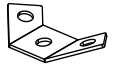
 **E-mail:** [support@modernshade.org](mailto:support@modernshade.org)

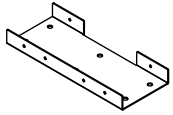
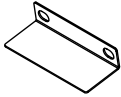
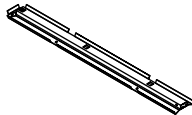

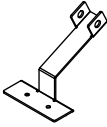
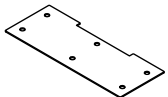

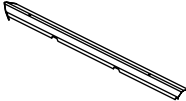


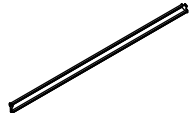




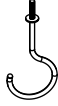
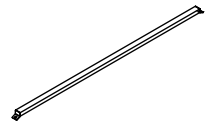
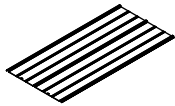
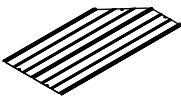
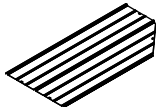

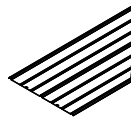
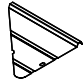


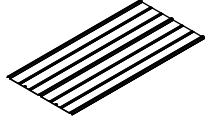
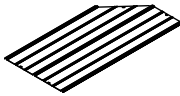
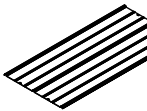


 **Toll Free Number:** 1-888-666-3070

 **Mon-Fri:** 9:00 AM - 5:00 PM PST.

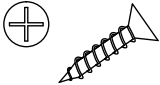
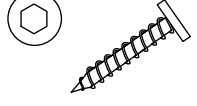
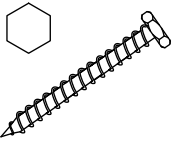
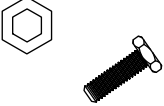
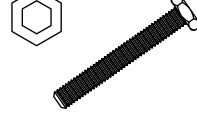
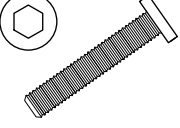
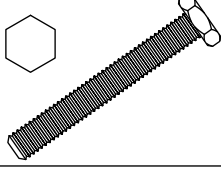






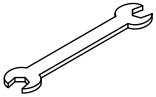
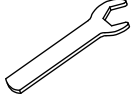
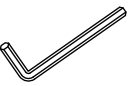
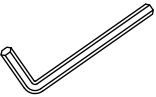
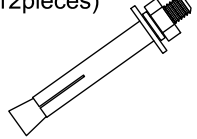
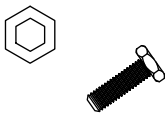
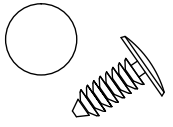
# ASSEMBLY GUIDE

## PARTS LIST

<b>A1</b> Post 1 (4pieces) 	<b>A2</b> Post 2 (2pieces) 	<b>B1</b> Foot Base 1 (6pieces) 	<b>C1</b> Foot Cover 1 (6pieces) 	<b>D3</b> Cross Beam 3 (2pieces) 	<b>D4</b> Cross Beam 4 (2pieces) 
P0010000701	P0010000801	P0030000301	P0020000301	P0040016101	P0040016201
<b>D9</b> Cross Beam 9 (2pieces) 	<b>D10</b> Cross Beam 10 (2pieces) 	<b>D11</b> Cross Beam 11 (2pieces) 	<b>E1</b> Support Bracket 1 (6pieces) 	<b>E2</b> Support Bracket 2 (6pieces) 	<b>F2</b> Roof Rib 2 (4pieces) 
P0040016701	P0040016801	P0040016901	P0050000501	P0050000601	P0070000202
<b>F3</b> Roof Rib 3 (4pieces) 	<b>G1</b> Middle Cross Beam 1 (6pieces) 	<b>G3</b> Middle Cross Beam 3 (8pieces) 	<b>H1</b> Roof Support 1 (4pieces) 	<b>H2</b> Roof Support 2 (4pieces) 	<b>H5</b> Roof Support 5 (16pieces) 
P0070000302	P0080000102	P0080000302	P0090000102	P0090000202	P0090000302
<b>H6</b> Roof Support 6 (4pieces) 	<b>H7</b> Roof Support 7 (2pieces) 	<b>J2</b> Roof Border 2 (2pieces) 	<b>J4</b> Roof Border 4 (2pieces) 	<b>J5</b> Roof Border 5 (2pieces) 	<b>J6</b> Roof Border 6 (2pieces) 
P0090000402	P0090000502	P0090001002	P0090001402	P0090001502	P0090001602
<b>J7</b> Roof Border 7 (2pieces) 	<b>J8</b> Roof Border 8 (2pieces) 	<b>J15</b> Roof Border 15 (2pieces) 	<b>J16</b> Roof Border 16 (2pieces) 	<b>J17</b> Roof Border 17 (6pieces) 	<b>J18</b> Roof Border 18 (2pieces) 
P0090001702	P0090001802	P0090000602	P0090000702	P0090000802	P0090001102
<b>J19</b> Roof Border 19 (2pieces) 	<b>J20</b> Roof Border 20 (16 pieces) 	<b>K1</b> Connector 1 (14pieces) 	<b>K2</b> Connector 2 (4pieces) 	<b>K3</b> Connector 3 (44pieces) 	<b>K4</b> Connector 4 (16pieces) 
P0090001202	P0090001902	P0060001501	P0060001701	P0060000501	P0060000602

<p><b>K5</b> Connector 5 (6pieces)</p> 	<p><b>K7</b> Connector 7 (22pieces)</p> 	<p><b>K8</b> Connector 8 (2pieces)</p> 	<p><b>K9</b> Connector 9 (1piece)</p> 	<p><b>K10</b> Connector 10 (2pieces)</p> 	<p><b>K11</b> Connector 11 (6pieces)</p> 
P0110005301	P0110000502	P0060001002	P0060001201	P0060005101	P0110005401
<p><b>L1</b> Roof Rib Cover 1 (4pieces)</p> 	<p><b>L5</b> Roof Rib Cover 5 (4pieces)</p> 	<p><b>L6</b> Roof Cover 6 (1piece)</p> 	<p><b>L7</b> Roof Cover 7 (1piece)</p> 	<p><b>M1</b> Mosquito Net Rod 1 (2pieces)</p> 	<p><b>M2</b> Mosquito Net Rod 2 (2pieces)</p> 
P0120000102	P0120000302	P0120000702	P0120000802	P0100002001	P0100002101
<p><b>M3</b> Mosquito Net Rod 3 (2pieces)</p> 	<p><b>M4</b> Mosquito Net Rod 4 (2pieces)</p> 	<p><b>M5</b> Mosquito Net Rod 5 (4pieces)</p> 	<p><b>N</b> Hook (1piece)</p> 	<p><b>P2</b> Middle Cross Beam Support 2 (4pieces)</p> 	<p><b>Z1</b> Roof Plate 1 (12pieces)</p> 
P0100001601	P0100001701	P0100002201	P1000000100	P0050000402	P0130000199
<p><b>Z2</b> Roof Plate 2 (4pieces)</p> 	<p><b>Z3</b> Roof Plate 3 (4pieces)</p> 	<p><b>Z4</b> Roof Plate 4 (4pieces)</p> 	<p><b>Z5</b> Roof Plate 5 (4pieces)</p> 	<p><b>Z6</b> Roof Plate 6 (4pieces)</p> 	<p><b>Z7</b> Roof Plate 7 (4pieces)</p> 
P0130000299	P0130000399	P0130000499	P0130000599	P0130000699	P0130000799
<p><b>Z8</b> Roof Plate 8 (2pieces)</p> 	<p><b>Z9</b> Roof Plate 9 (6pieces)</p> 	<p><b>Z11</b> Roof Plate 11 (2pieces)</p> 	<p><b>Z12</b> Roof Plate 12 (2pieces)</p> 	<p><b>Z13</b> Roof Plate 13 (4pieces)</p> 	<p><b>Z14</b> Roof Plate 14 (4pieces)</p> 
P0130000899	P0130000999	P0130001199	P0130001299	P0130001399	P0130001499

## HARDWARE PACK

<b>AA</b> Bolt M5*25 (156+8 pieces) 	<b>BB</b> Bolt M8*35 (48+3pieces) 	<b>CC</b> Bolt M10*65 (10+1pieces) 	<b>DD</b> Bolt M6*20 (332+16pieces) 	<b>EE</b> Bolt M6*45 (22+2pieces) 	<b>FF</b> Bolt M8*45 (36+2 pieces) 
H008008098	H008008099	H008008100	H008008036	H008008016	H008008191
<b>GG</b> Bolt M10*160 (10+1pieces) 	<b>HH</b> Anti-slip Screw Nut M10 (10+1 pieces) 	<b>JJ</b> M8 Ball nut (36+2 pieces) 	<b>KK</b> M6 Flat washer (446+22pieces) 	<b>LL</b> M8 Flat washer (120+6 pieces) 	<b>MM</b> M10 Flat washer (30+2pieces) 
H008008140	H008008126	H008008192	H008008056	H008008057	H008008058
<b>NN</b> M6 Sealant Washer (16+2pieces) 	<b>PP</b> Double Open End Wrench M8/M10 (2 pieces) 	<b>QQ</b> Wrench M6 (2 pieces) 	<b>RR</b> M6 Allen Key (2 pieces) 	<b>SS</b> M8 Allen Key (2pieces) 	<b>TT</b> Concrete Anchor M6*60 (12pieces) 
H008008060	H008008190	H008008011	H008008133	H008008129	H008008095
<b>UU</b> Bolt M6*15 (92+5pieces) 	<b>VV</b> Plastic Clip (32+5pieces) 				
H008008001	H008008071				

### IMPORTANT:

This instruction manual contains important information necessary for the proper assembly and safe use of the product.

Read and follow all warnings and instructions before assembling and using the product.

Follow all warnings and instructions when using the product.

Keep this manual for future reference.

Installer/Assembler: leave these instructions with the consumer.

### SAFETY ALERT KEY

#### DANGER

Indicates a hazardous situation that, if not avoided, will result in death or serious injury.

#### WARNING

Indicates a hazardous situation that, if not avoided, could result in death or serious injury.

#### CAUTION

Indicates a hazardous situation that, if not avoided, could result in minor or moderate injury.

#### NOTICE

Indicates information considered important, but not hazard-related (e.g.messages related to property damage).

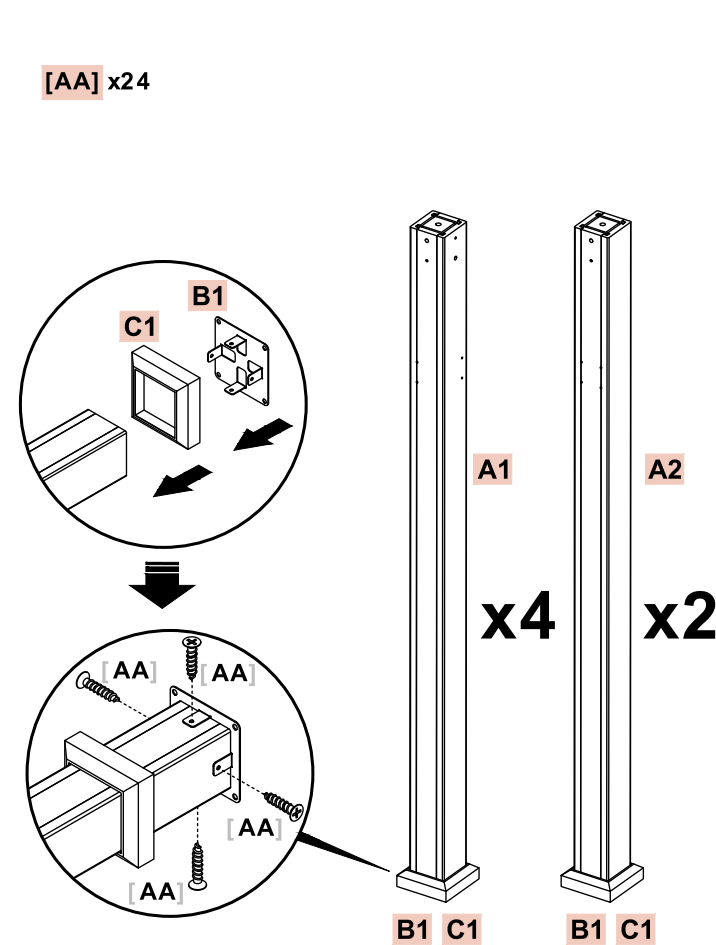
# ASSEMBLY INSTRUCTIONS

- Please carefully unpack each of the components and hardware. check the components against the parts list and make sure there are no missing parts. lay pieces on cardboard or a soft mat to help protect the pieces from scratches.

**⚠ CAUTION**

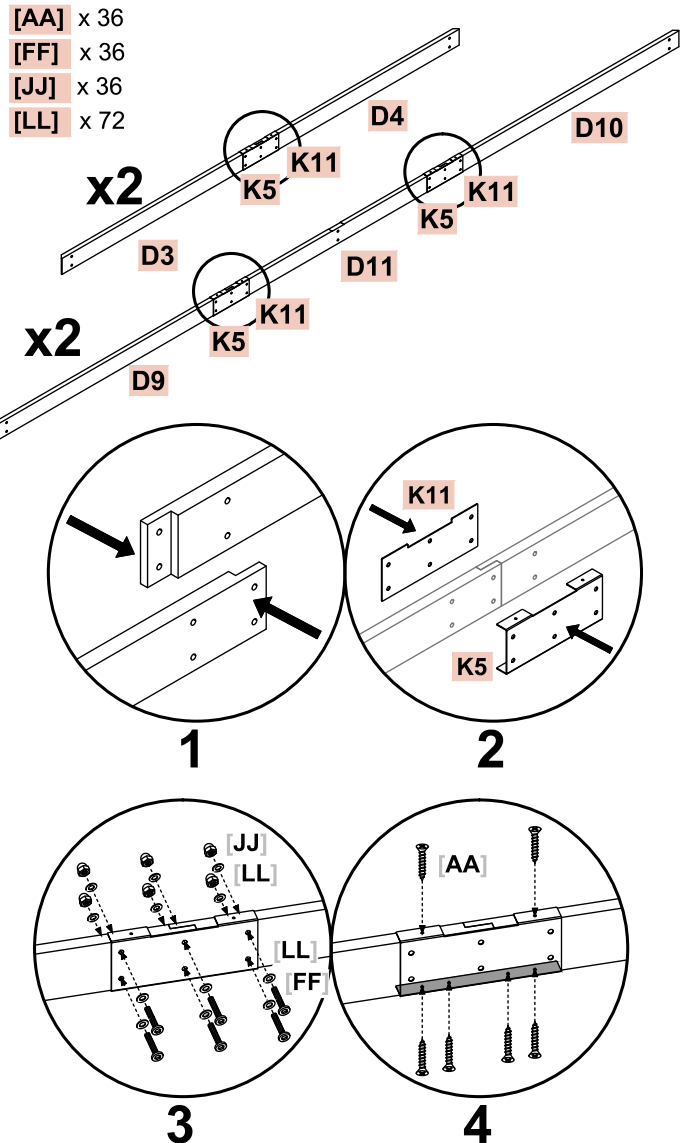
Watch for sharp edges when handling the pieces, wear gloves to avoid injury.

**STEP 01** Slide foot base **B1** and foot cover **C1** onto post **A1**. Use four (4) **[AA]** bolts to attach foot base **B1** to post **A1**. Repeat with the other three (3) posts **A1** and two (2) posts **A2**.



- For ease of assembly, it is recommended to have 3 or more people and allow enough time to completely finish the assembly. assembly can take 6-8 hours. a step-ladder is required for assembly (not included).
- Follow step by step instructions, and follow all safety warnings provided with your tools.
- DO NOT tighten screws until all the screws and washers are properly installed. Tighten screws securely, do not over tighten.
- Gazebo should not be used in inclement weather and high winds.

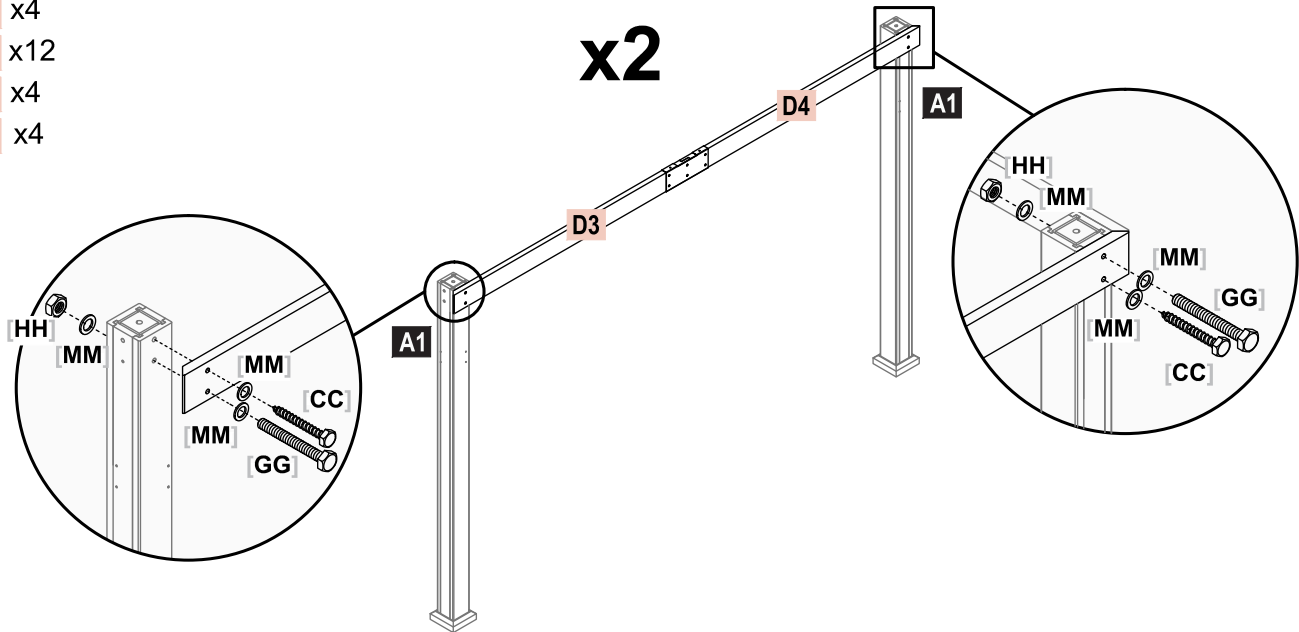
**STEP 02** Attach cross beam **D3** and **D4** together using connector **K5** and **K11**. Secure with six (6) **[FF]** bolts, twelve (12) **[LL]** flat washers and six (6) **[JJ]** ball nuts on the sides. Use six (6) **[AA]** bolts secure both the top and bottom of the connection. Repeat to make a second assembly. Repeat to make another two assemblies with cross beam **D9**, **D10** and **D11**.



**STEP 03**

Use one (1) [GG] bolt, two (2) [MM] flat washers and one (1) [HH] screw nut on the top hole to attach cross beam **D4** to post **A1**. Use one (1) [CC] bolt and one (1) [MM] flat washer on the bottom hole to attach cross beam **D4** to post **A1**. Repeat with the other cross beam **D4**. Use one (1) [CC] bolt and one (1) [MM] flat washer on the top hole to attach cross beam **D3** to post **A1**. Use one (1) [GG] bolt, two (2) [MM] flat washers and one (1) [HH] screw nut on the bottom hole to attach cross beam **D3** to post **A1**. Repeat with the other cross beam **D3**.

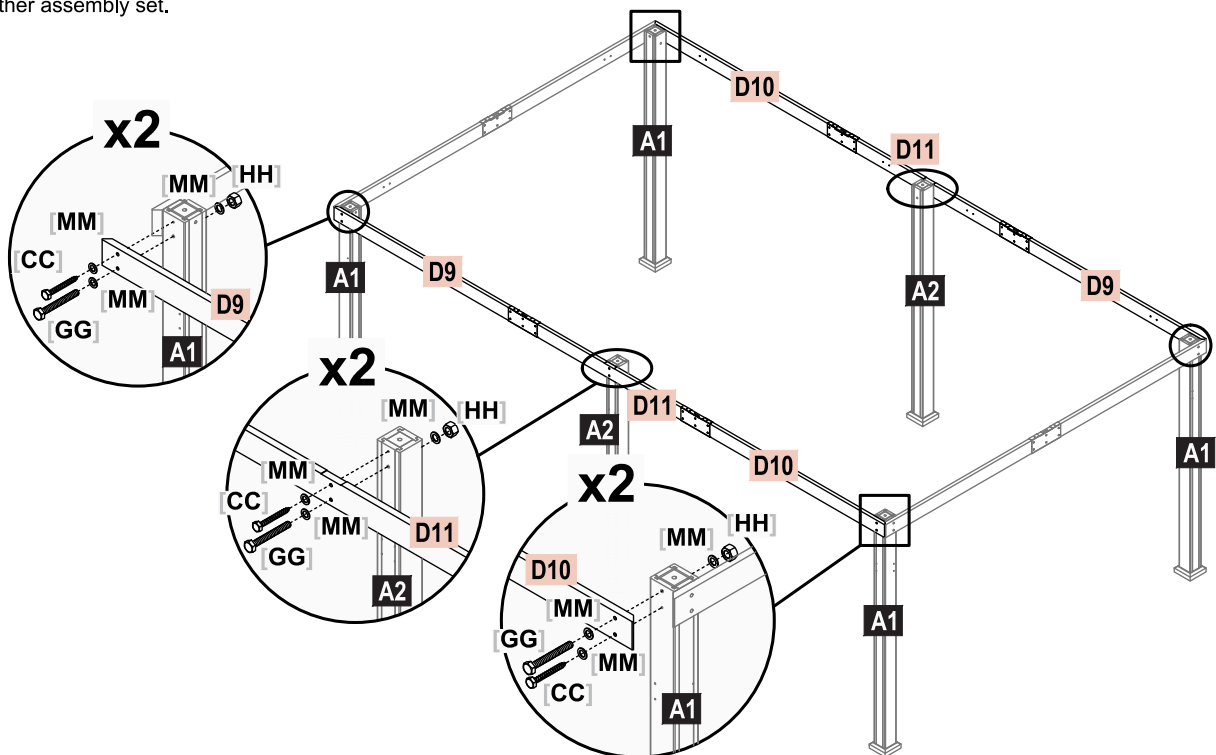
- [CC] x4
- [MM] x12
- [HH] x4
- [GG] x4



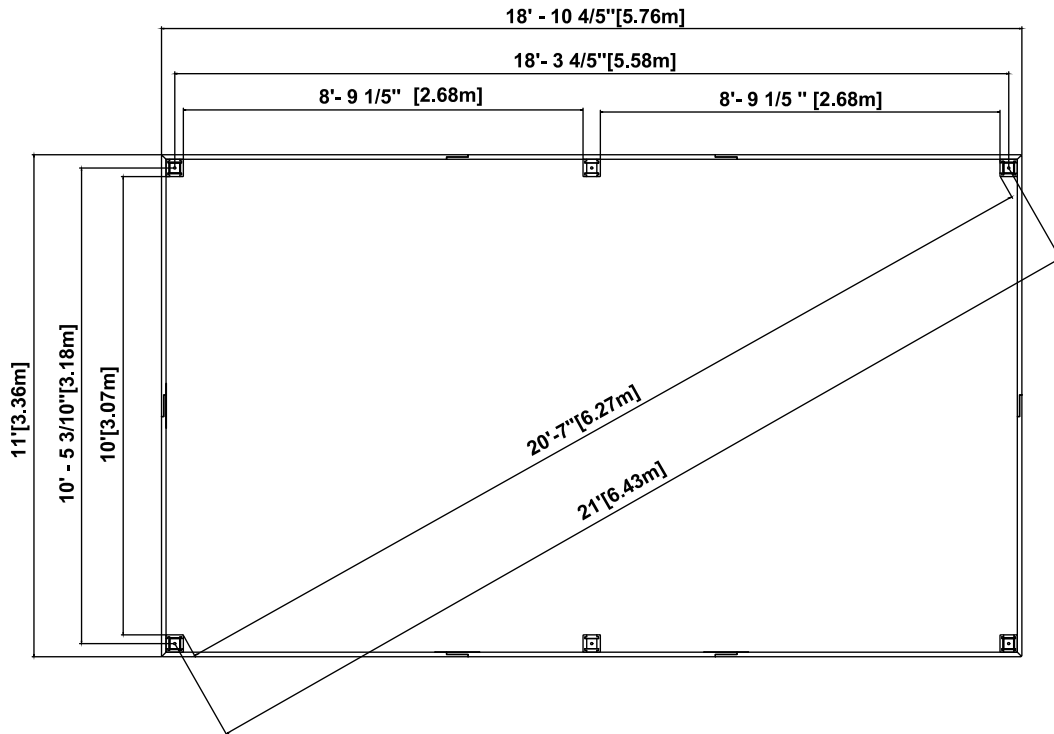
**STEP 04**

Use one (1) [GG] bolt, two (2) [MM] flat washers and one (1) [HH] screw nut on the top hole to attach the right end of cross beam assembly **D9 D10 D11** to post **A1**. Use one (1) [CC] bolt and one (1) [MM] flat washer on the bottom hole to attach the right end of assembly to post **A1**. Use one (1) [CC] bolt and one (1) [MM] flat washer on the top hole to attach the left end and the middle of cross beam assembly **D9 D10 D11** to post **A1** and **A2**. Use one (1) [GG] bolt, two (2) [MM] flat washers and one (1) [HH] screw nut on the bottom hole to attach the assembly to post **A1** and **A2**. Repeat with the other assembly set.

- [CC] x6
- [MM] x18
- [HH] x6
- [GG] x6



**STEP 05 CRITICAL: SQUARE UNIT BEFORE PROCEEDING TO NEXT STEPS. ONCE SQUARE, TIGHTEN ALL HARDWARE.**

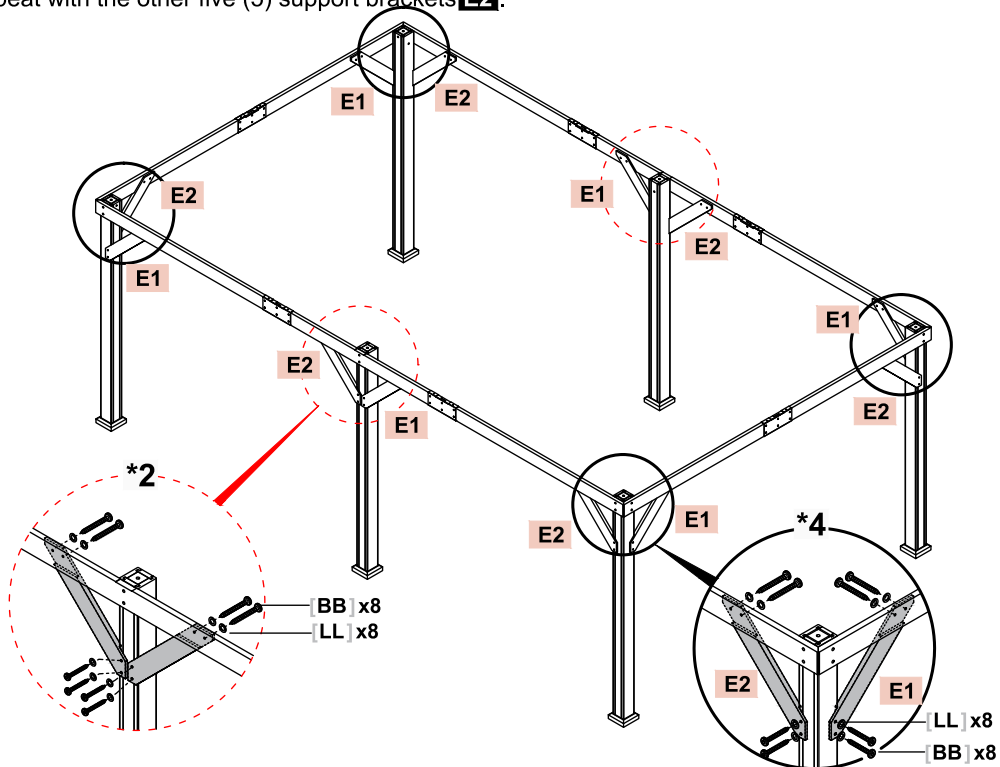


**STEP 06**

Use four (4) [BB] bolts and four (4) [LL] flat washers to attach one (1) support bracket **E1** to cross beam and post on left corner of each side. Repeat with the other five (5) support brackets **E1**.  
 Use four (4) [BB] bolts and four (4) [LL] flat washers to attach one (1) support bracket **E2** to cross beam and post on right corner of each side. Repeat with the other five (5) support brackets **E2**.

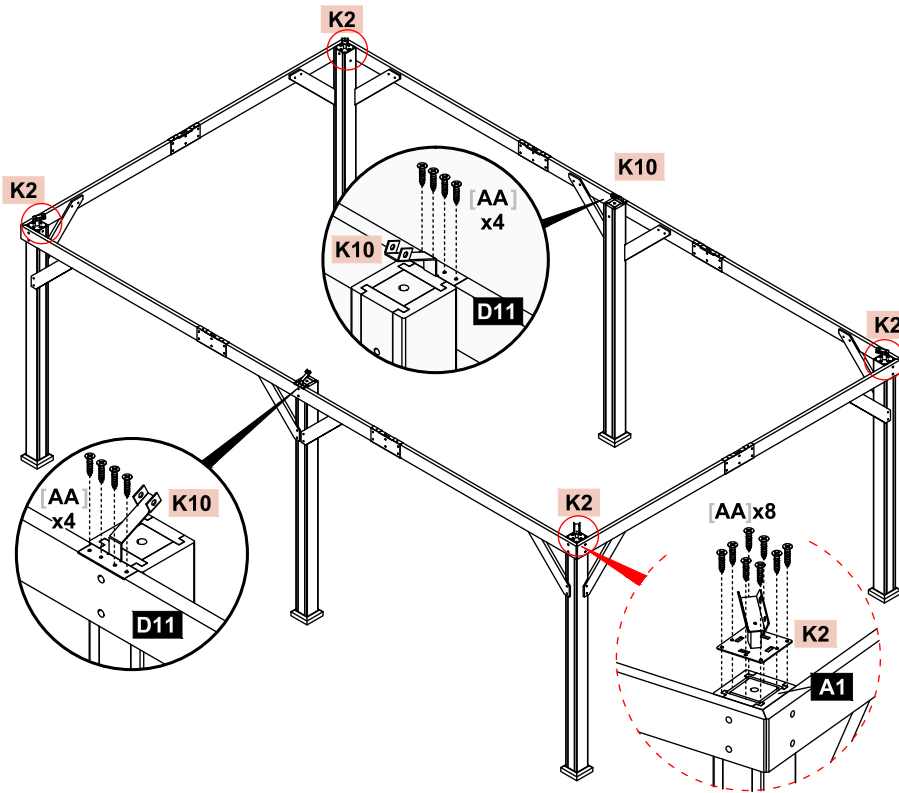
[BB] x48

[LL] x48



**STEP 07** Use four (4) [AA] bolts to attach one (1) connector [K10] to the middle of cross beam [D11]. Repeat with the other connector [K10]. Use eight (8) [AA] bolts to attach one (1) connector [K2] to each post. Repeat with the other three (3) connector [K2].

[AA] x40

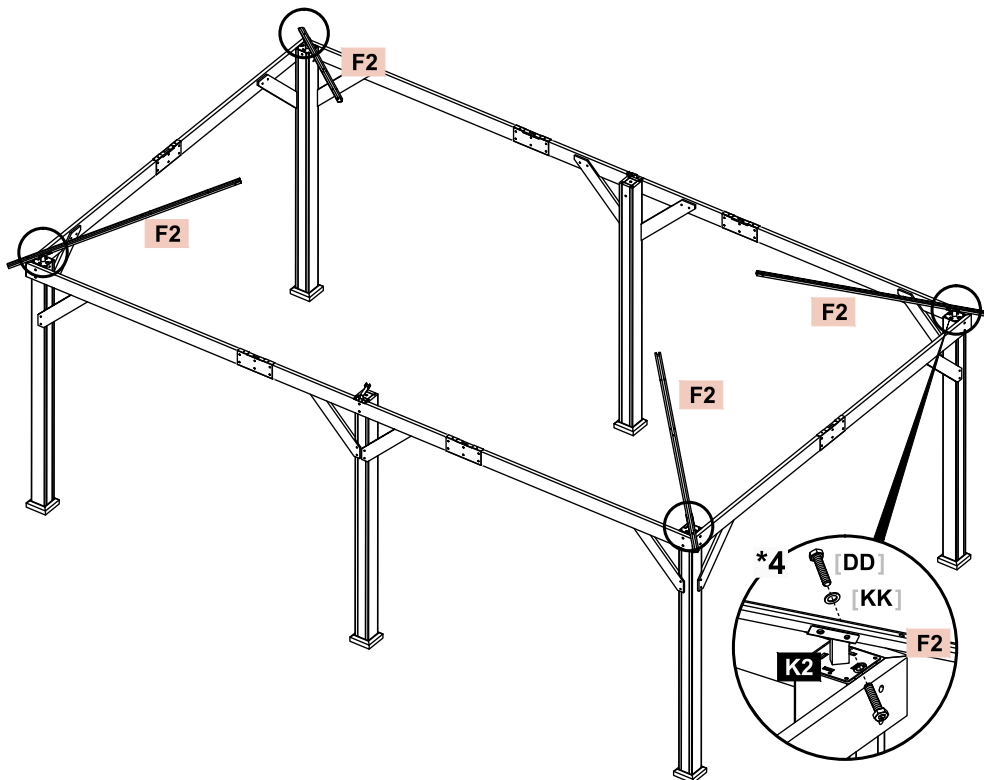


**STEP 08**

Use two (2) [DD] bolts and two (2) [KK] flat washers to attach one (1) roof rib [F2] to connector [K2]. Repeat with the other three (3) roof ribs [F2].

[KK] x8

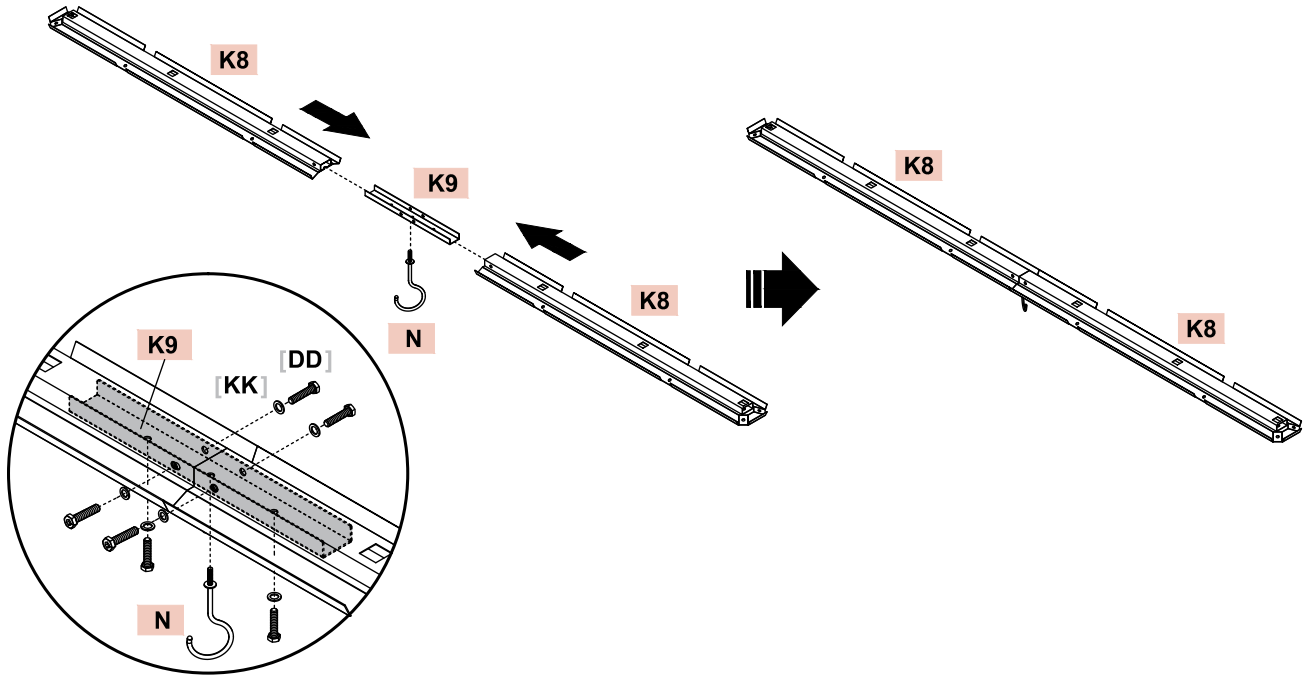
[DD] x8



**STEP 09** Attach hook **N** to connector **K9** . Slide two (2) connectors **K8** onto connector **K9** . Use six (6) **[DD]** bolts and six (6) **[KK]** flat washers to attach connector **K8** to **K9** .

**[KK]** x6

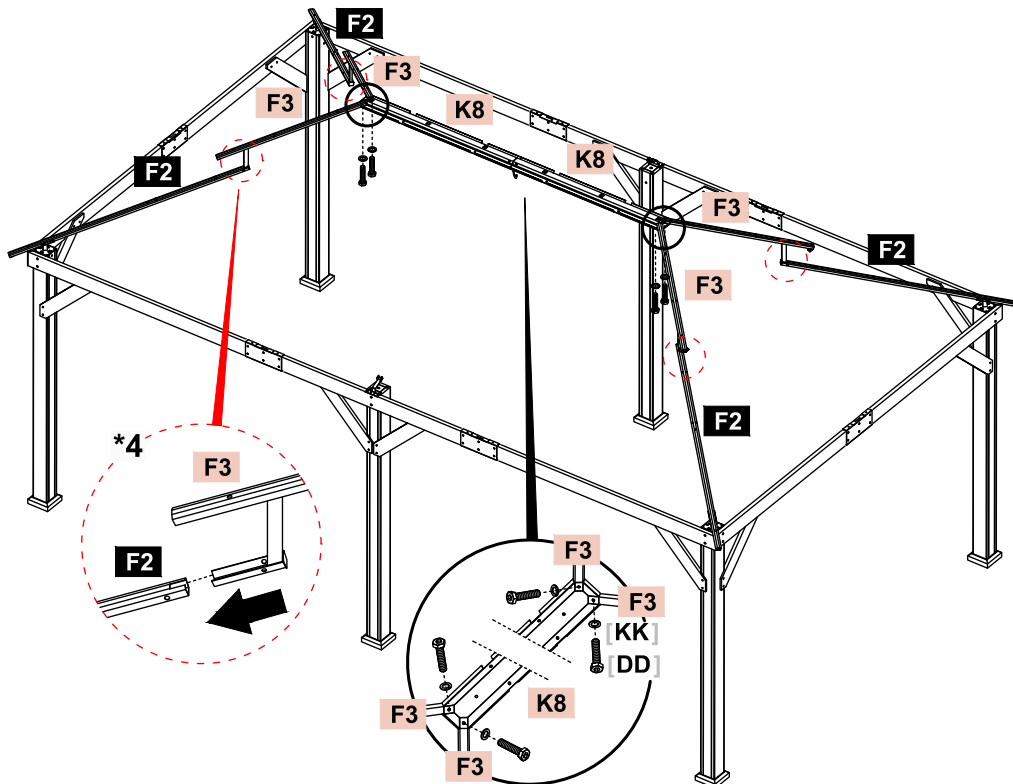
**[DD]** x6



**STEP 10** Slide roof rib **F3** into **F2** . Use four (4) **[DD]** bolts and four (4) **[KK]** flat washers to attach connector assembly **K8 K9** to roof rib **F3** .

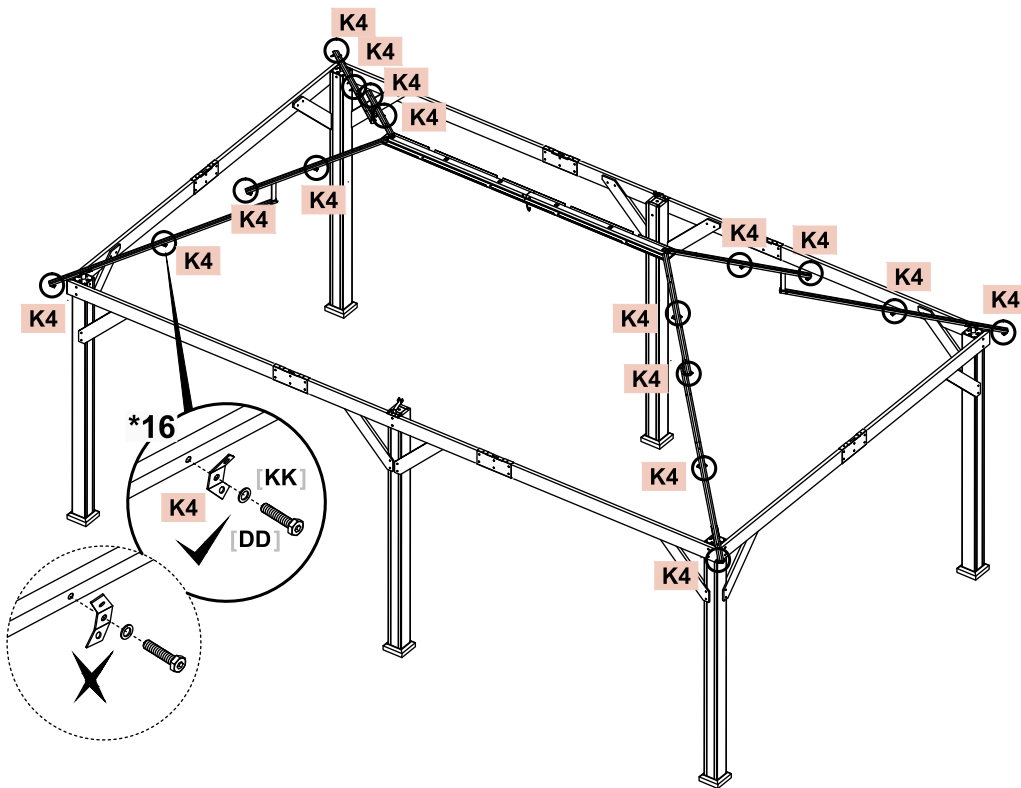
**[KK]** x4

**[DD]** x4



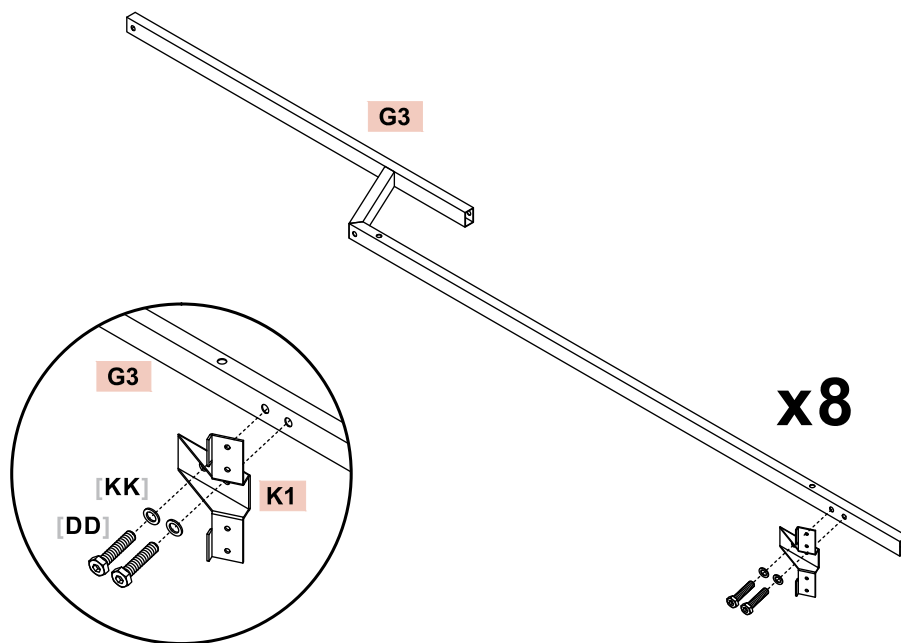
**STEP 11** Use one (1) [DD] bolt and one (1) [KK] flat washer to attach one (1) connector [K4] to roof rib [F2] / [F3]. Repeat with the other three (3) connectors [K4] on one (1) [F2] / [F3]. Repeat with the other three (3) roof ribs [F2] / [F3]. Make sure the connectors face upward as shown.

[KK] x16  
[DD] x16



**STEP 12** Use two (2) [DD] bolts and two (2) [KK] flat washers to attach one (1) connector [K1] to the one end of middle cross beam [G3]. Repeat to make another seven (7) assemblies.

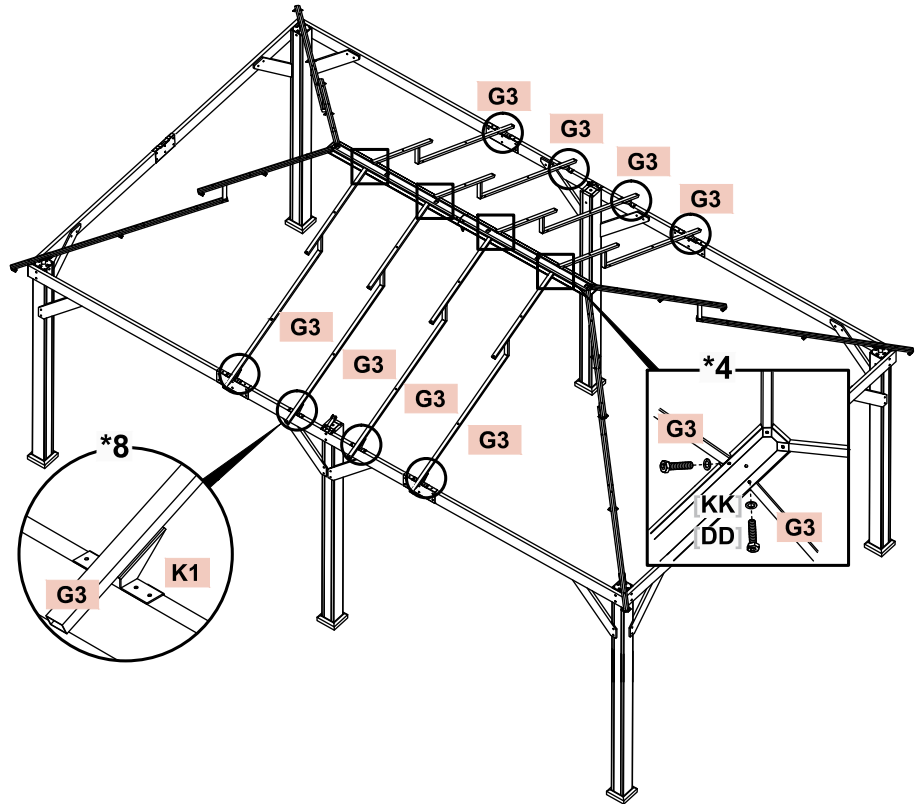
[KK] x16  
[DD] x16



**STEP 13** Use one (1) [DD] bolt and one (1) [KK] flat washer to attach upper end of middle cross beam G3 to connector K8. Attach connector K1 on the other end of G3 to cross beams without securing (will secure in the following steps). Repeat with the other seven (7) middle cross beams G3.

[KK] x8

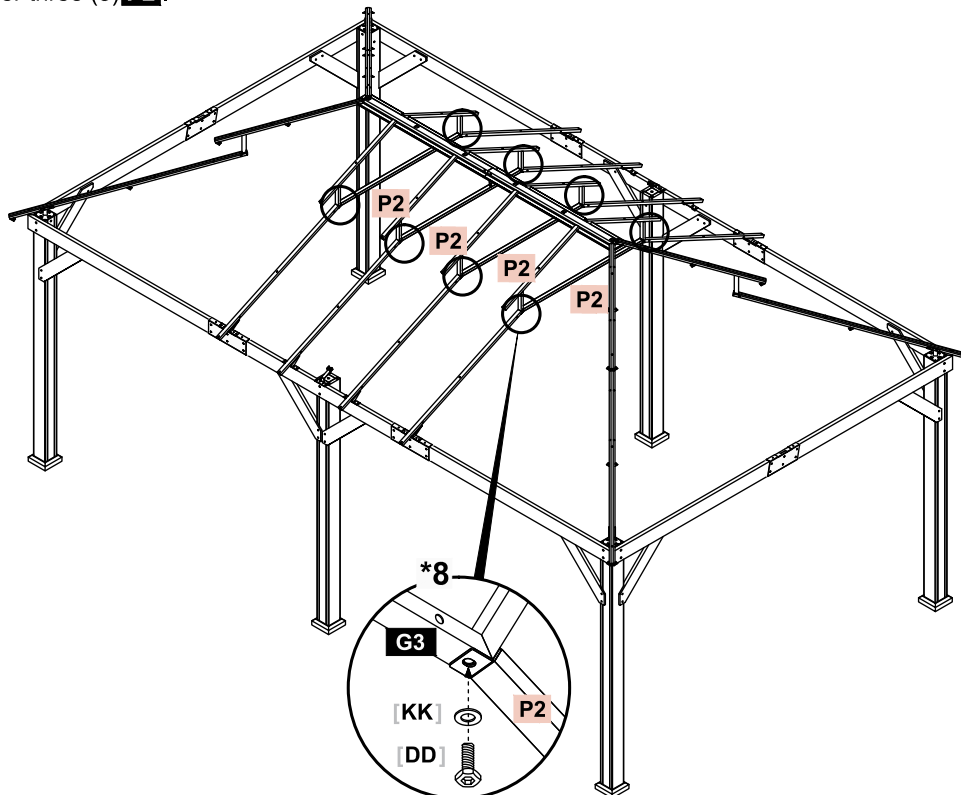
[DD] x8



**STEP 14** Use two (2) [DD] bolts and two (2) [KK] flat washers to attach one (1) middle cross beam support P2 to middle cross beam G3. Repeat with the other three (3) P2.

[KK] x8

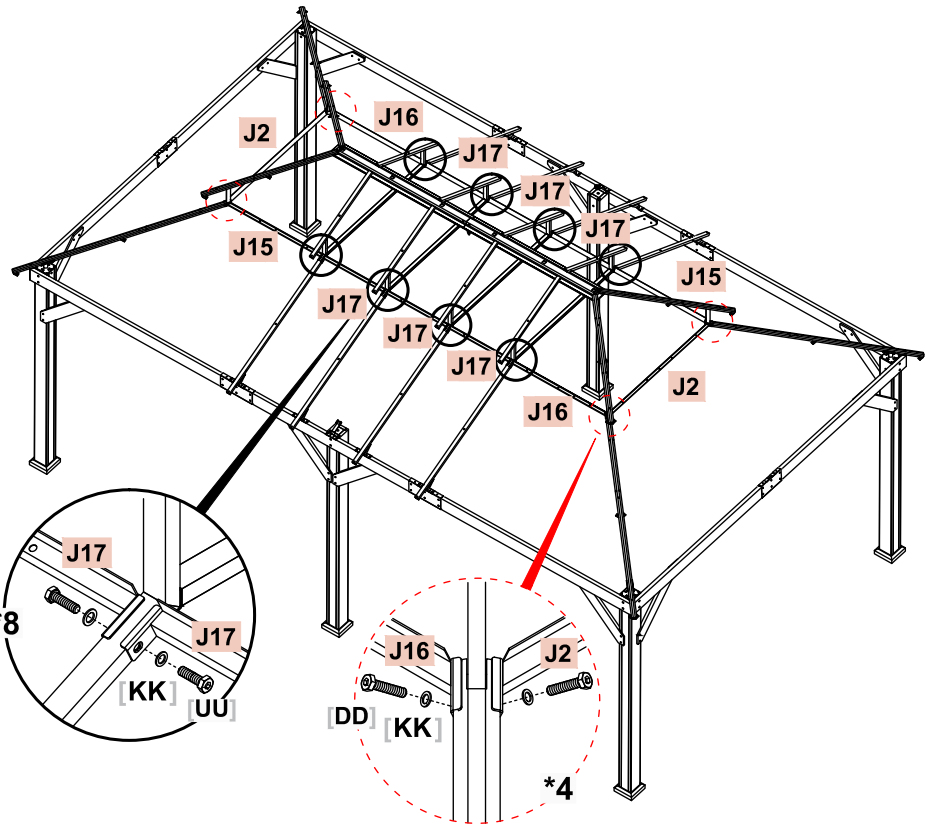
[DD] x8



**STEP 15** Use two (2) [UU] bolts and two (2) [KK] flat washers to attach one (1) roof upper border [J17] to middle cross beam [G3]. Repeat with the other five (5) [J17].

Use one (1) [UU] bolt, one (1) [DD] bolt and two (2) [KK] flat washers to attach one (1) roof upper border [J15] to middle cross beam [G3] and roof rib [F3]. Repeat with the other [J15] and two (2) [J16].

Use two (2) [DD] bolts and two (2) [KK] flat washers to attach one (1) roof upper border [J2] to roof rib [F3]. Repeat with the other [J2].



[KK] x24

[DD] x8

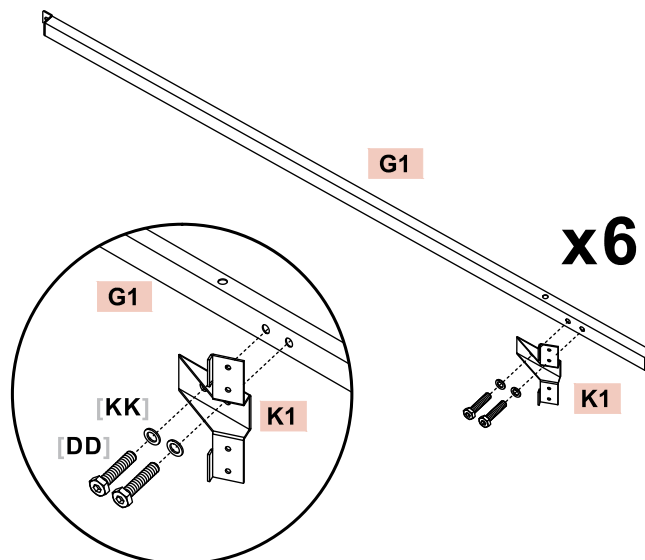
[UU] x16

**STEP 16** Use two (2) [DD] bolts and two (2) [KK] flat washers to attach one (1) connector [K1] to the one end of middle cross beam [G1].

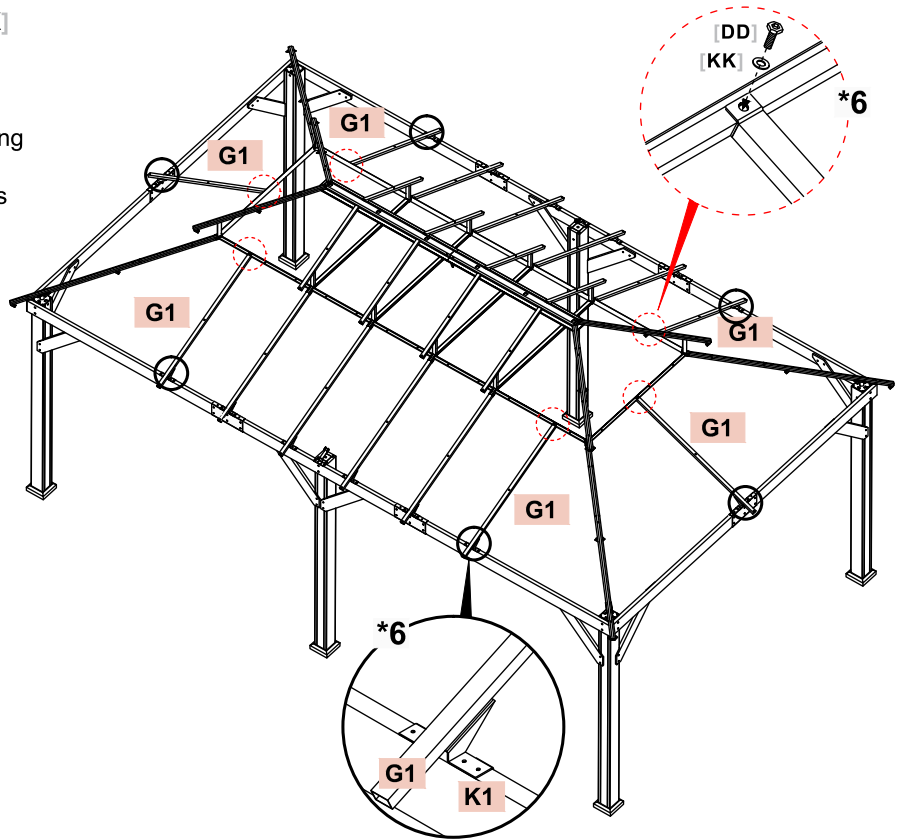
Repeat to make another five (5) assemblies.

[KK] x12

[DD] x12

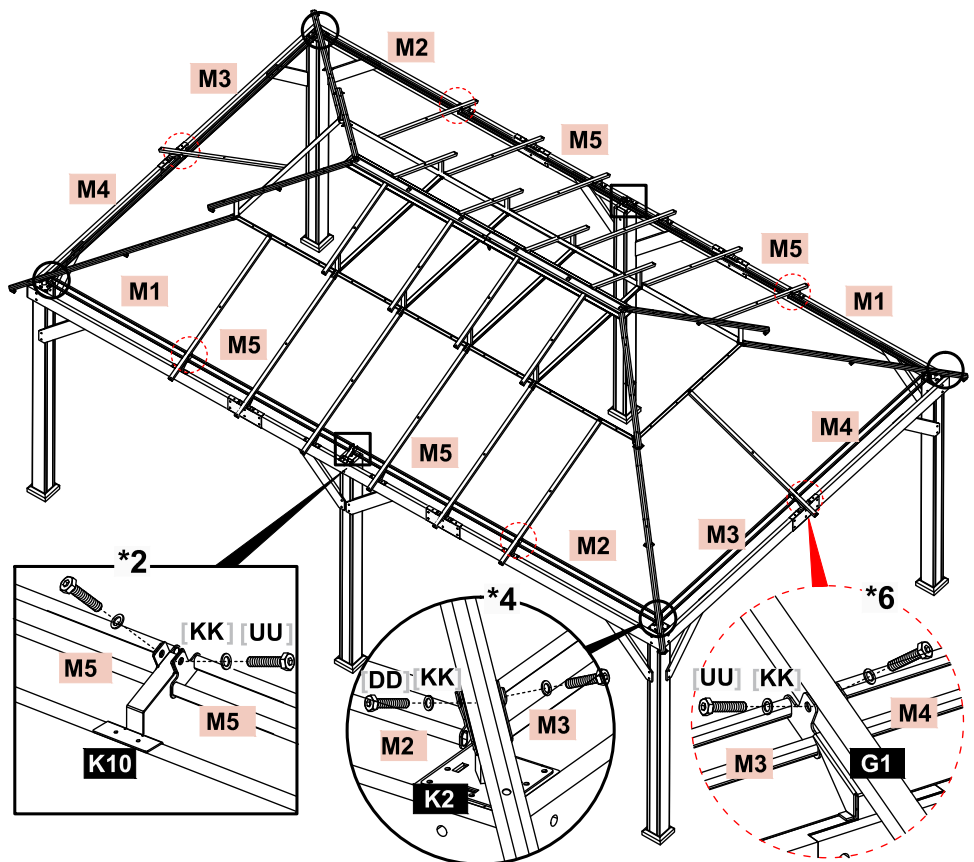


**STEP 17** Use one (1) [DD] bolt and one (1) [KK] flat washer to attach upper end of middle cross beam **G1** to roof support **J2 / J15 / J16**. Attach connector **K1** on the other end of **G1** to cross beams without securing (will secure in the following steps). Repeat with the other five (5) middle cross beams **G1**.



[KK] x6  
[DD] x6

**STEP 18** Use two (2) [UU] bolts and two (2) [KK] flat washers to attach one (1) mosquito net rod **M5** to connector **K10** and middle cross beam **G1**. Repeat with the other three (3) **M5**. Use one (1) [UU] bolt, one (1) [DD] bolt and two (2) [KK] flat washers to attach one (1) mosquito net rod **M1** to middle cross beam **G1** and roof rib **F2**. Repeat with the other **M1**, two (2) **M2**, two (2) **M3** and two (2) **M4**.

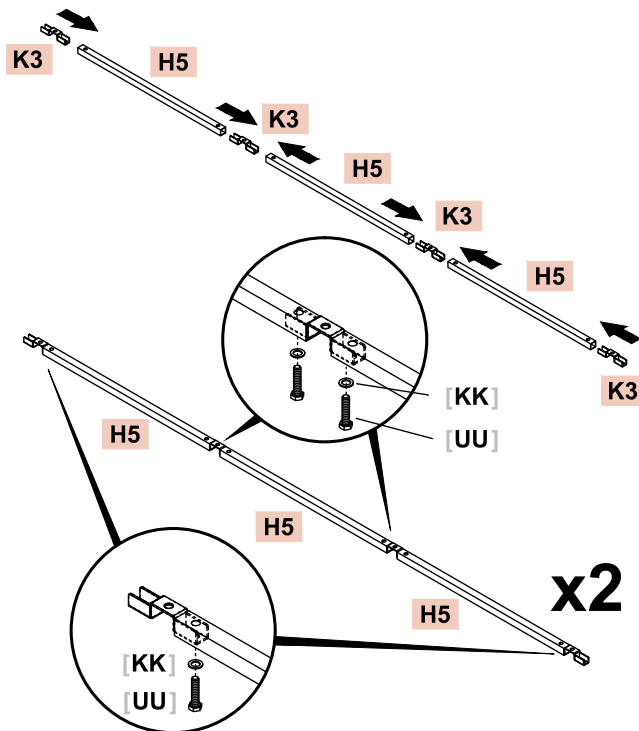


[KK] x24  
[DD] x8  
[UU] x16

**STEP 19** Slide connector **K3** into roof support **H5** as shown. Use one (1) **[UU]** bolt and one (1) **[KK]** flat washer to attach each connector **K3** on each end of assembly to roof support **H5**. Use two (2) **[UU]** bolts and two (2) **[KK]** flat washers to attach each connector **K3** in the middle to roof support **H5**. Repeat with another assembly set.

**[UU]** x12

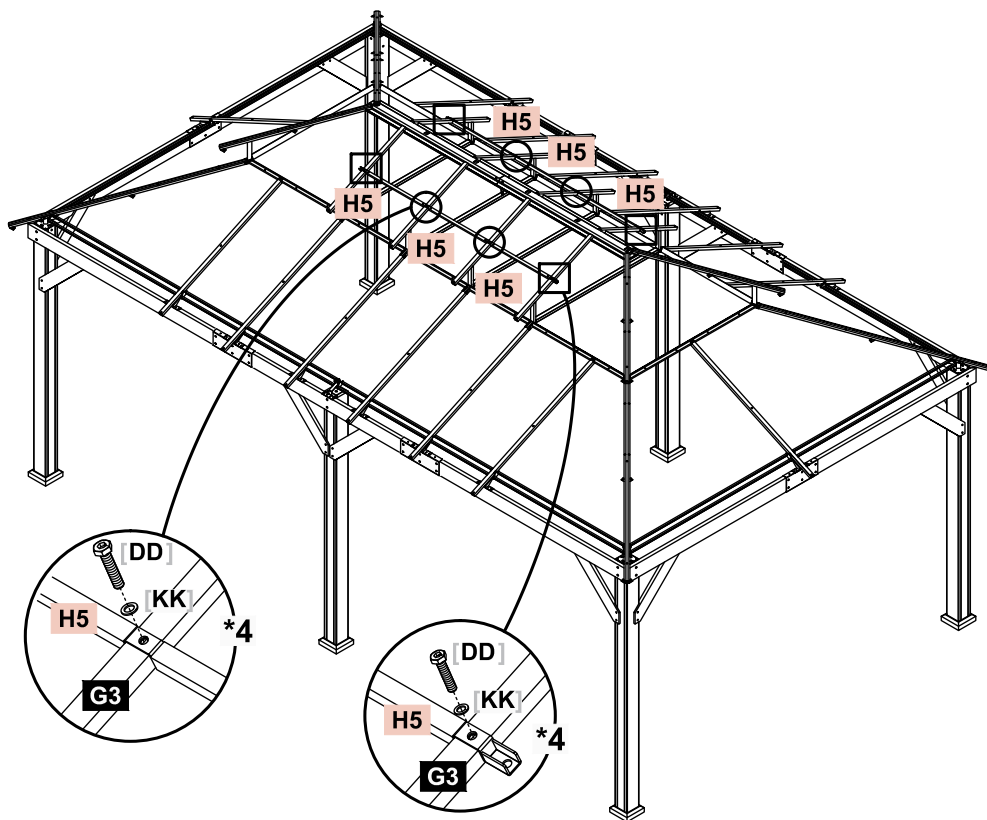
**[KK]** x12



**STEP 20** Use four (4) **[DD]** bolts and four (4) **[KK]** flat washers to attach one (1) roof support assembly **H5 K3** to middle cross beam **G3**.

**[KK]** x8

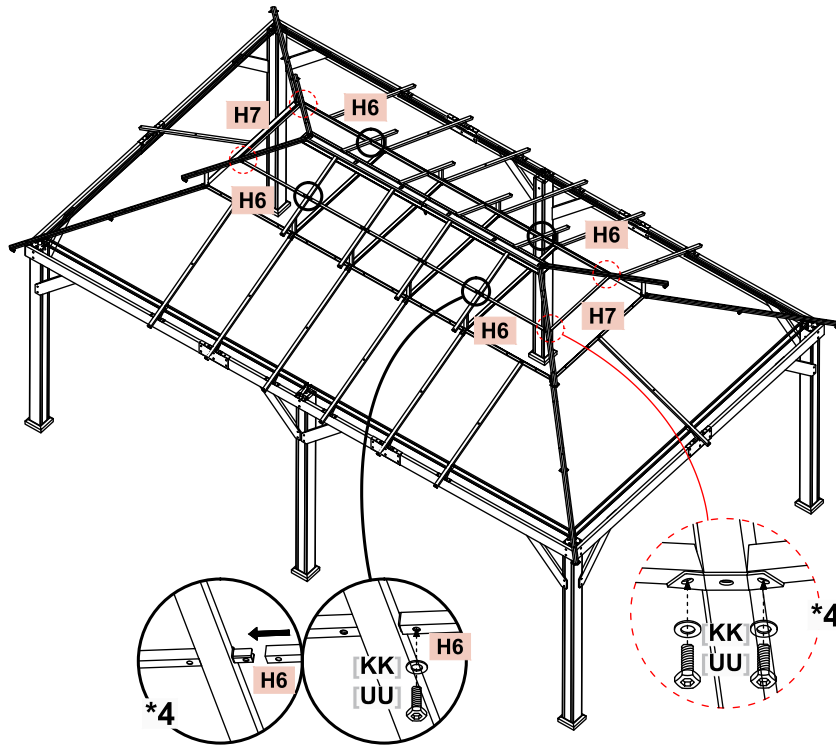
**[DD]** x8



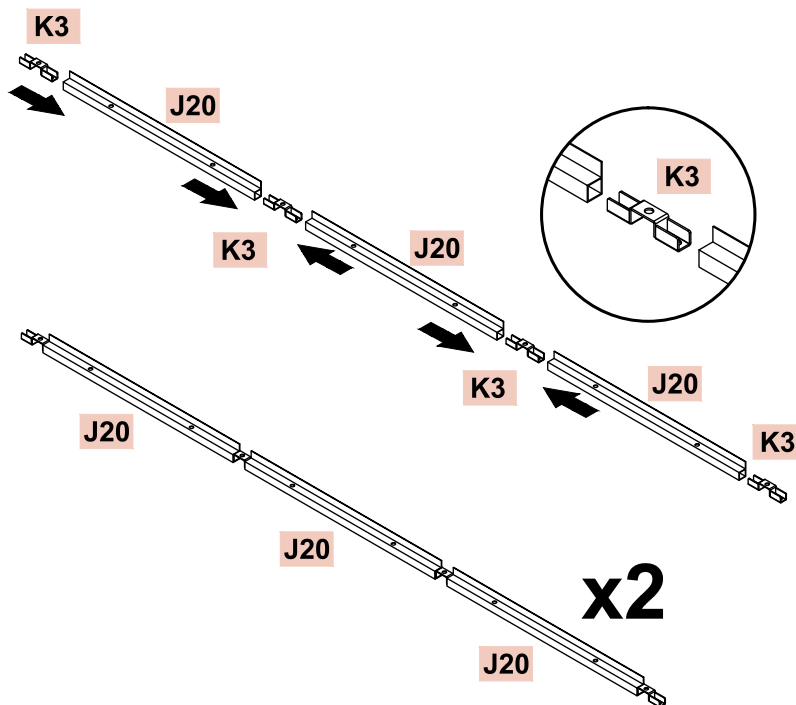
**STEP 21** Slide roof support **H6** onto middle cross beam **G3**. Use two (2) **UU** bolts and two (2) **KK** flat washers to attach one (1) roof support **H6** to middle cross beam **G3** and roof rib **F3**. Repeat with the other three (3) **H6**. Use two (2) **UU** bolts and two (2) **KK** flat washers to attach one (1) roof support **H7** to roof rib **F3**. Repeat with the other

**[KK]** x12

**[UU]** x12

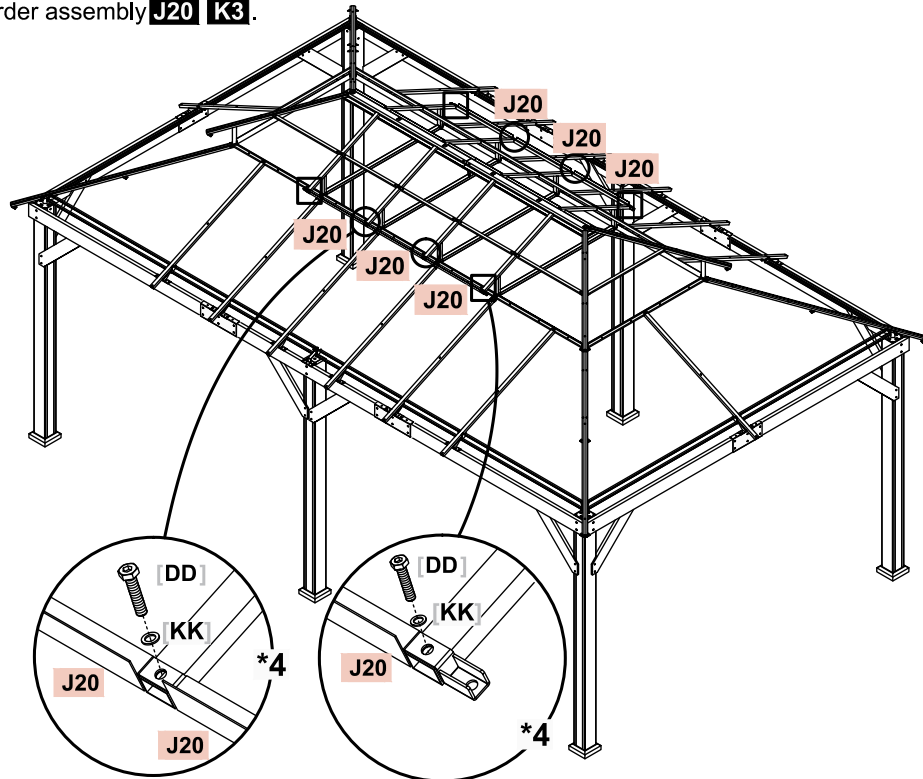


**STEP 22** Slide connector **K3** into roof lower border **J20** as shown. Repeat with the other assembly.



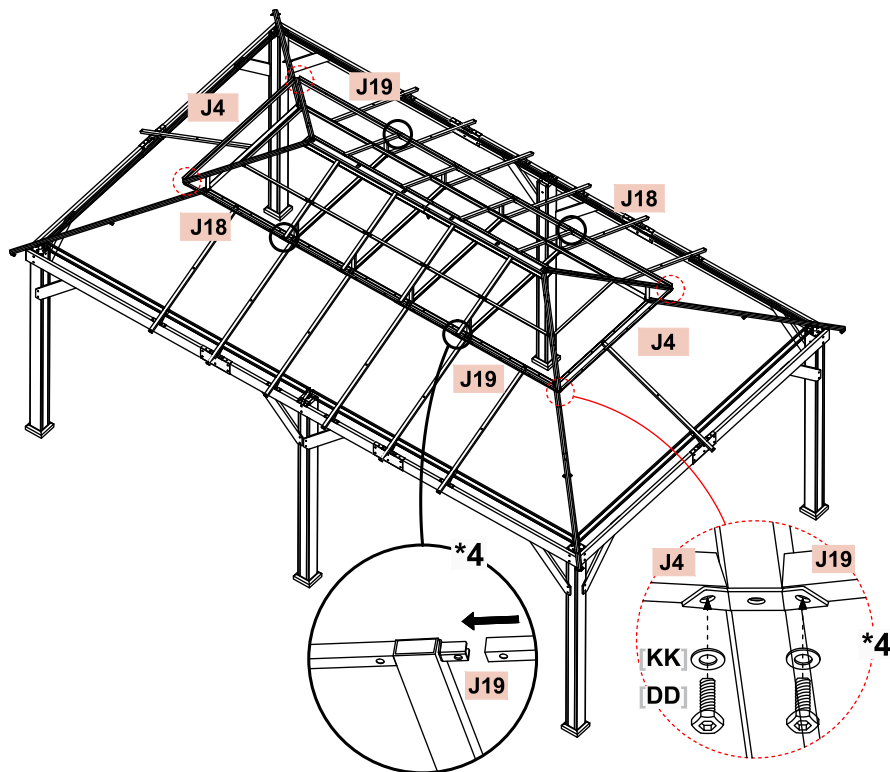
**STEP 23** Use four (4) [DD] bolts and four (4) [KK] flat washers to attach one (1) roof lower border assembly **J20** **K3** to middle cross beam **G3**. Repeat with the other roof lower border assembly **J20** **K3**.

[KK] x8  
[DD] x8



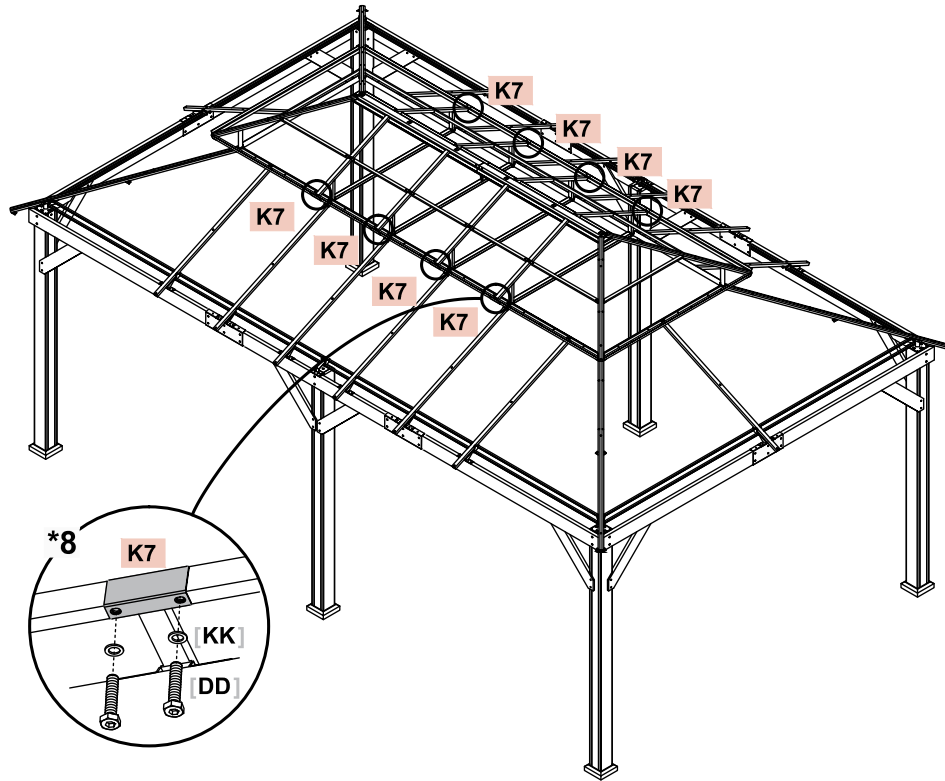
**STEP 24** Slide roof top border **J19** to middle cross beam **G3**. Use one (1) [DD] bolt and one (1) [KK] flat washer to attach one (1) roof top border **J19** to middle cross beam **G3** and roof rib **F3**. Repeat with the other **J19** and two (2) **J18**. Use two (2) [DD] bolts and two (2) [KK] flat washers to attach one (1) roof top border **J4** to roof rib **F3**. Repeat with the other **J4**.

[KK] x8  
[DD] x8



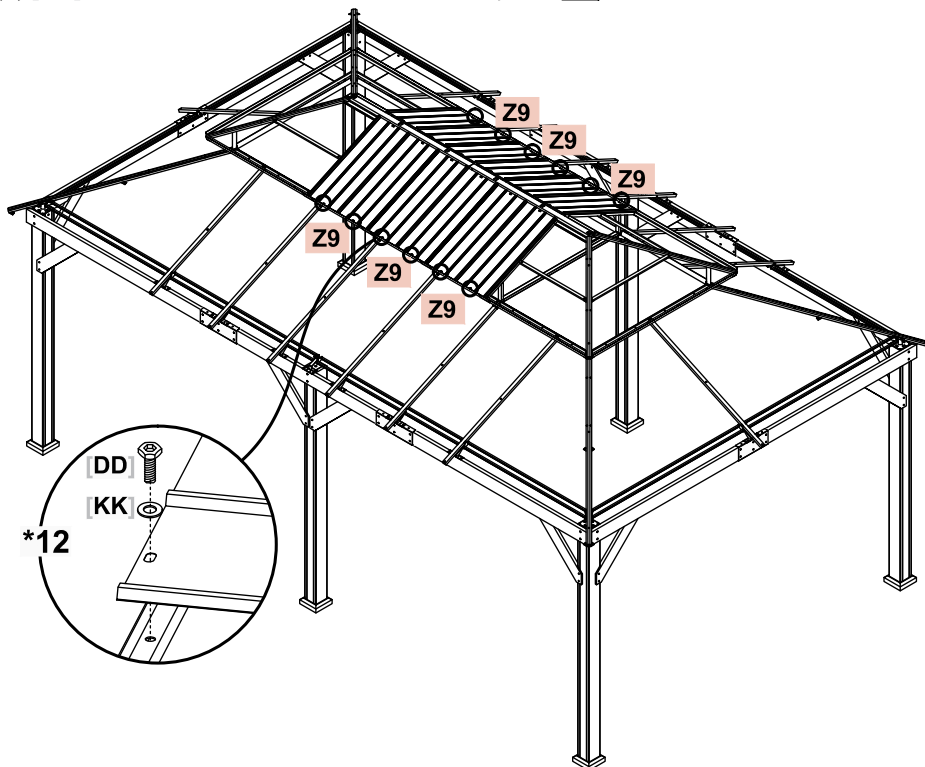
**STEP 25** Use two (2) [DD] bolts and two (2) [KK] flat washers to attach one (1) connector [K7] to roof top borders. Repeat with the other seven (7) connector [K7].

[KK] x16  
[DD] x16



**STEP 26** DO NOT tighten the bolts completely until all the bolts and washers are properly installed. Overlap the edges of the adjacent roof plates together. Use one (1) [DD] bolt and one (1) [KK] flat washer to attach each hole of roof plates [Z9] to the frame.

[KK] x12  
[DD] x12

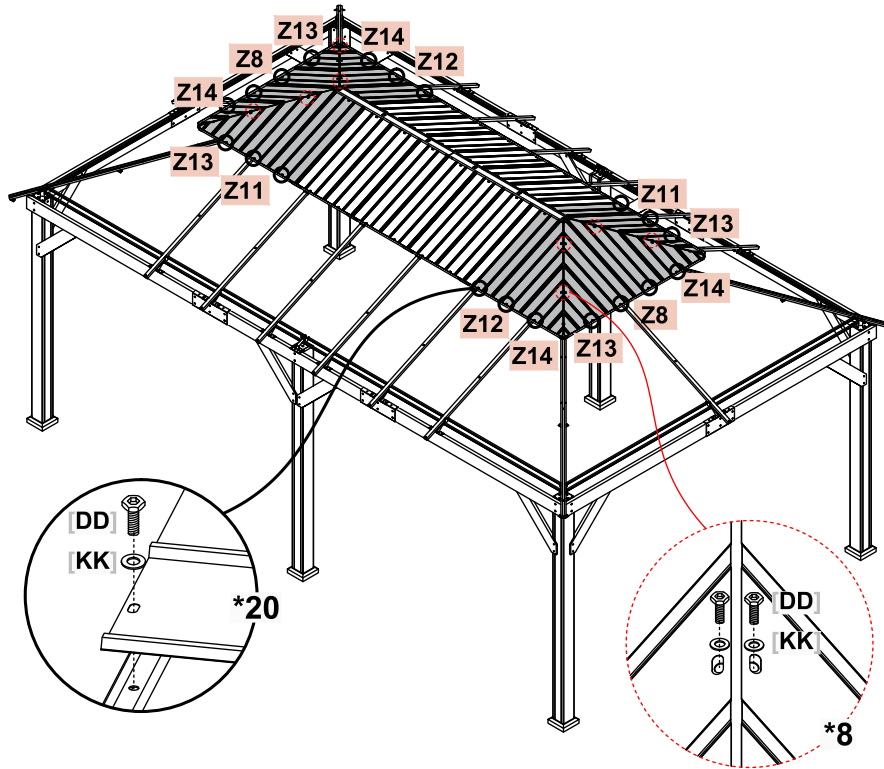


**STEP 27** Overlap the edges of the adjacent roof plates together.

Use one (1) [DD] bolt and one (1) [KK] flat washer to attach each hole of roof plates [Z8], [Z11], [Z12], [Z13], [Z14] to the frame.

[KK] x36

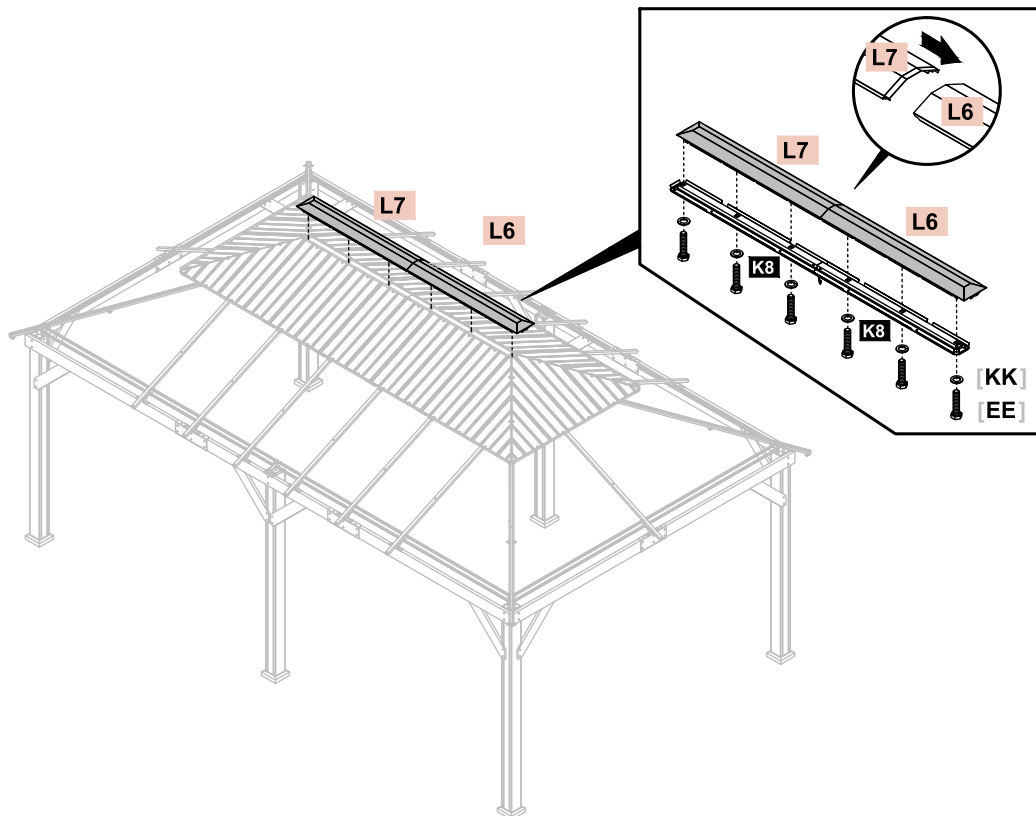
[DD] x36



**STEP 28** Slide roof rib cover [L6] onto [L7]. Use six (6) [EE] and six (6) [KK] connector assembly [K8] to roof rib cover [L6] [L7].

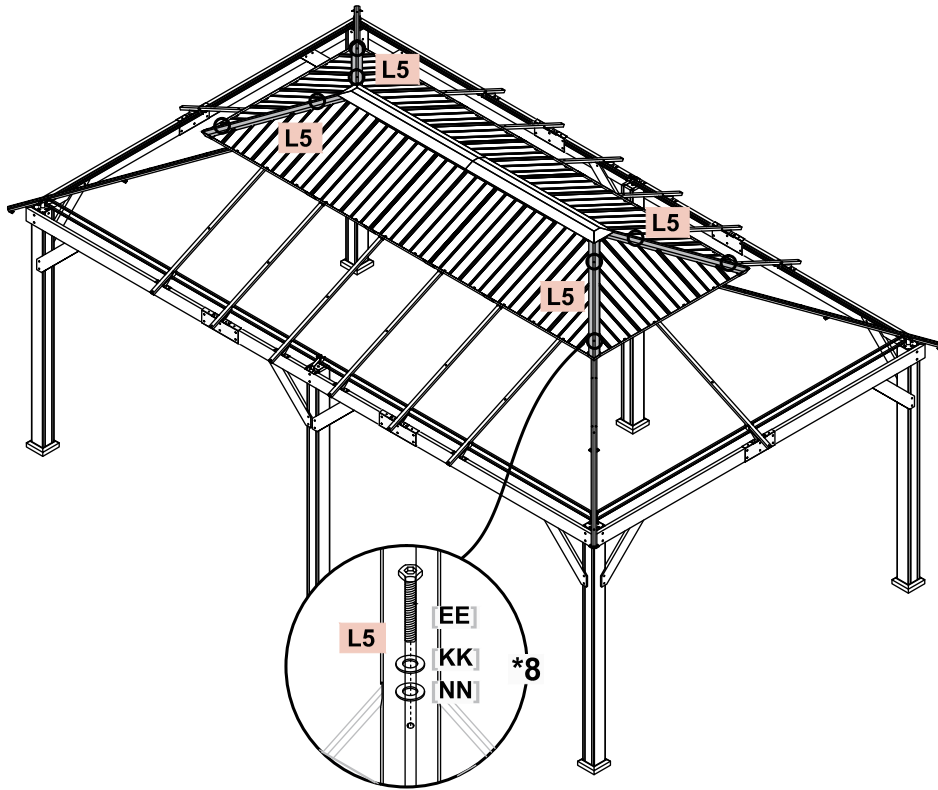
[KK] x6

[EE] x6

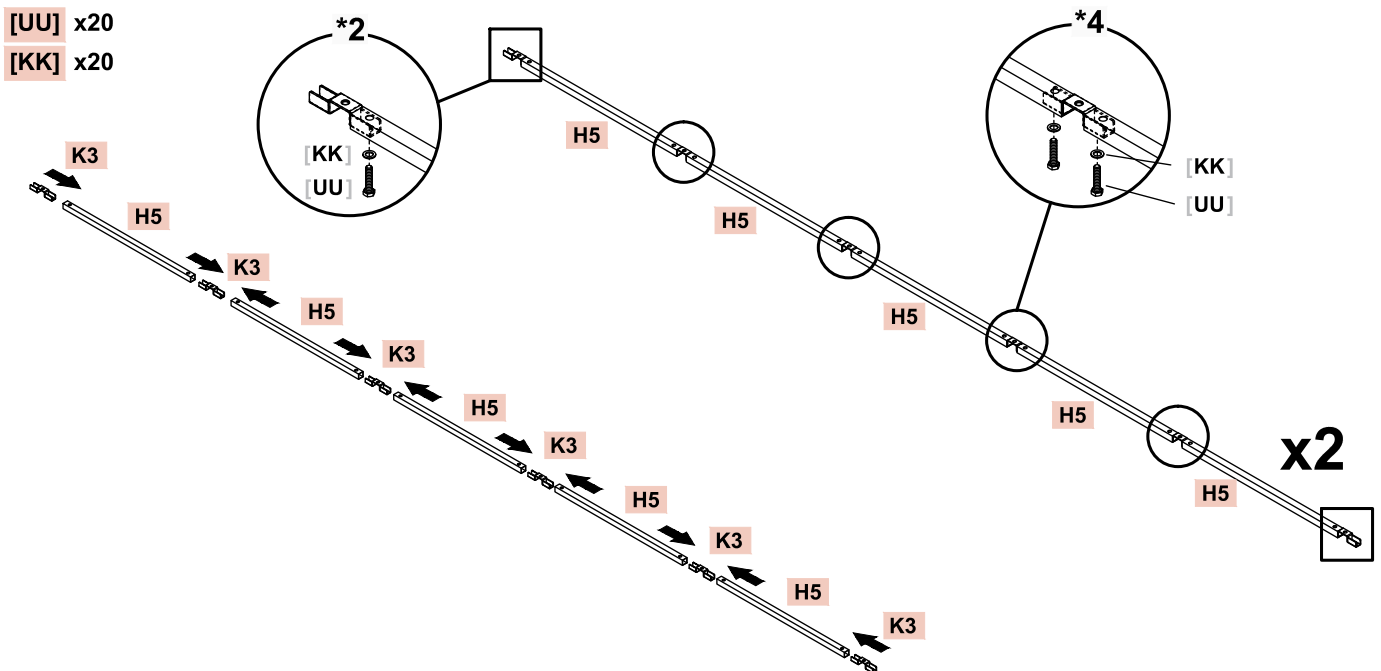


**STEP 29** Use two (2) [EE], two (2) [KK] flat washers and two (2) [NN] flat washers to attach one (1) roof rib cover [L5] to the top roof. Repeat with the other three (3) roof rib cover [L5].

- [KK] x8
- [EE] x8
- [NN] x8

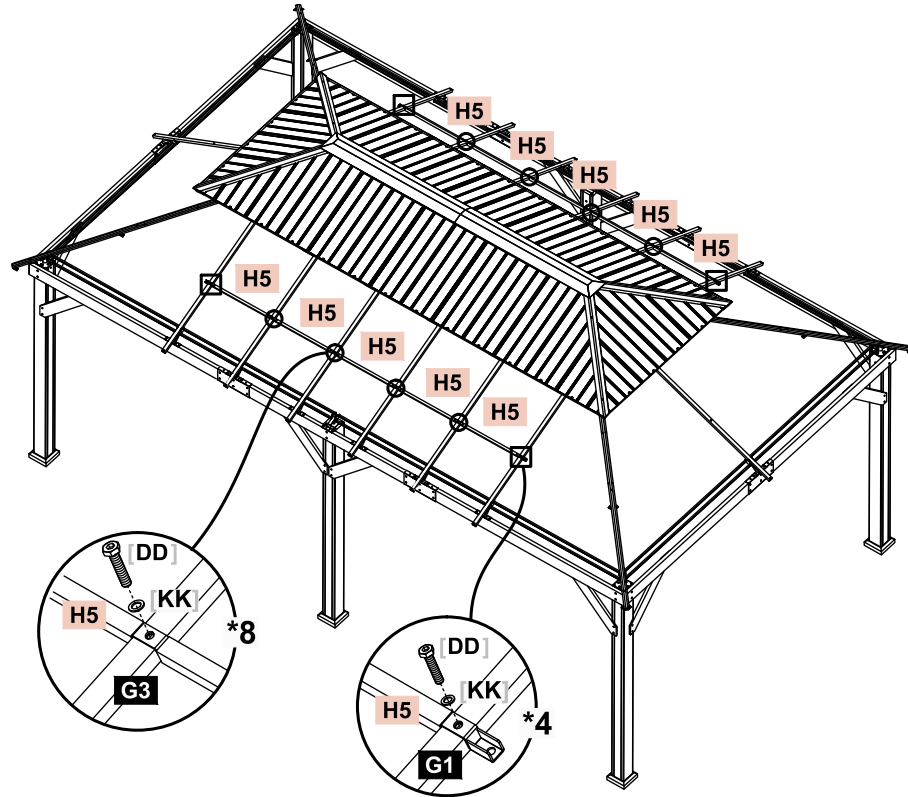


**STEP 30** Slide connector [K3] into roof support [H5] as shown. Use one (1) [UU] bolt and one (1) [KK] flat washer to attach each connector [K3] on each end of assembly to roof support [H5]. Use two (2) [UU] bolts and two (2) [KK] flat washers to attach each connector [K3] in the middle to roof support [H5]. Repeat with another assembly set.



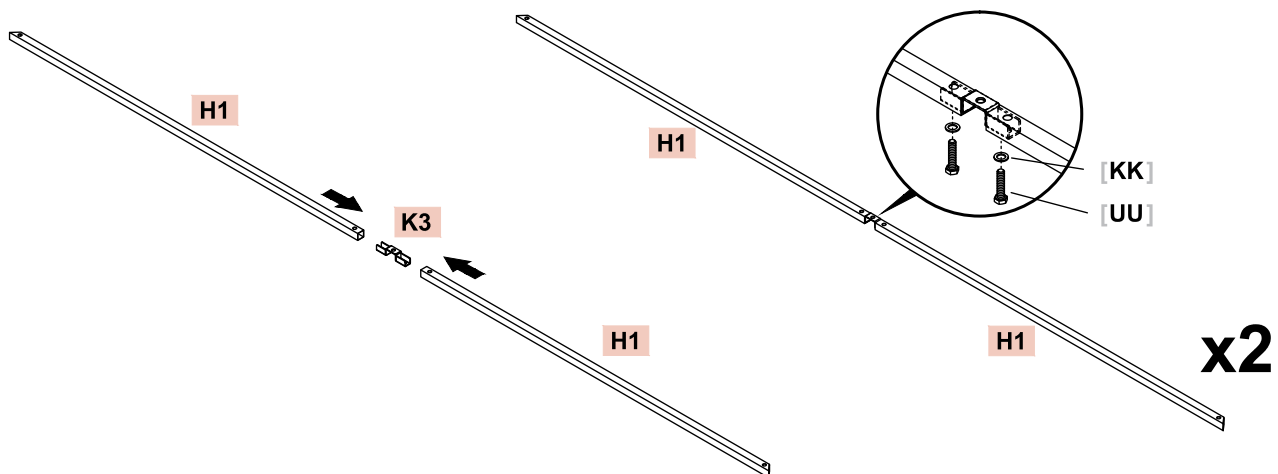
**STEP 31** Use six (6) [DD] bolts and six (6) [KK] flat washers to attach one (1) roof support assembly [H5] [K3] to middle cross beam [G1] [G3].

[DD] x12  
[KK] x12



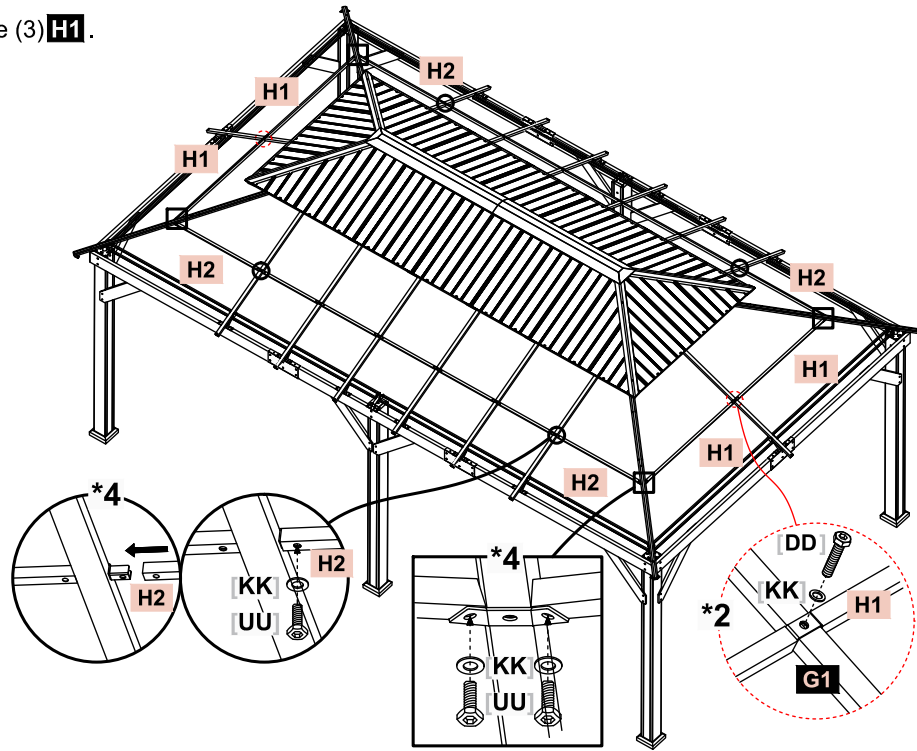
**STEP 32** Slide roof support [H1] onto connector [K3]. Use two (2) [UU] bolts and two (2) [KK] flat washers to attach connector [K3] to roof support [H1].

[KK] x4  
[UU] x4

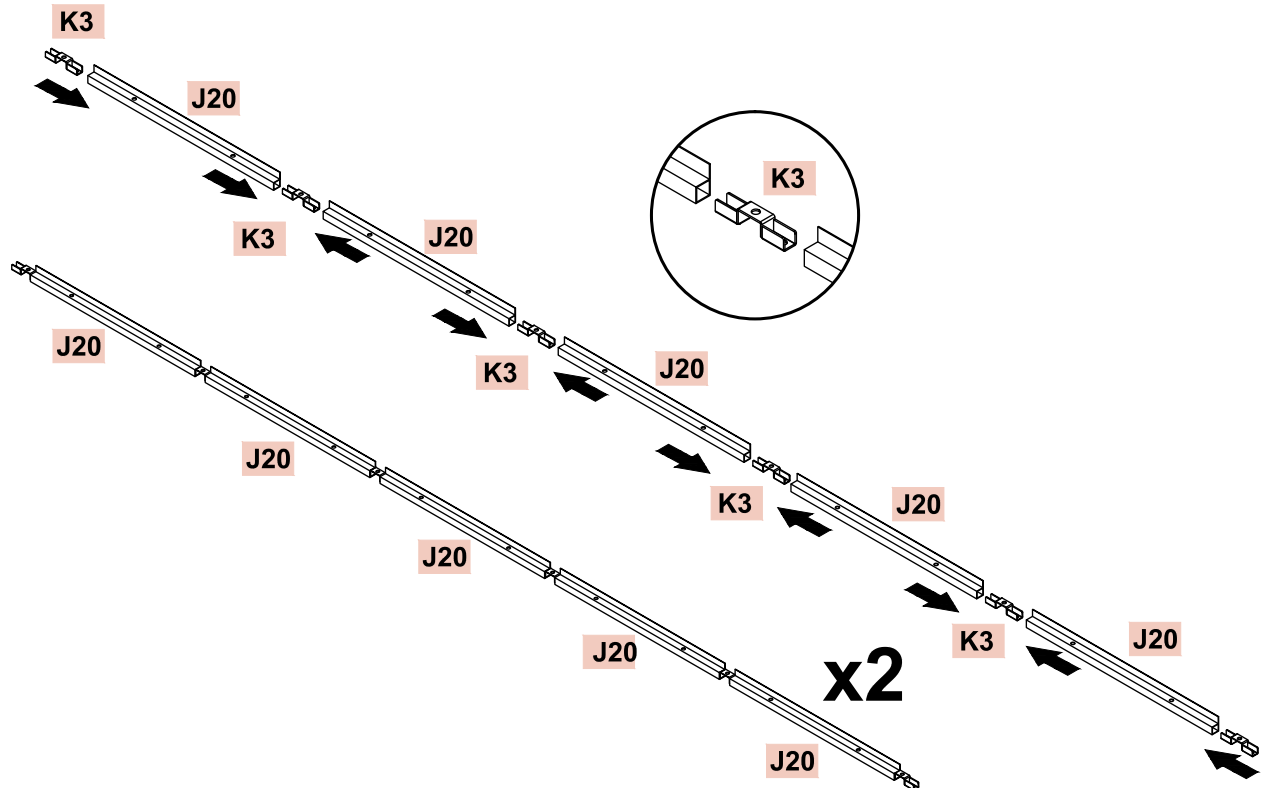


**STEP 33** Uslide roof support **H2** onto middle cross beam **G1**. Use two (2) **[UU]** bolts and two (2) **[KK]** flat washers to attach one (1) roof support **H2** to middle cross beam **G1** and roof rib **F2**. Repeat with the other three (3) **H2**. Use one (1) **[UU]** bolt, one (1) **[DD]** bolt and two (2) **[KK]** flat washers to attach one (1) roof support **H1** to roof rib **F2** and middle cross beam **G1**. Repeat with the other three (3) **H1**.

- [KK]** x14
- [UU]** x12
- [DD]** x2



**STEP 34** Slide connector **K3** into roof lower border **J20** as shown. Repeat with the other assembly.

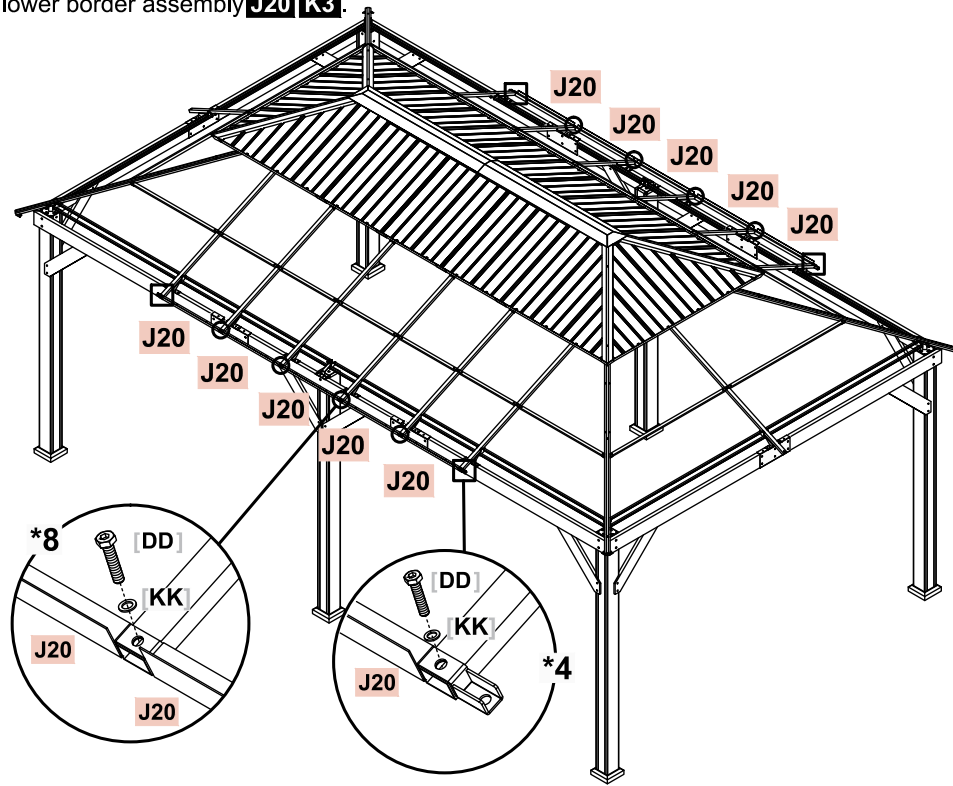


**STEP 35** Use six (6) [DD] bolts and six (6) [KK] flat washers to attach one (1) roof lower border assembly **J20** **K3** to middle cross beam **G1** **G3**.

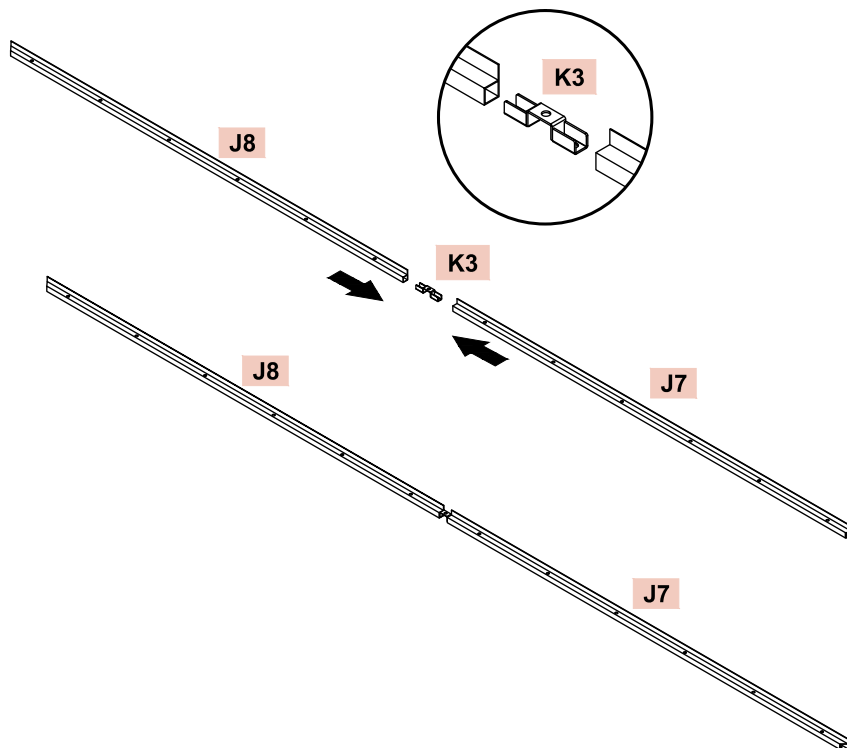
Repeat with the other roof lower border assembly **J20** **K3**.

[KK] x12

[DD] x12



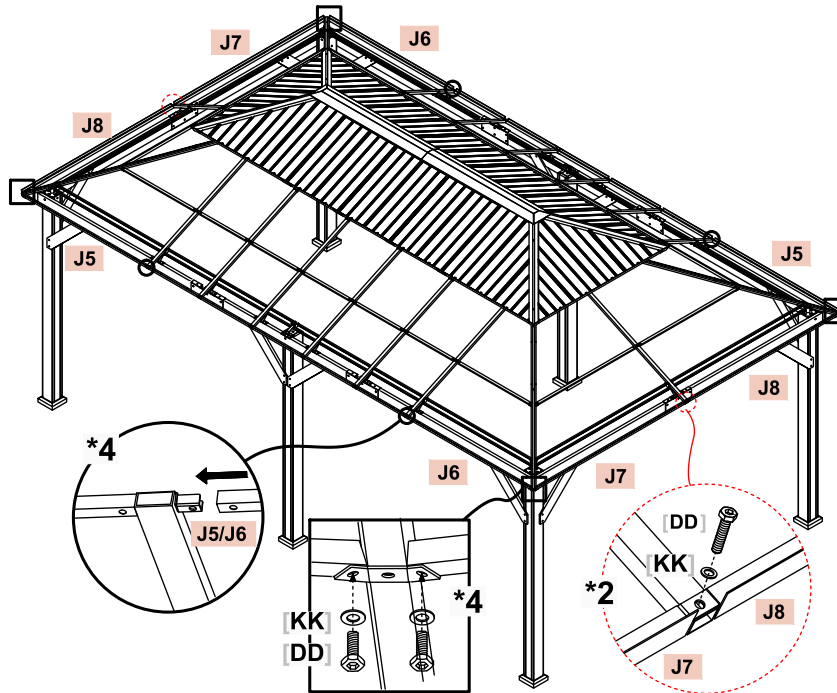
**STEP 36** Slide roof lower border **J7** and **J8** onto connector **K3** as shown.



**STEP 37.** Slide roof lower border **J6** onto connector **K3**. Use two (2) **[DD]** bolts and two (2) **[KK]** flat washers to attach one (1) roof lower border **J6** to roof rib **F2** and middle cross beam **G1**. Repeat with the other **J6** and two (2) **[J5]**. Use three (3) **[DD]** bolts and three (3) **[KK]** flat washers to attach one (1) roof lower border assembly **J7 J8** to roof rib **F2** and middle cross beam **G1**. Repeat with the other assembly **J7 J8**.

**[KK]** x10

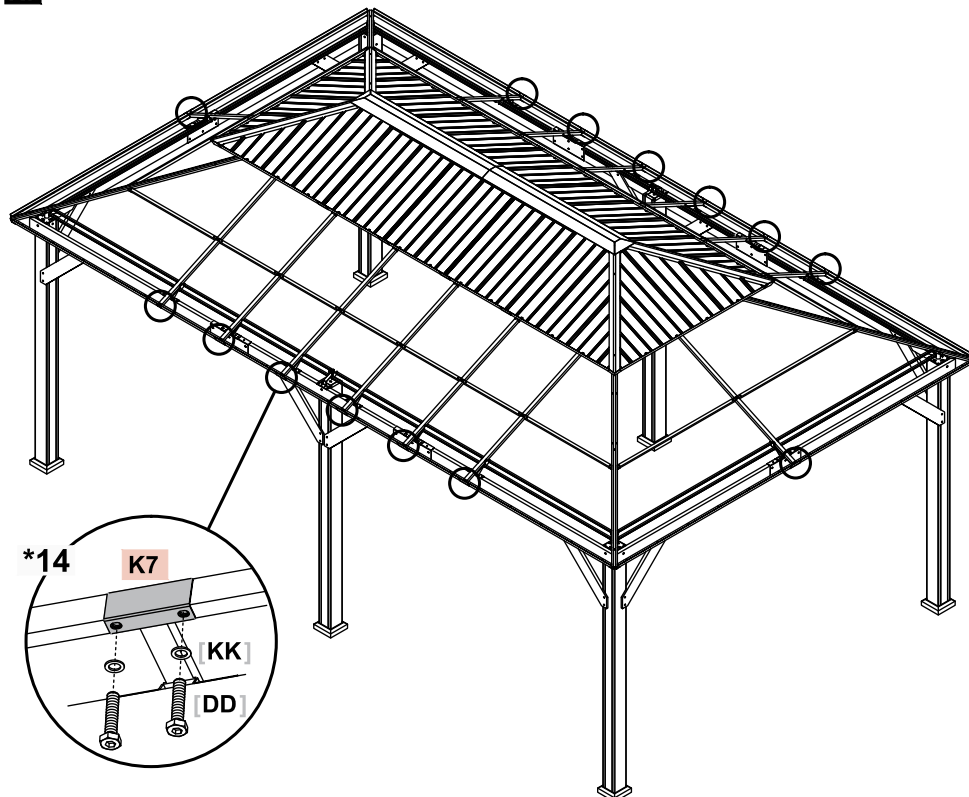
**[DD]** x10



**STEP 38.** Use two (2) **[DD]** bolts and two (2) **[KK]** flat washers to attach one (1) connector **K7** to roof lower borders. Repeat with the other thirteen (13) connector **K7**.

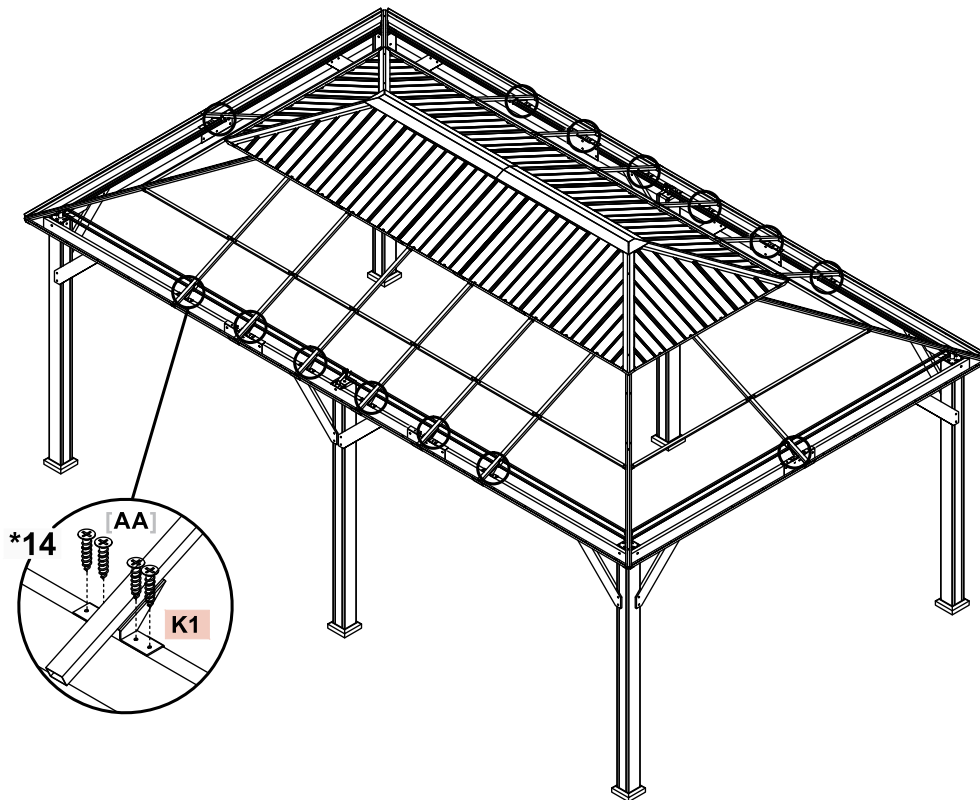
**[KK]** x28

**[DD]** x28



**STEP 39** Use four (4) [AA] bolts to secure connector [K1] on the lower end of [G1] / [C3] to cross beams. Repeat with the other thirteen (13) connectors [K1].

[AA] x56



**STEP 40** DO NOT tighten the bolts completely until all the bolts and washers are properly installed.

Overlap the edges of the adjacent roof plates together.

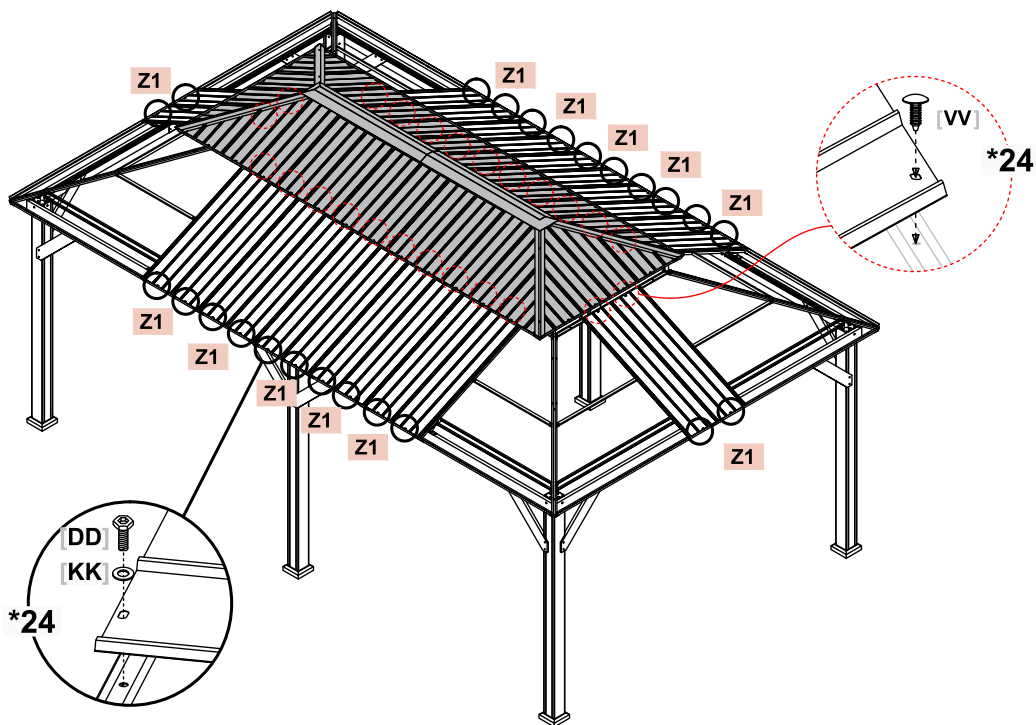
Use one (1) [DD] bolt and one (1) [KK] flat washer to attach each hole of lower end of roof plates [Z1] to the frame.

Use one (1) [VV] bolt to attach each hole of upper end of roof plates [Z1] to the frame.

[KK] x24

[DD] x24

[VV] x24



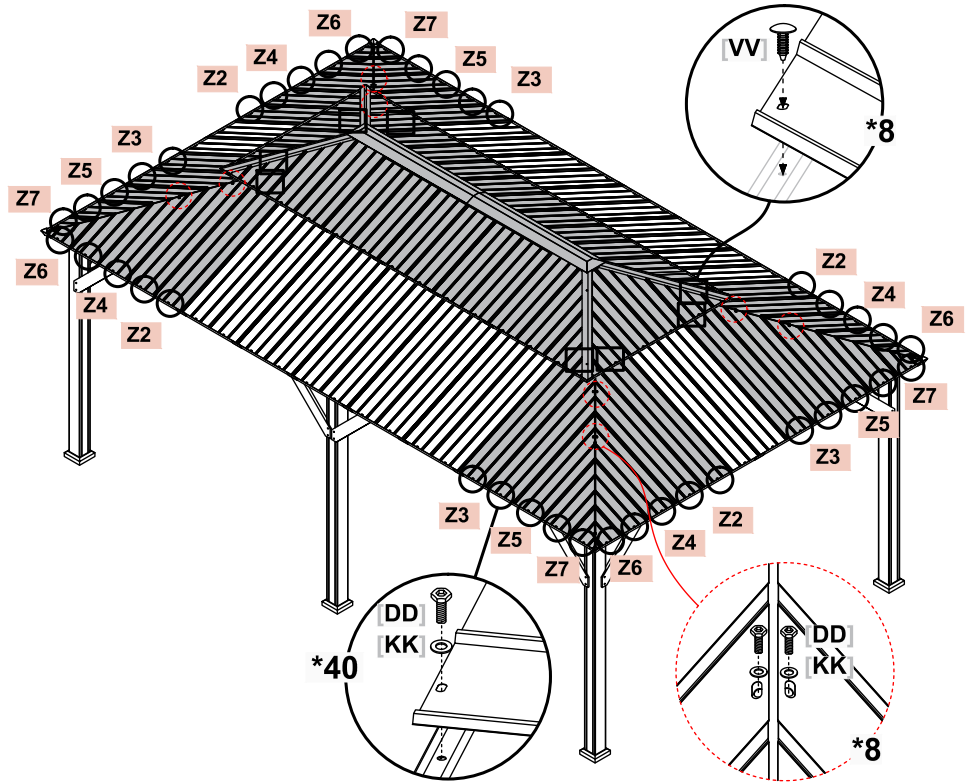
**STEP 41** Use one (1) [DD] bolt and one (1) [KK] flat washer to attach each hole of lower end of roof plates [Z2], [Z3], [Z4], [Z5], [Z6], [Z7] to the frame.

Use one (1) [VV] bolt to attach each hole of top end of roof plates [Z2], [Z3], [Z4], [Z5], [Z6], [Z7] to the frame.

[KK] x56

[DD] x56

[VV] x8

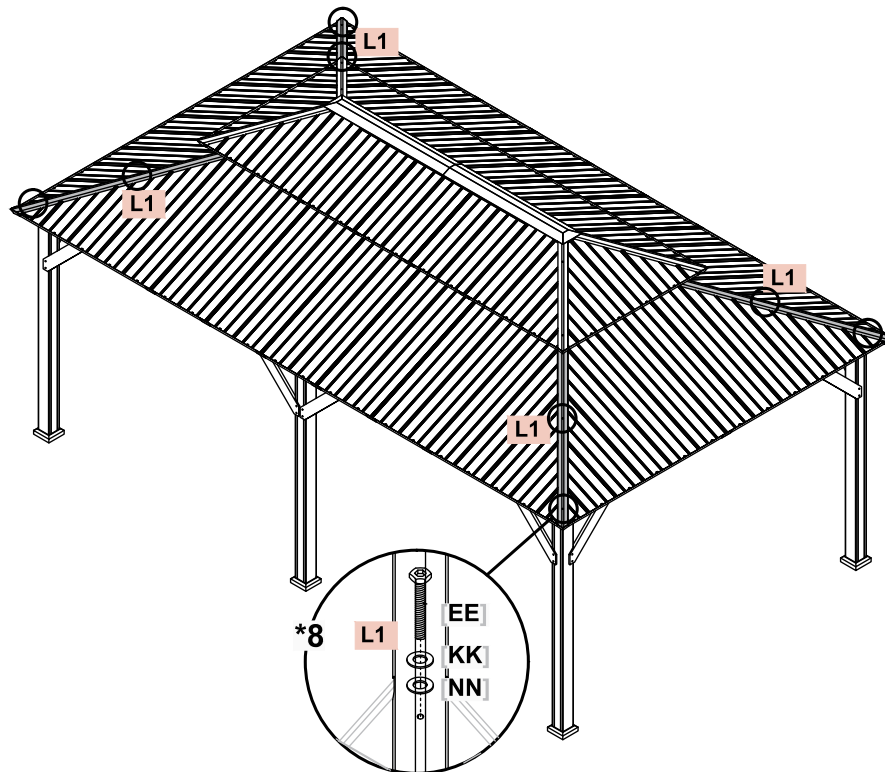


**STEP 42** Use two (2) [EE], two (2) [KK] flat washers and two (2) [NN] flat washers to attach one (1) roof rib cover [L1] to the top roof. Repeat with the other three (3) roof rib cover [L1].

[KK] x8

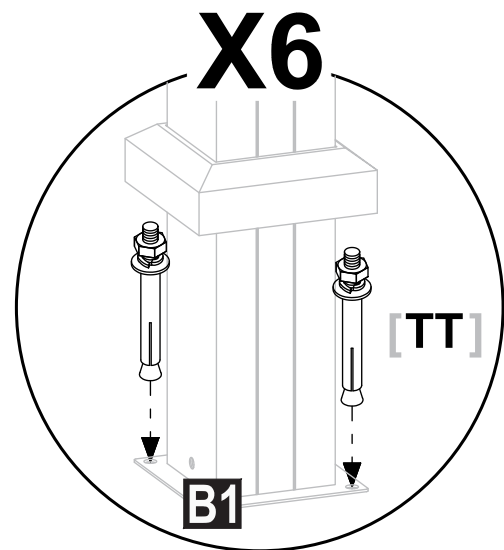
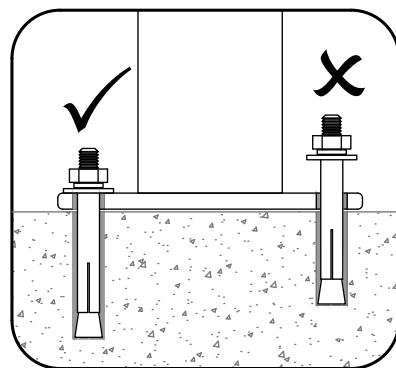
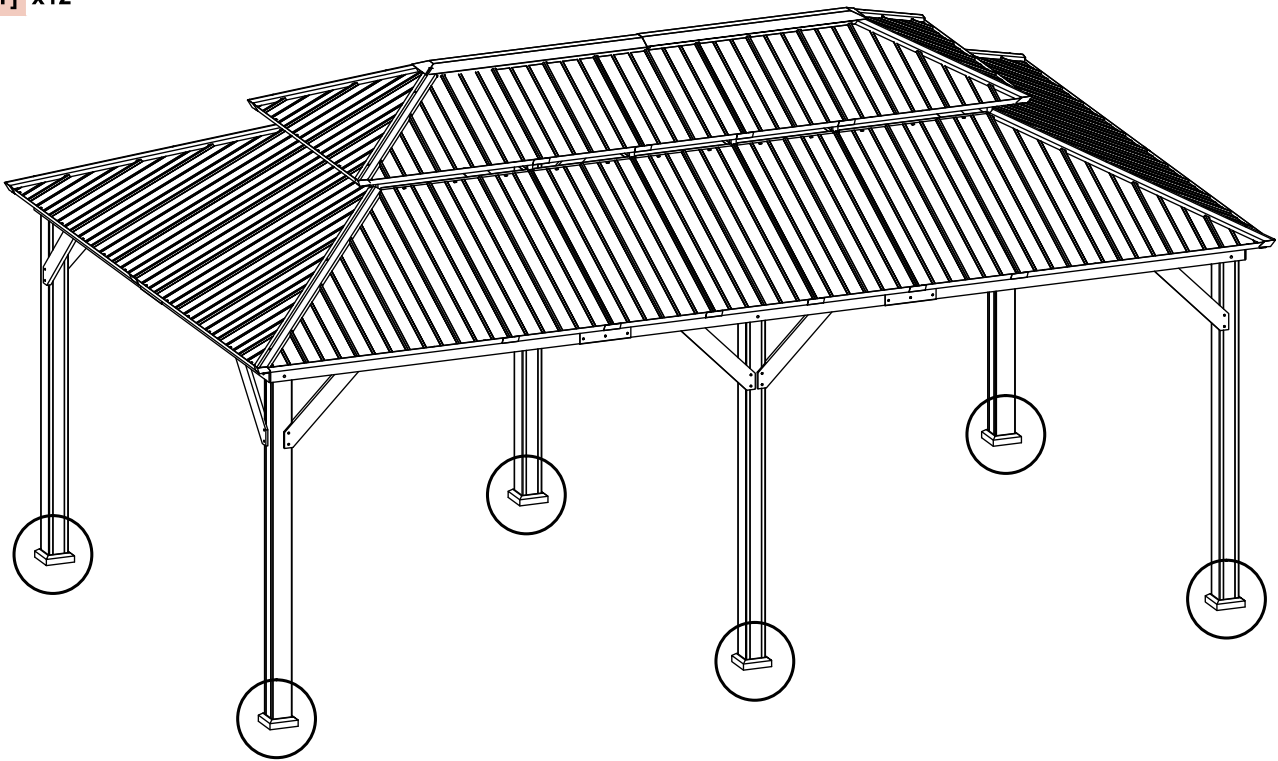
[EE] x8

[NN] x8



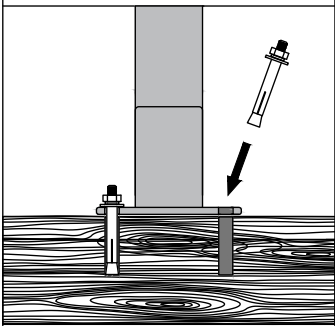
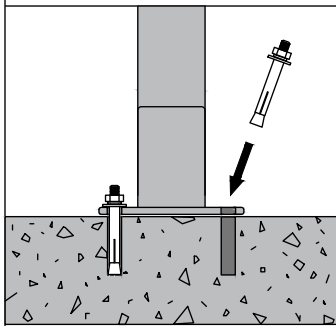


**STEP 43** Use two (2) [TT] expansion bolts to anchor each post foot base **B1**. please make sure the We recommend using a 3/8 inch drill bit when installing the included expansion bolts.

[TT] x12



Outdoor Structure anchoring guide for anchoring gazebo to wood or concrete: If step 43, on page 26 in the assembly instructions is not properly completed, this will void the warranty.

**⚠ WARNING! If your gazebo is not properly anchored, damage could occur.** It is highly recommended for maximum safety that you mount and secure to wood or concrete footers. This is far better and safer than using ground stakes. The following are some examples of how to mount the structure to wood or concrete surfaces. Refer to local building codes or consider consulting a licensed contractor for assistance in the anchoring of this product.

WOOD	CONCRETE
	
<p>Anchors should be drilled into joists or reinforced blocking (not only deck boards).</p>	<p>Pre-drill holes for appropriately sized concrete anchors.</p>
 <p>Recommended Hardware: Expansion Bolt</p>	 <p>Recommended Hardware: Expansion Bolt</p>

If digging for foundation, please double check for possibility of any underground utilities such as gas, telephone, cable or sprinkler lines. Refer to your local building and city codes, ordinances, neighborhood covenants, or height restrictions regarding this type of structure for guidance on acceptable installation requirements.

**⚠ CAUTION**  
DO NOT climb or walk on roof for any reason.

- Our components are intended for privacy, decorative and ornamental use only.
- Product is NOT INTENDED for the following:
  - A safety barrier to prevent unsupervised access to pools, hot tubs, spas or ponds.
  - As load bearing support for a building, structure, heavy objects or swings.
  - Used in structures that trap wind, rain or snow that would create extra load on the product.
  - Accumulated snow must be removed from roof.
  - DO NOT climb or walk on roof for any reason.

### LIMITED WARRANTY

We warrants this product against defects in materials and workmanship for a period of one (1) year from the original date of purchase. To the extent any such defects occur, our products will send the appropriate replacement part(s) at no charge.

This warranty does not cover:

- Inspection costs or labor for replacement of any defective parts);
- Incidental or consequential damages;
- Cosmetic defects which DO NOT affect performance;
- Normal wear and tear;
- Damage due to vandalism; acts of nature, including but not limited to wind, storms, hail, floods;
- Improper assembly, installation, or use;
- Discoloration or fading of the finish as a result of exposure to chemicals, spills, pool or salt water
- Corrosion/ rust.

Your product has been designed for safety and quality.

Any modifications made to the original product could compromise its structural integrity or function, and could lead to product failure or personal injury. As such, modifying this product voids any and all warranties.

This product is warranted for RESIDENTIAL USE ONLY, and is not for commercial, contract or other non-residential purposes. Products disclaims all other representations and warranties of any kind, express or implied.

The warranty applies to the original purchaser and is non-transferable. It does not apply to purchases of display models, or when the product is sold on clearance or "as is".

We makes no warranty whatsoever in respect to accessories or parts not supplied with it. This warranty shall apply only within the boundaries of the United States of America and Canada. This warranty gives the original purchaser specific rights, and the original purchaser may also have other rights, which vary from state to state.

