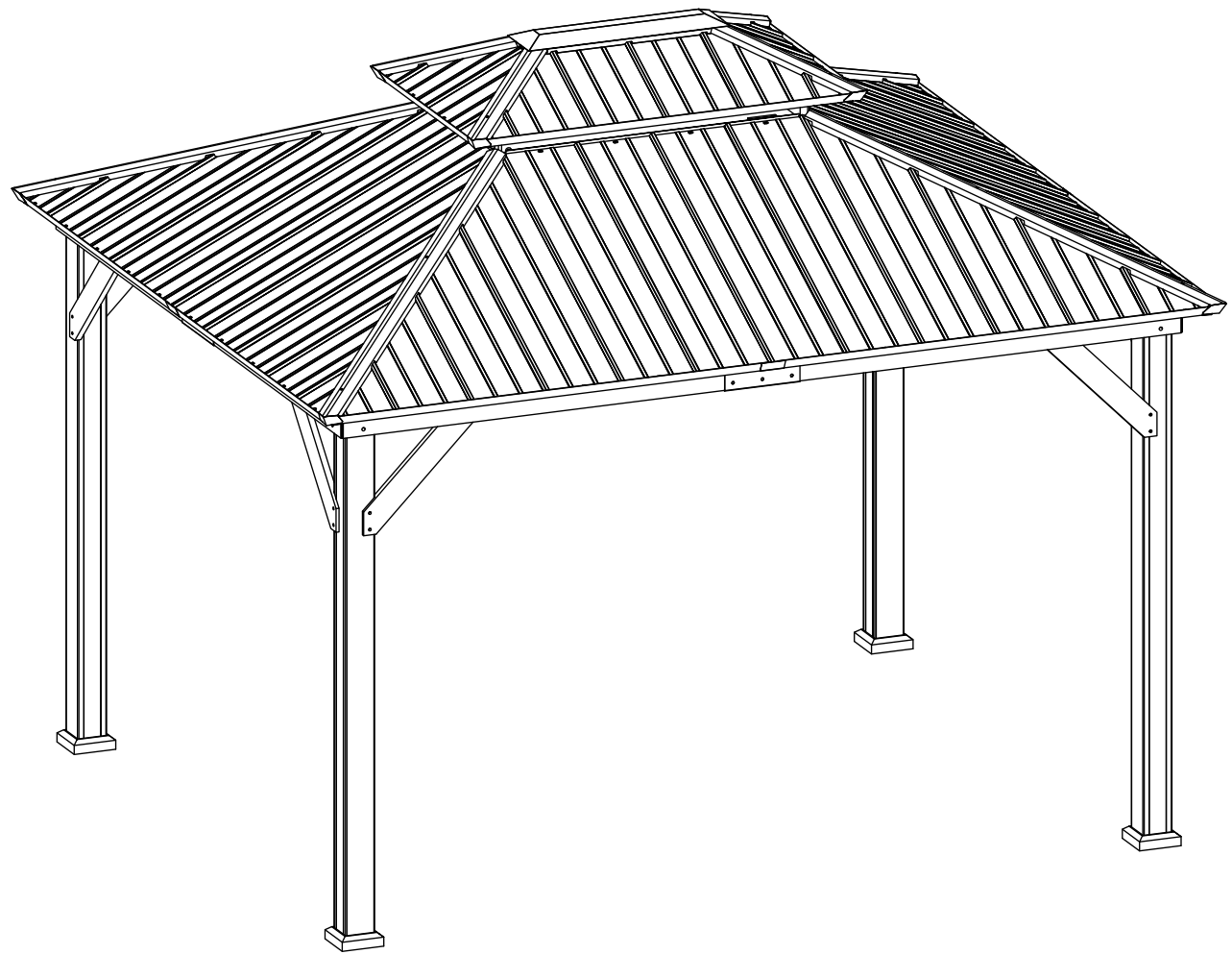


**MODEL: IG10600013C-1012**



OWNER'S MANUAL

## Rosewood 10' x 12' Cedar Framed Hard Top Gazebo

### TABLE OF CONTENTS


**ASSEMBLY GUIDE**.....02  
**USING YOUR PRODUCT**.....05

June 16, 2025

### QUESTIONS?

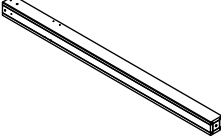
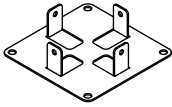
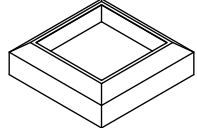
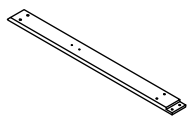
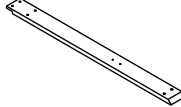
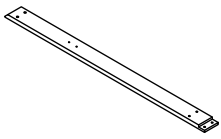
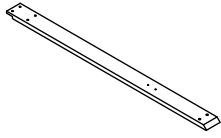
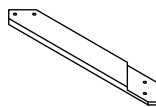
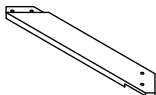

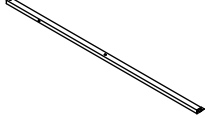
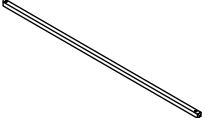
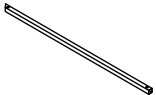

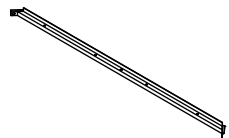
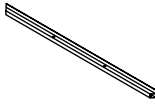
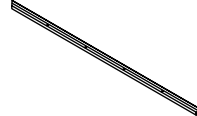
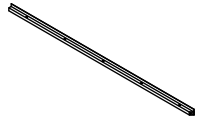
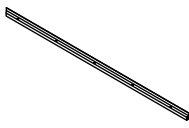
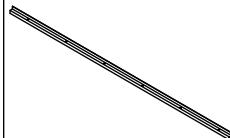
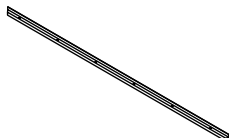
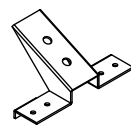
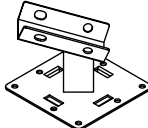
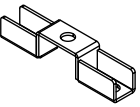
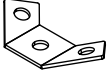
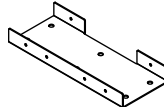
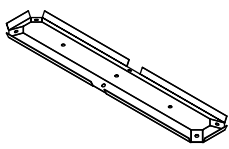
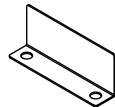
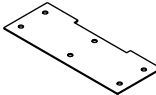
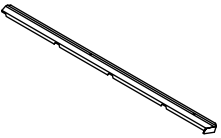
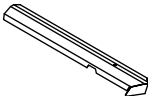
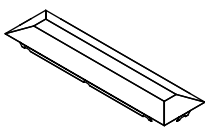


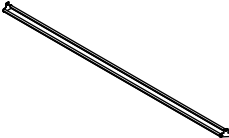
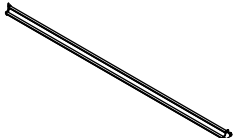
 **E-mail:** [support@modernshade.org](mailto:support@modernshade.org)


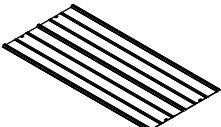
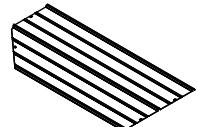
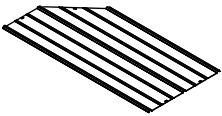
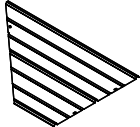
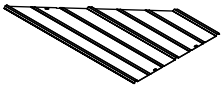
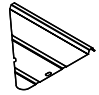

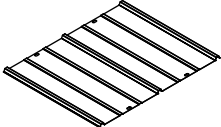
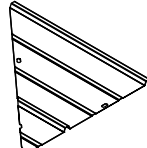
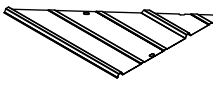
 **Toll Free Number:** 1-888-666-3070

 **Mon-Fri:** 9:00 AM - 5:00 PM PST.

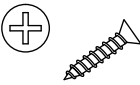
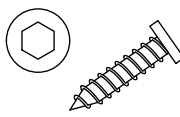
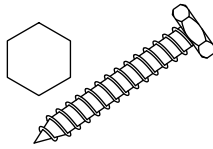
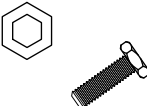
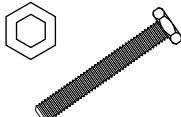
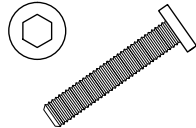
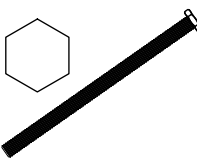
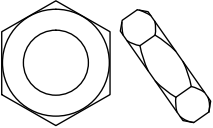

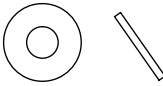

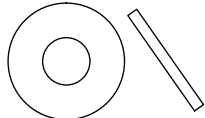
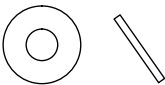
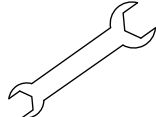
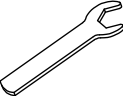
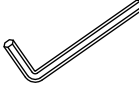
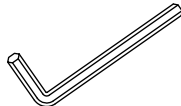
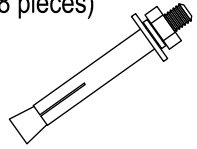
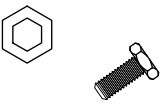
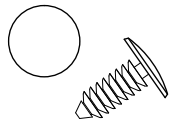
# ASSEMBLY GUIDE

## PARTS LIST

<b>A1</b> Post 1 (4 pieces) 	<b>B1</b> Foot Base 1 (4 pieces) 	<b>C1</b> Foot Cover 1 (4 pieces) 	<b>D1</b> Cross Beam 1 (2 pieces) 	<b>D2</b> Cross Beam 2 (2 pieces) 	<b>D3</b> Cross Beam 3 (2 pieces) 
P0010000701	P0030000301	P0020000301	P0040015901	P0040016001	P0040016101
<b>D4</b> Cross Beam 4 (2 pieces) 	<b>E1</b> Support Bracket 1 (4 pieces) 	<b>E2</b> Support Bracket 2 (4 pieces) 	<b>F1</b> Roof Rib 1 (4 pieces) 	<b>G1</b> Middle Cross Beam 1 (4 pieces) 	<b>H1</b> Top Beam 1 (4 pieces) 
P0040016201	P0050000501	P0050000601	P0070000102	P0080000102	P0090000102
<b>H2</b> Top Beam 2 (4 pieces) 	<b>J1</b> Roof Support 1 (2 pieces) 	<b>J2</b> Roof Support 2 (2 pieces) 	<b>J3</b> Roof Support 3 (2 pieces) 	<b>J4</b> Roof Support 4 (2 pieces) 	<b>J5</b> Roof Support 5 (2 pieces) 
P0090000202	P0090000902	P0090001002	P0090001302	P0090001402	P0090001502
<b>J6</b> Roof Support 6 (2 pieces) 	<b>J7</b> Roof Support 7 (2 pieces) 	<b>J8</b> Roof Support 8 (2 pieces) 	<b>K1</b> Connector 1 (4 pieces) 	<b>K2</b> Connector 2 (4 pieces) 	<b>K3</b> Connector 3 (8 pieces) 
P0090001602	P0090001702	P0090001802	P0060001501	P0060001701	P0060000501
<b>K4</b> Connector 4 (12 pieces) 	<b>K5</b> Connector 5 (4 pieces) 	<b>K6</b> Connector 6 (1 piece) 	<b>K7</b> Connector 7 (4 pieces) 	<b>K11</b> Connector 11 (4 pieces) 	<b>L1</b> Roof Rib Cover 1 (4 pieces) 
P0060000602	P0110005301	P0060000702	P0110000502	P0110005401	P0120000102
<b>L2</b> Roof Rib Cover 2 (4 pieces) 	<b>L3</b> Roof Cover 3 (1 piece) 	<b>M1</b> Mosquito Net Rod 1 (2 pieces) 	<b>M2</b> Mosquito Net Rod 2 (2 pieces) 	<b>M3</b> Mosquito Net Rod 3 (2 pieces) 	<b>M4</b> Mosquito Net Rod 4 (2 pieces) 
P0120000202	P0120000502	P0100000801	P0100000901	P0100001601	P0100001701

<p><b>N</b> Hook (1 piece)</p> 	<p><b>Z1</b> Roof Plate 1 (2 pieces)</p> 	<p><b>Z2</b> Roof Plate 2 (4 pieces)</p> 	<p><b>Z3</b> Roof Plate 3 (4 pieces)</p> 	<p><b>Z4</b> Roof Plate 4 (4 pieces)</p> 	<p><b>Z5</b> Roof Plate 5 (4 pieces)</p> 
<p>P1000000100</p>	<p>P0130000199</p>	<p>P0130000299</p>	<p>P0130000399</p>	<p>P0130000499</p>	<p>P0130000599</p>
<p><b>Z6</b> Roof Plate 6 (4 pieces)</p> 	<p><b>Z7</b> Roof Plate 7 (4 pieces)</p> 	<p><b>Z10</b> Roof Plate 10 (2 pieces)</p> 	<p><b>Z13</b> Roof Plate 13 (4 pieces)</p> 	<p><b>Z14</b> Roof Plate 14 (4 pieces)</p> 	
<p>P0130000699</p>	<p>P0130000799</p>	<p>P0130001099</p>	<p>P0130001399</p>	<p>P0130001499</p>	

## HARDWARE

<b>AA</b> Self-tapping Bolt M5*25 (88+4 pieces)	<b>BB</b> Self-tapping Bolt M8*35 (32+2 pieces)	<b>CC</b> Self-tapping Bolt M10*65 (8+1 pieces)	<b>DD</b> Bolt M6*20 (164+8 pieces)	<b>EE</b> Bolt M6*45 (14+1 pieces)	<b>FF</b> Bolt M8*45 (24+2 pieces)
					
H0008008098	H0008008099	H0008008100	H0008008036	H0008008016	H0008008191
<b>GG</b> Bolt M10*160 (8+1 pieces)	<b>HH</b> Anti-slip Screw Nut M10 (8+1 pieces)	<b>JJ</b> M8 Ball nut (24+2 pieces)	<b>KK</b> M6 Flat washer (202+10 pieces)	<b>LL</b> M8 Flat washer (80+4 pieces)	<b>MM</b> M10 Flat washer (24+2 pieces)
					
H0008008140	H0008008126	H0008008192	H0008008056	H0008008057	H0008008058
<b>NN</b> M6 Sealant Washer (12+1 pieces)	<b>PP</b> Double Open End Wrench M8/M10 (2 pieces)	<b>QQ</b> Wrench M6 (2 pieces)	<b>RR</b> M6 Allen Key (2 pieces)	<b>SS</b> M8 Allen Key (2 pieces)	<b>TT</b> Concrete Anchor M6*60 (8 pieces)
					
H0008008060	H0008008190	H0008008011	H0008008133	H0008008129	H0008008095
<b>UU</b> Bolt M6*15 (24+2 pieces)	<b>VV</b> Plastic Clip (12+2 pieces)				
					
H0008008001	H0008008071				

### IMPORTANT:

This instruction manual contains important information necessary for the proper assembly and safe use of the product.

Read and follow all warnings and instructions before assembling and using the product.

Follow all warnings and instructions when using the product.

Keep this manual for future reference.

Installer/Assembler: leave these instructions with the consumer.

### SAFETY ALERT KEY

#### DANGER

Indicates a hazardous situation that, if not avoided, will result in death or serious injury.

#### WARNING

Indicates a hazardous situation that, if not avoided, could result in death or serious injury.

#### CAUTION

Indicates a hazardous situation that, if not avoided, could result in minor or moderate injury.

#### NOTICE

Indicates information considered important, but not hazard-related (e.g.messages related to property damage).

# ASSEMBLY INSTRUCTIONS

•Please carefully unpack each of the components and hardware. check the components against the parts list and make sure there are no missing parts. lay pieces on cardboard or a soft mat to help protect the pieces from scratches.

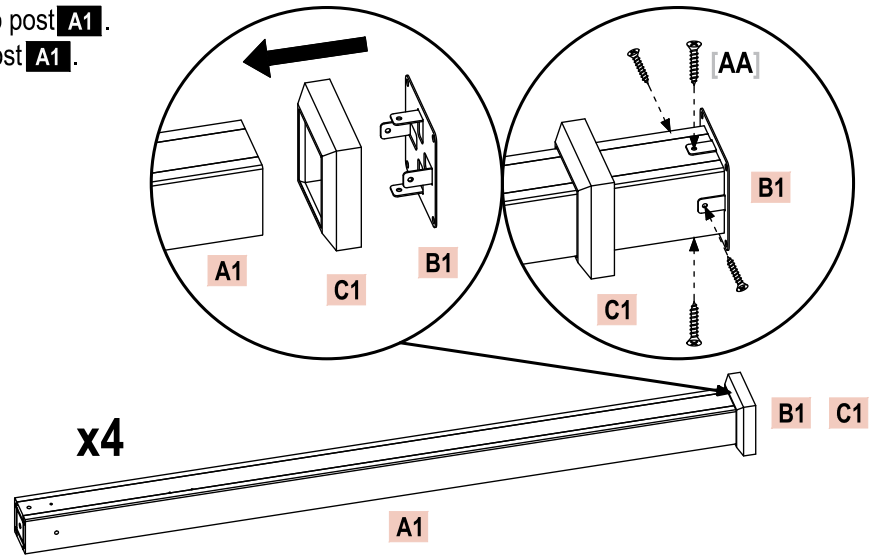
**⚠ CAUTION**

Watch for sharp edges when handling the pieces, wear gloves to avoid injury.

- For ease of assembly, it is recommended to have 3 or more people and allow enough time to completely finish the assembly. assembly can take 6-8 hours. a step-ladder is required for assembly (not included).
- Follow step by step instructions, and follow all safety warnings provided with your tools.
- DO NOT tighten screws until all the screws and washers are properly installed. Tighten screws securely, do not over tighten.
- Gazebo should not be used in inclement weather and high winds.

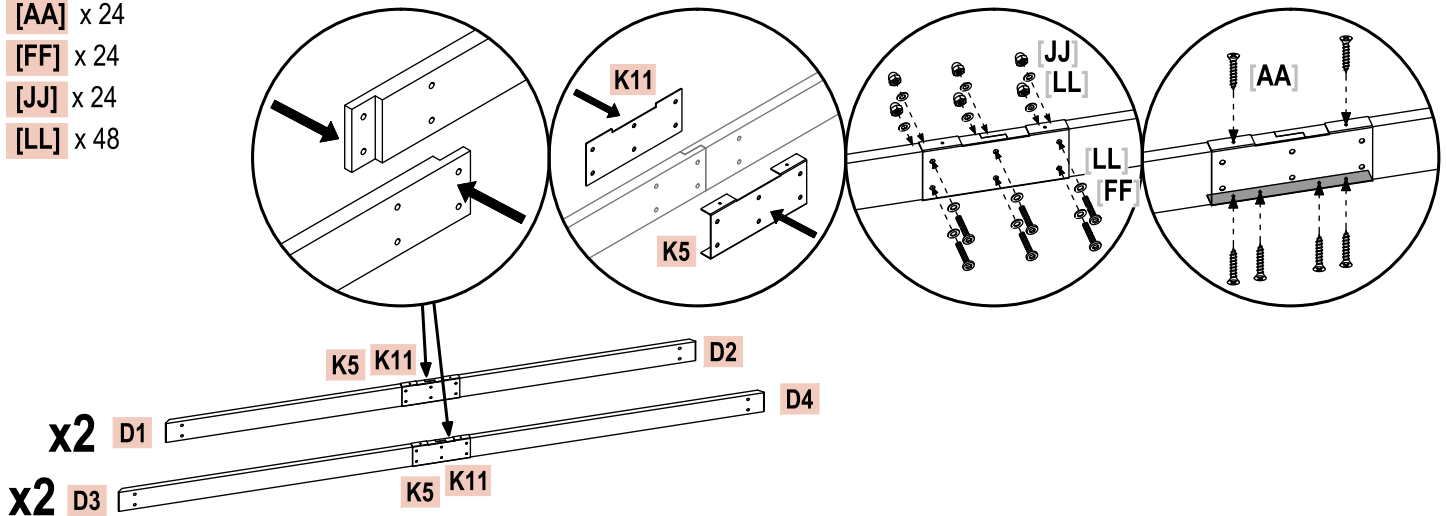
**STEP 01** Slide foot base **B1** and foot cover **C1** onto post **A1**. Use four (4) **[AA]** bolts to attach foot base **B1** to post **A1**. Repeat with the other three (3) posts **A1**.

**[AA]** x 16

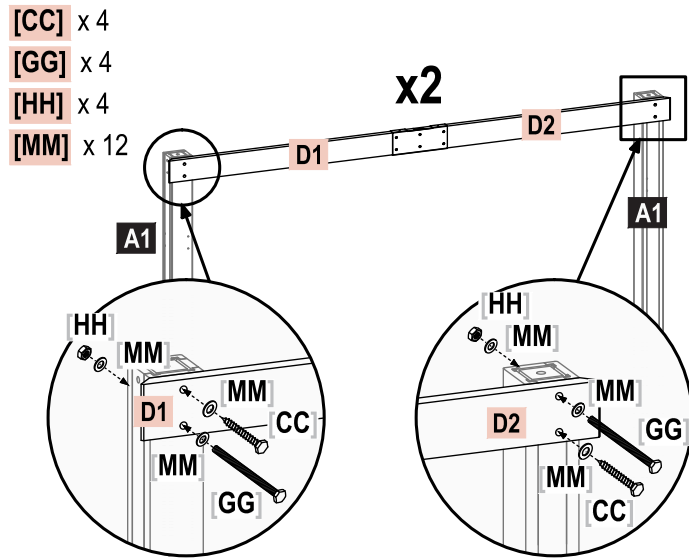


**STEP 02** Attach cross beam **D1** and **D2** together using connector **K5** and **K11**. Secure with six (6) **[FF]** bolts, twelve (12) **[LL]** flat washers and six (6) **[JJ]** ball nuts on the sides. Use six (6) **[AA]** bolts secure both the top and bottom of the connection. Repeat to make a second assembly. Repeat to make another two assemblies with cross beam **D3** / **D4** and connector **K5** / **K11**.

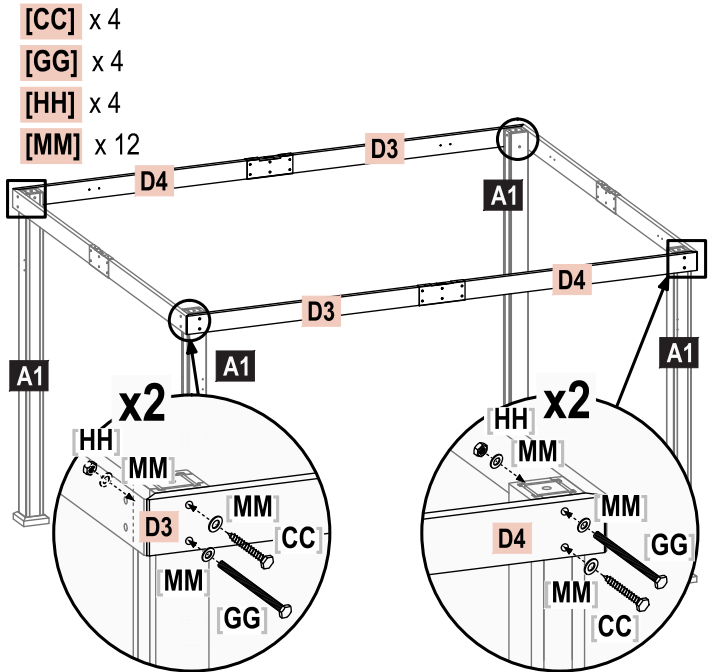
**[AA]** x 24  
**[FF]** x 24  
**[JJ]** x 24  
**[LL]** x 48



**STEP 03** Attach the cross beam assembly **D1** **D2** to left **A1** post using one (1) **[CC]** bolt and **[MM]** washer in the top hole, and one (1) **[GG]** bolt, two (2) **[MM]** washers, and one (1) **[HH]** nut in the bottom hole. Attach the cross beam assembly to right **A1** post using one (1) **[GG]** bolt, two (2) **[MM]** washers, and one (1) **[HH]** nut in the top hole, and one (1) **[CC]** bolt and **[MM]** washer in the bottom hole. Repeat to make a second assembly.

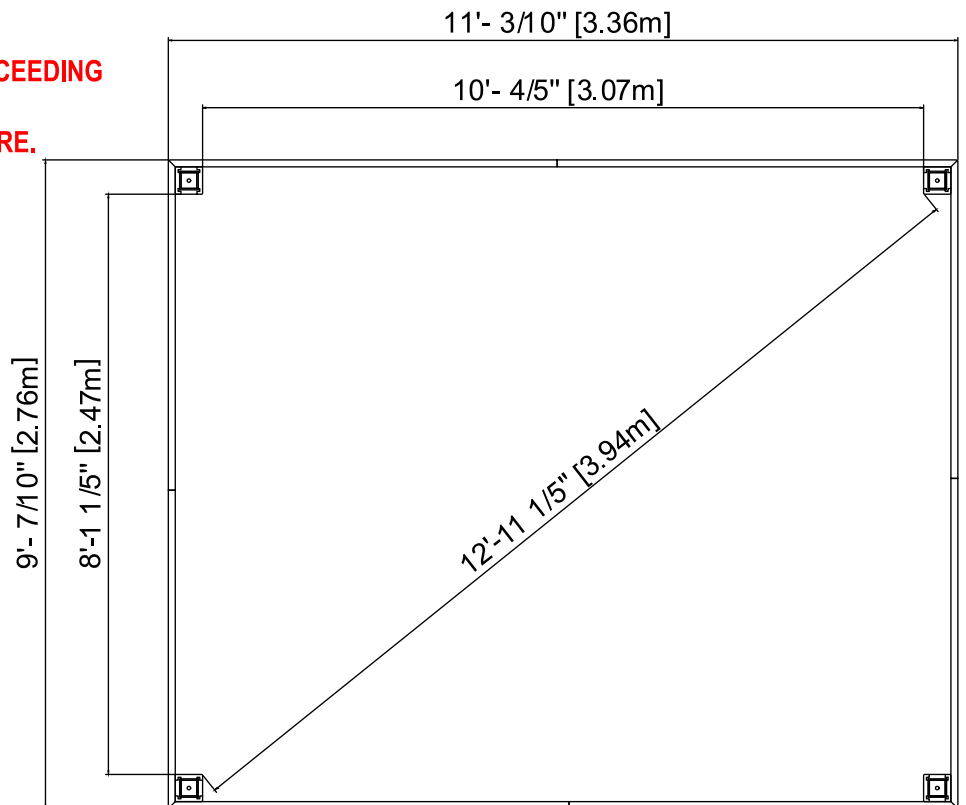


**STEP 04** Attach the cross beam assembly **D3** **D4** to left **A1** post using one (1) **[CC]** bolt and **[MM]** washer in the top hole, and one (1) **[GG]** bolt, two (2) **[MM]** washers, and one (1) **[HH]** nut in the bottom hole. Attach the cross beam assembly to right **A1** post using one (1) **[GG]** bolt, two (2) **[MM]** washers, and one (1) **[HH]** nut in the top hole, and one (1) **[CC]** bolt and **[MM]** washer in the bottom hole. Repeat to make a second assembly.



**STEP 05**

**CRITICAL: SQUARE UNIT BEFORE PROCEEDING TO NEXT STEPS. ONCE SQUARE, TIGHTEN ALL HARDWARE.**

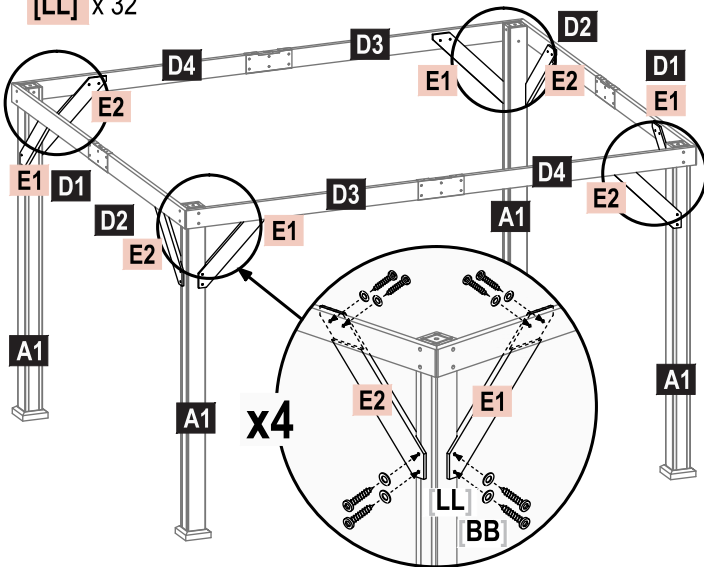


**STEP 06** Use four (4) [BB] bolts and four (4) [LL] flat washers to attach one (1) support bracket [E1] to cross beam and post on left corner of each side. Repeat with the other three (3) support brackets [E1].

Use four (4) [BB] bolts and four (4) [LL] flat washers to attach one (1) support bracket [E2] to cross beam and post on right corner of each side. Repeat with the other three (3) support brackets [E2].

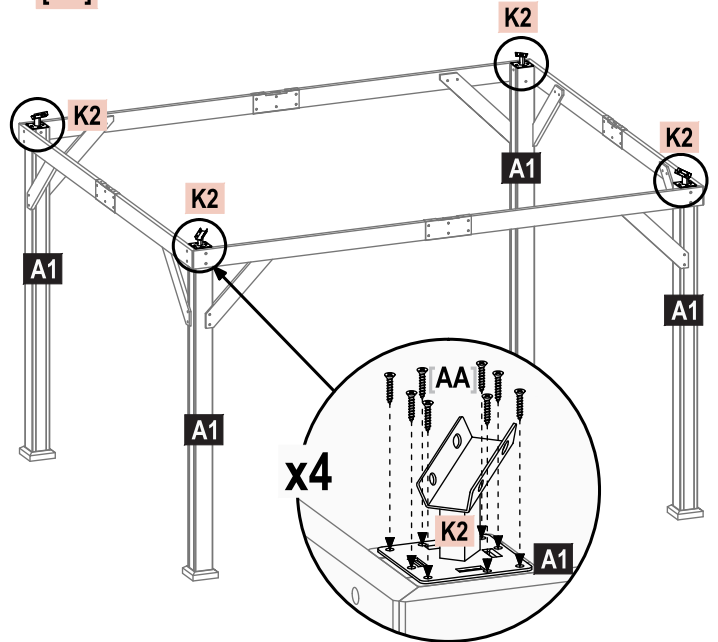
[BB] x 32

[LL] x 32



**STEP 07** Use eight (8) [AA] bolts to attach one (1) connector [K2] to post [A1]. Repeat with the other three (3) connector [K2].

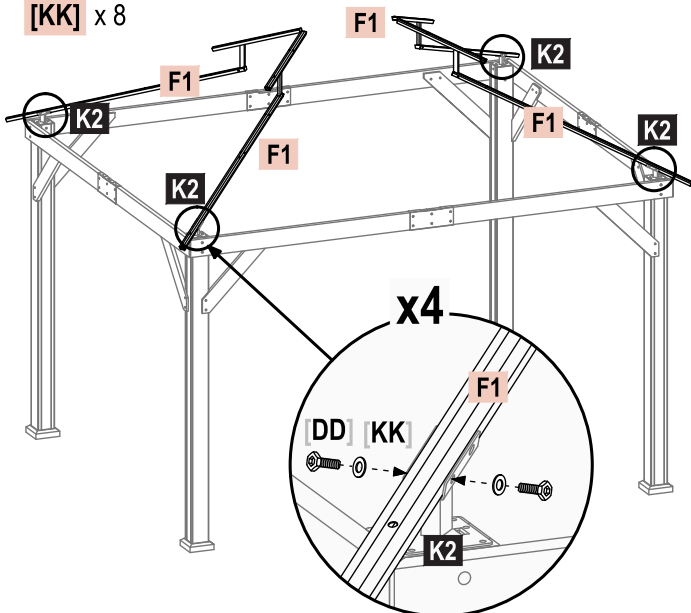
[AA] x 32



**STEP 08** Use two (2) [DD] bolts and two (2) [KK] flat washers to attach roof rib [F1] to connector [K2]. Repeat with the other three (3) roof rib [F1].

[DD] x 8

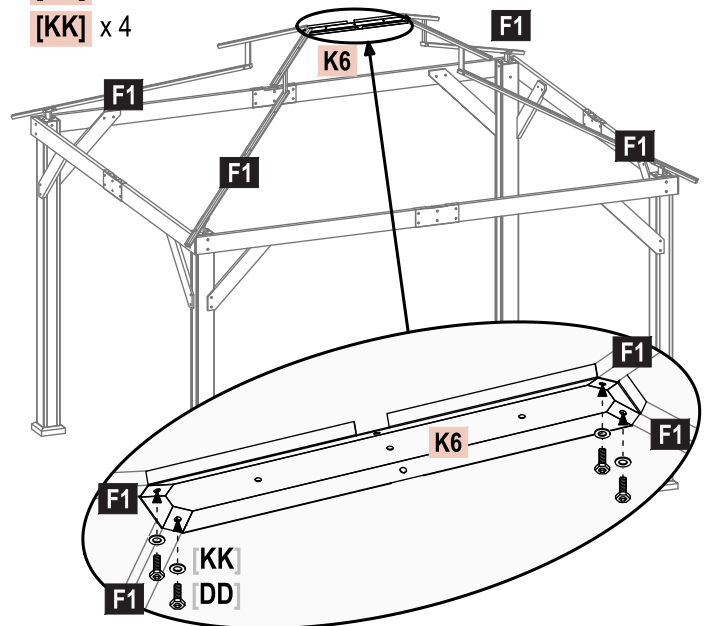
[KK] x 8



**STEP 09** Use one (1) [DD] bolt and one (1) [KK] flat washer to attach each roof rib [F1] to connector [K6] at each corner.

[DD] x 4

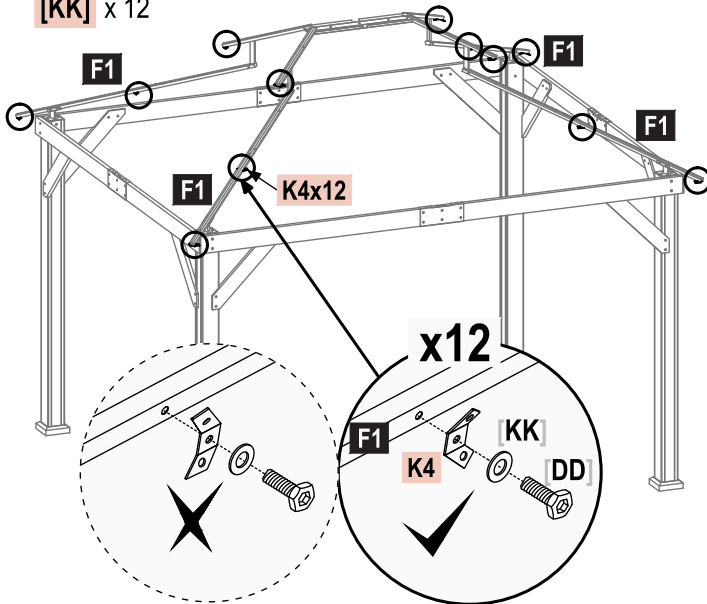
[KK] x 4



**STEP 10** Use one (1) [DD] bolt and one (1) [KK] flat washer to attach one (1) connector [K4] to roof rib [F1]. Repeat with the other two (2) connectors [K4] on one [F1]. Repeat with the other three (3) roof ribs [F1]. Make sure the connectors face upward as shown.

[DD] x 12

[KK] x 12

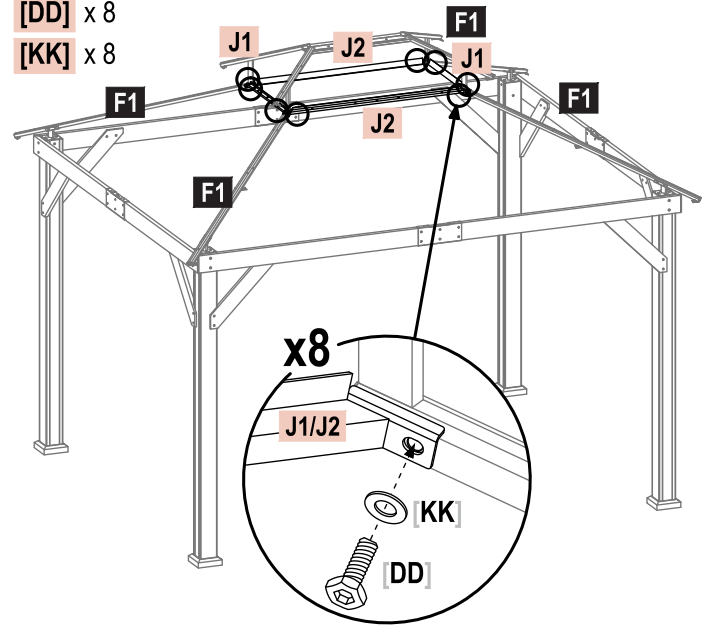


**STEP 11** Use one (1) [DD] bolt and one (1) [KK] flat washer to attach each end of roof support [J1] to roof rib [F1]. Repeat with the other [J1].

Use one (1) [DD] bolt and one (1) [KK] flat washer to attach each end of roof support [J2] to roof rib [F1]. Repeat with the other [J2].

[DD] x 8

[KK] x 8

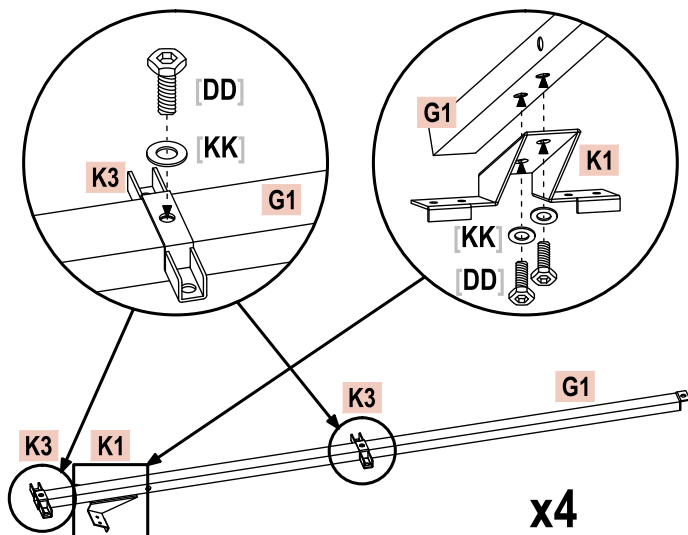


**STEP 12** Use one (1) [DD] bolt and one (1) [KK] flat washer to attach one (1) connector [K3] to middle cross beam [G1]. Repeat with the other connector [K3].

Use two (2) [DD] bolts and two (2) [KK] flat washers to attach one (1) connector [K1] to the end of middle cross beam [G1]. Repeat to make another three (3) assemblies.

[DD] x 16

[KK] x 16



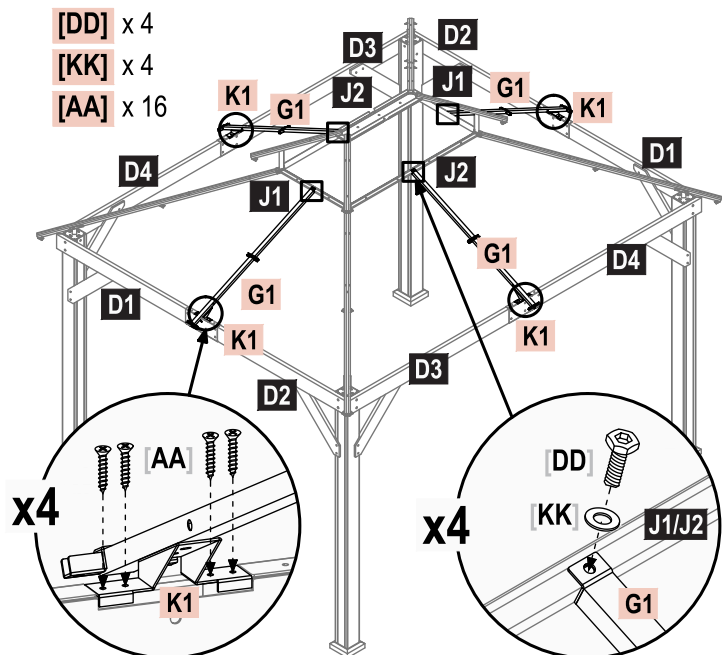
**STEP 13** Use one (1) [DD] bolt and one (1) [KK] flat washer to attach upper end of middle cross beam [G1] to roof support [J1 / J2]. Use four (4) [AA] bolts to attach connector [K1] on the other end of [G1] to cross beams.

Repeat with the other three (3) middle cross beams [G1].

[DD] x 4

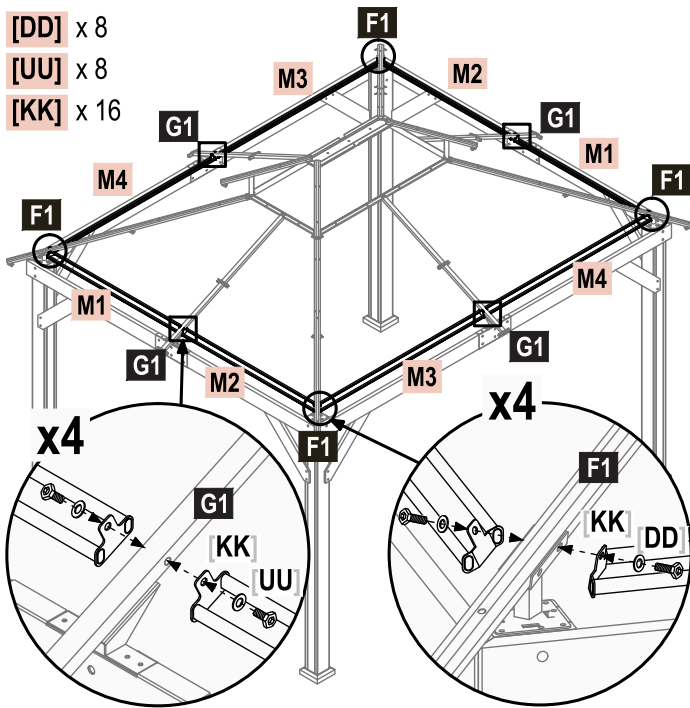
[KK] x 4

[AA] x 16



**STEP 14** Use one (1) [DD] bolt, one (1) [UU] bolt and two (2) [KK] flat washers to attach one (1) mosquito net rod [M1] to middle cross beam [G1] and roof rib [F1]. Repeat with the other [M1], two (2) [M2], two (2) [M3] and two (2) [M4].

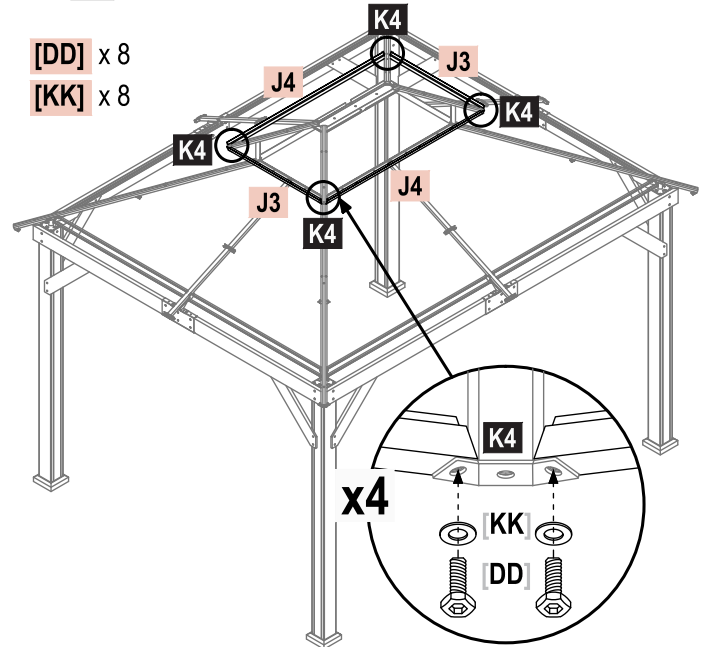
- [DD] x 8
- [UU] x 8
- [KK] x 16



**STEP 15** Use two (2) [DD] bolts and two (2) [KK] flat washers to attach one (1) roof support [J3] to connector [K4]. Repeat with the other [J3].

Use two (2) [DD] bolts and two (2) [KK] flat washers to attach one (1) roof support [J4] to connector [K4]. Repeat with the other [J4].

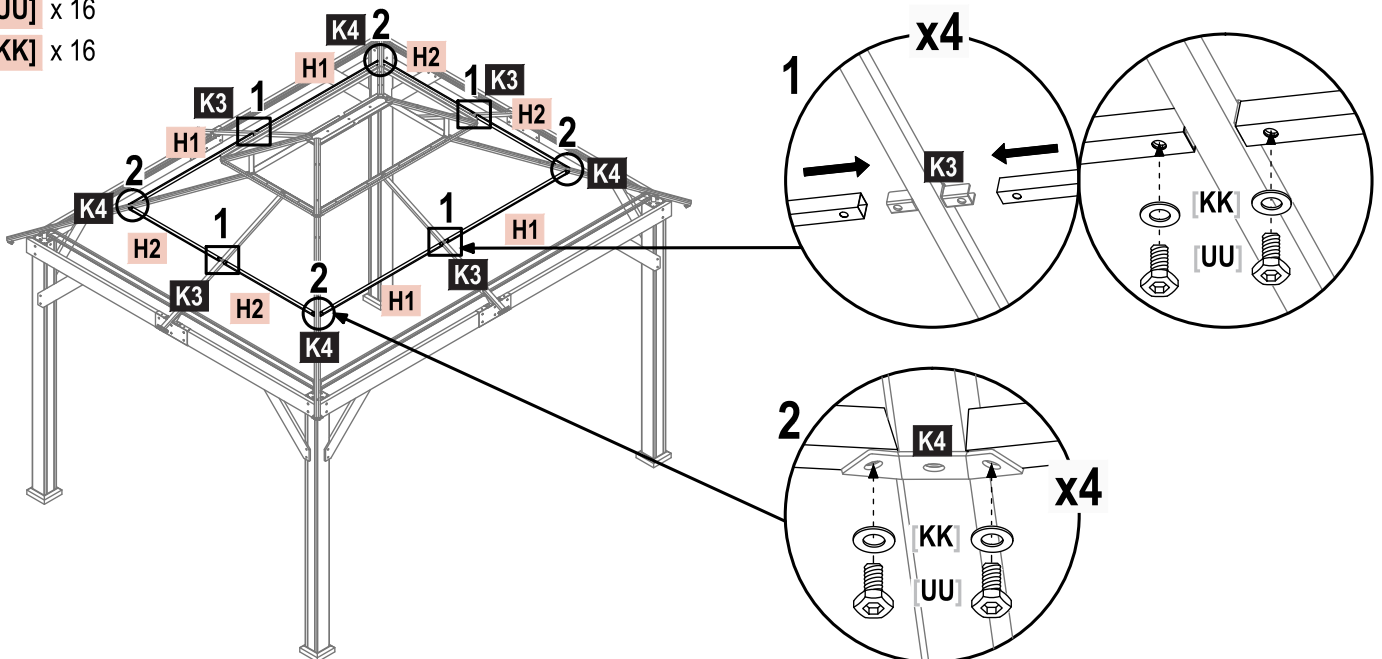
- [DD] x 8
- [KK] x 8



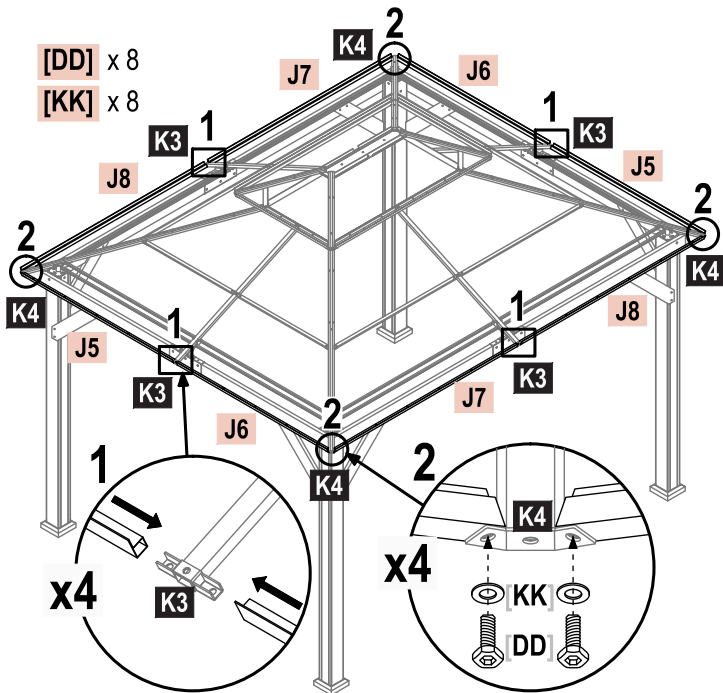
**STEP 16** Slide top beam [H1] to connector [K3] on middle cross beam [G1], use two (2) [UU] bolts and two (2) [KK] flat washers to attach one (1) [H1] to connector [K3] and [K4]. Repeat with the other three (3) [H1].

Slide top beam [H2] to connector [K3] on middle cross beam [G1], use two (2) [UU] bolts and two (2) [KK] flat washers to attach one (1) [H2] to connector [K3] and [K4]. Repeat with the other three (3) [H2].

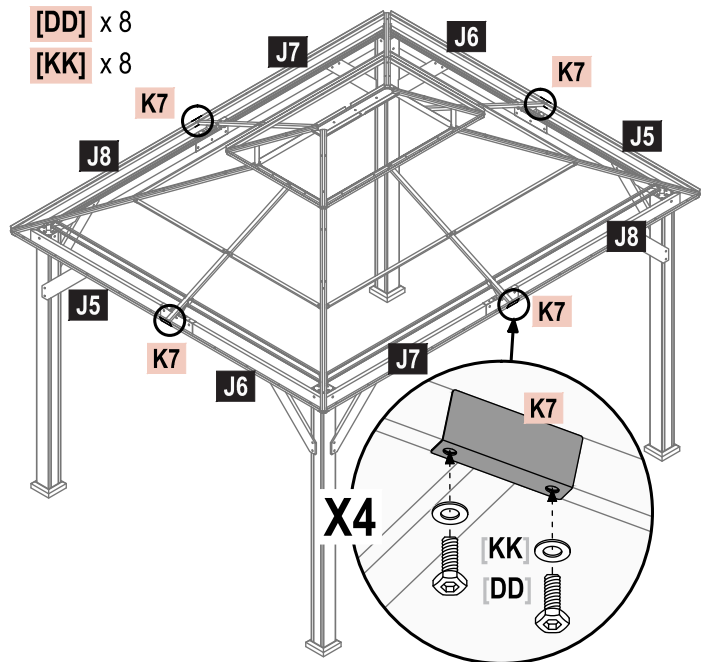
- [UU] x 16
- [KK] x 16



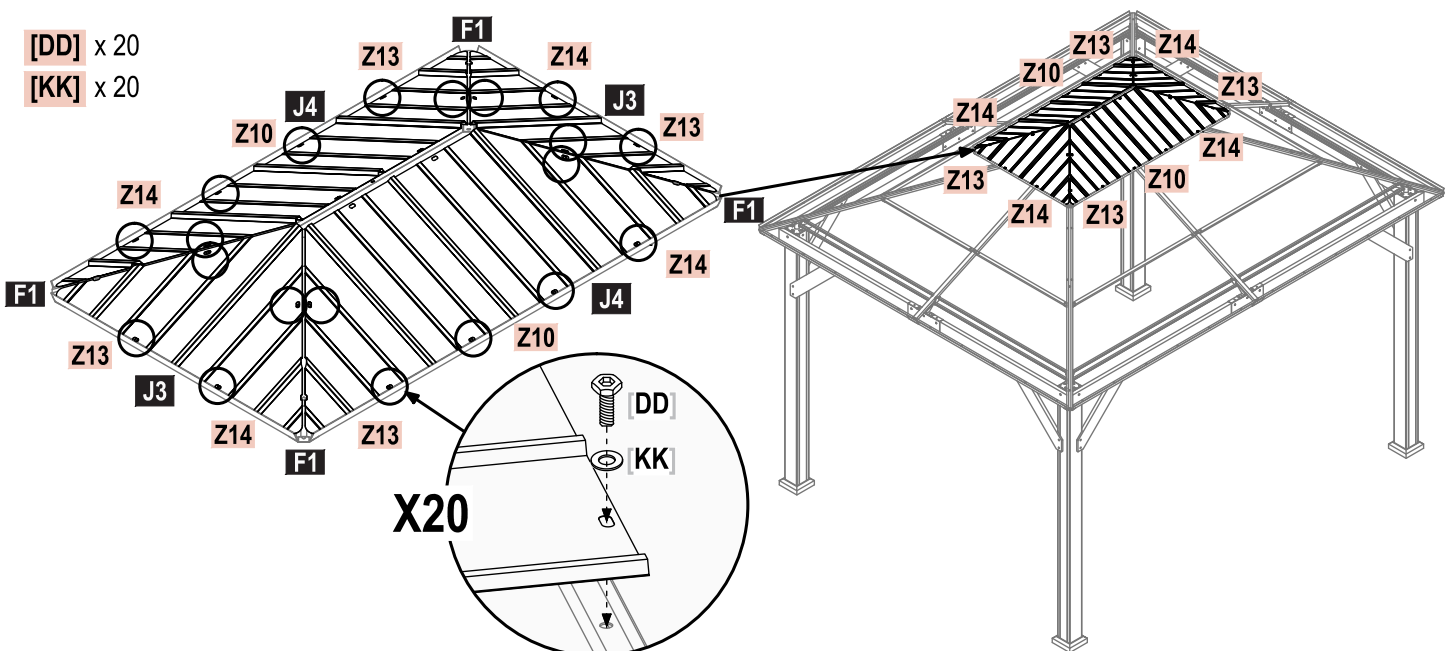
**STEP 17** Slide roof support **J7** onto connector **K3** on middle cross beam **G1**. Use one (1) **DD** bolt and one (1) **KK** flat washer to attach one end of **J7** to connector **K4** on roof ribs. Repeat with the other **J7**, two (2) **J8**, two (2) **J5**, two (2) **J6**.



**STEP 18** Use two (2) **DD** bolts and two (2) **KK** flat washers to attach one (1) connector **K7** to roof border assembly **J5 J6**. Repeat with the other three (3) connector **K7** to roof border assembly **J5 J6** and roof border assembly **J7 J8**.

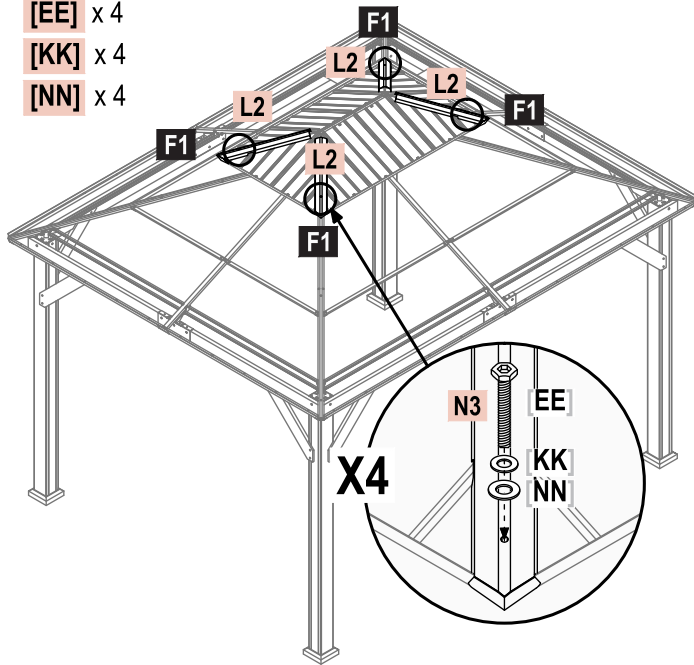


**STEP 19** DO NOT tighten the bolts completely until all the bolts and washers are properly installed. Overlap the edges of the adjacent roof plates together. Use one (1) **DD** bolt and one (1) **KK** flat washer to attach each hole of roof plates **Z10**, **Z13**, **Z14** to the top frame.



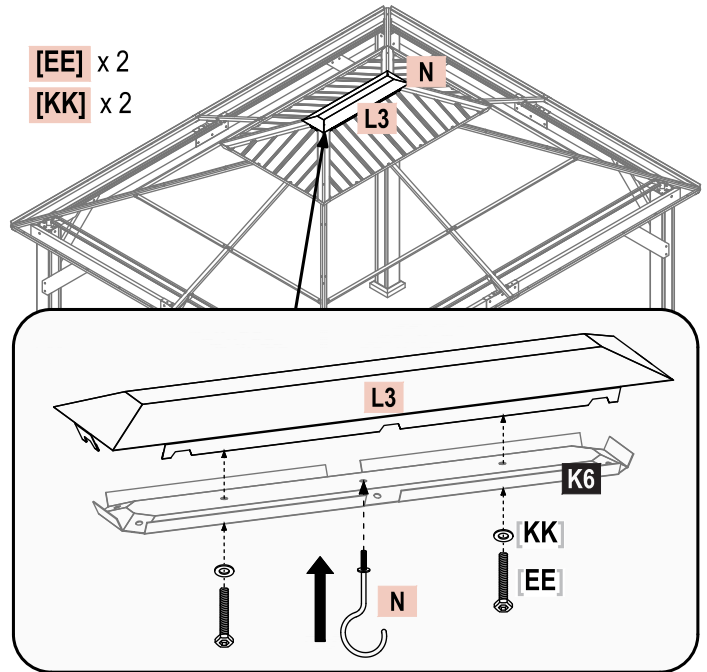
**STEP 20** Use one (1) [EE], one (1) [KK] flat washers and one (1) [NN] flat washer to attach one (1) roof rib cover [L2] to the top roof. Repeat with the other three (3) roof rib cover [L2].

- [EE] x 4
- [KK] x 4
- [NN] x 4



**STEP 21** Use two (2) [EE], two (2) [KK] flat washers to and one (1) hook [N] to attach roof rib cover [L3] to connector [K6].

- [EE] x 2
- [KK] x 2



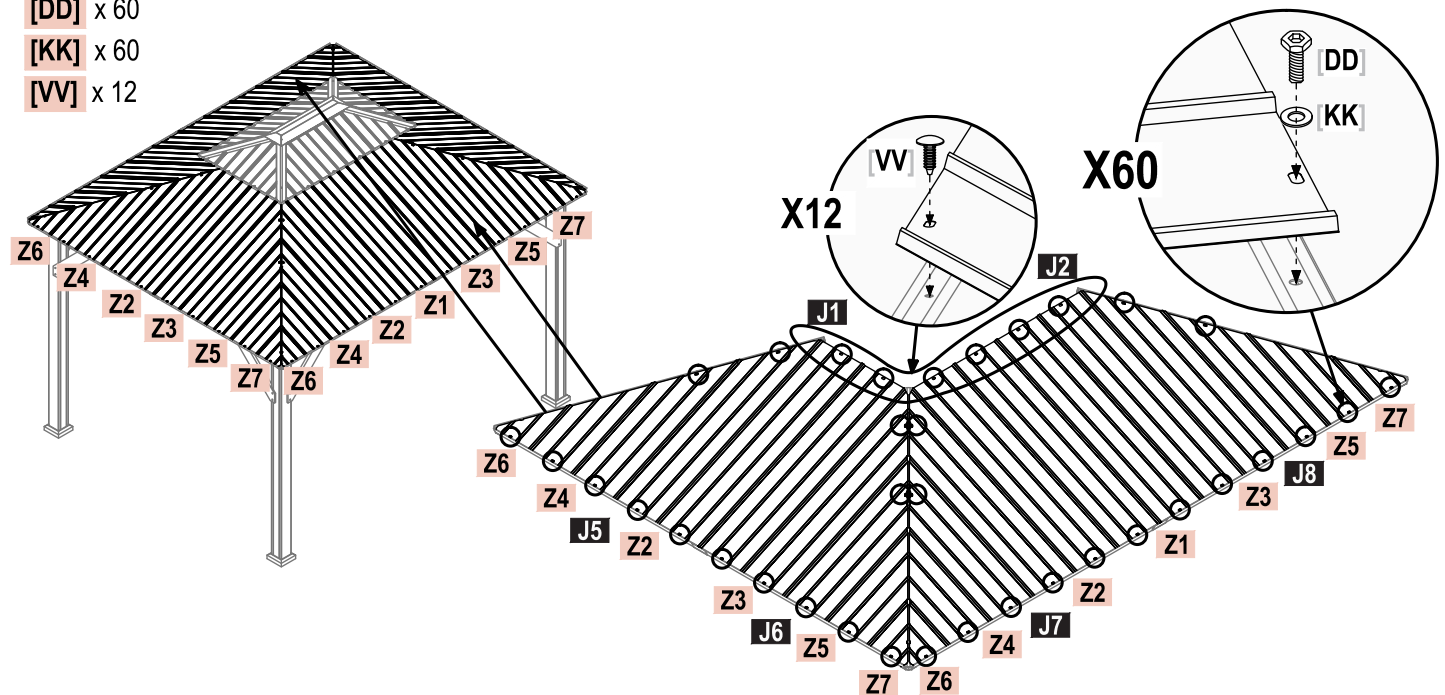
**STEP 22** DO NOT tighten the bolts completely until all the bolts and washers are properly installed.

Overlap the edges of the adjacent roof plates together.

Use one (1) [VV] bolt to attach each hole on upper end of roof plates [Z1], [Z2], [Z3] to the frame.

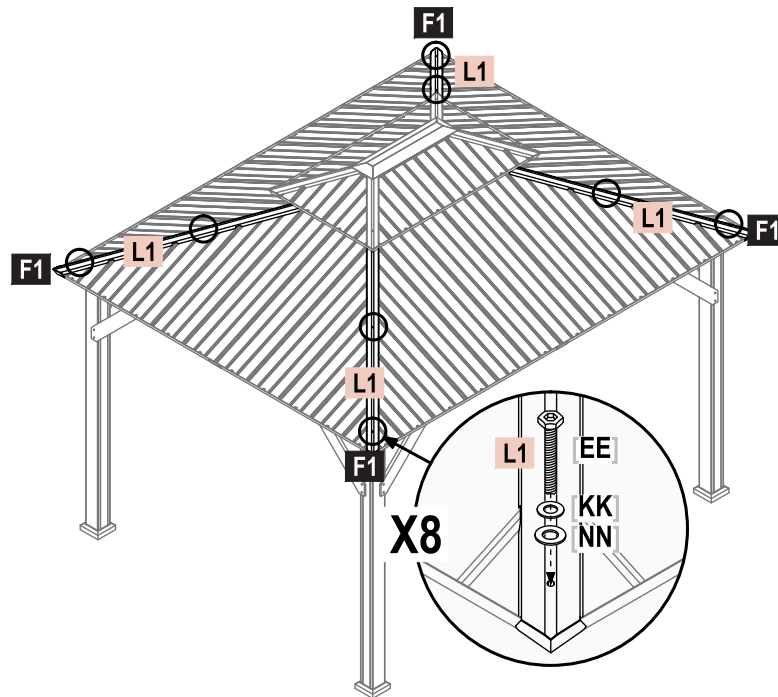
Use one (1) [DD] bolt and one (1) [KK] flat washer to attach each hole on lower end of roof plates [Z1], [Z2], [Z3], [Z4], [Z5], [Z6], [Z7] to the frame.

- [DD] x 60
- [KK] x 60
- [VV] x 12



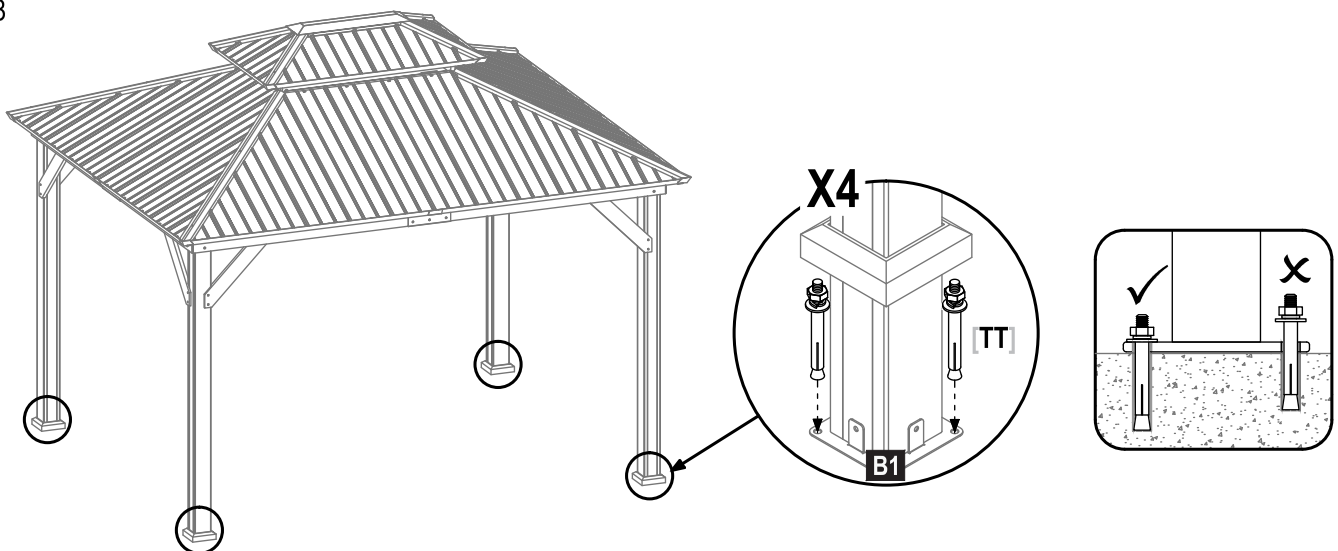
**STEP 23** Use two (2) [EE], two (2) [KK] flat washers and two (2) [NN] flat washers to attach one (1) roof rib cover [L1] to the roof. Repeat with the other three (3) roof rib cover [L1].

- [EE] x 8
- [KK] x 8
- [NN] x 8



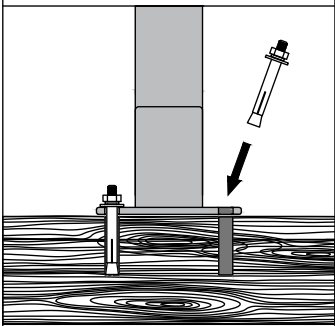
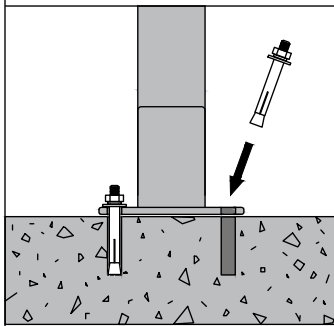


**STEP 24** Use two (2) [TT] expansion bolts to anchor each post foot base [B1]. please make sure the expansion bolts are fully anchored. We recommend using a 3/8 inch drill bit when installing the included expansion bolts.

- [TT] x 8



Outdoor Structure anchoring guide for anchoring gazebo to wood or concrete: If step 24, on page 12 in the assembly instructions is not properly completed, this will void the warranty.

**WARNING!** If your gazebo is not properly anchored, damage could occur. It is highly recommended for maximum safety that you mount and secure to wood or concrete footers. This is far better and safer than using ground stakes. The following are some examples of how to mount the structure to wood or concrete surfaces. Refer to local building codes or consider consulting a licensed contractor for assistance in the anchoring of this product.

WOOD	CONCRETE
	
<p>Anchors should be drilled into joists or reinforced blocking (not only deck boards).</p>  <p>Recommended Hardware: Expansion Bolt</p>	<p>Pre-drill holes for appropriately sized concrete anchors.</p>  <p>Recommended Hardware: Expansion Bolt</p>

If digging for foundation, please double check for possibility of any underground utilities such as gas, telephone, cable or sprinkler lines. Refer to your local building and city codes, ordinances, neighborhood covenants, or height restrictions regarding this type of structure for guidance on acceptable installation requirements.

**CAUTION**  
DO NOT climb or walk on roof for any reason.

- Our components are intended for privacy, decorative and ornamental use only.
- Product is NOT INTENDED for the following:
  - A safety barrier to prevent unsupervised access to pools, hot tubs, spas or ponds.
  - As load bearing support for a building, structure, heavy objects or swings.
  - Used in structures that trap wind, rain or snow that would create extra load on the product.
  - Accumulated snow must be removed from roof.
  - DO NOT climb or walk on roof for any reason.

### LIMITED WARRANTY

We warrants this product against defects in materials and workmanship for a period of one (1) year from the original date of purchase. To the extent any such defects occur, our products will send the appropriate replacement part(s) at no charge.

This warranty does not cover:

- Inspection costs or labor for replacement of any defective parts);
- Incidental or consequential damages;
- Cosmetic defects which DO NOT affect performance;
- Normal wear and tear;
- Damage due to vandalism; acts of nature, including but not limited to wind, storms, hail, floods;
- Improper assembly, installation, or use;
- Discoloration or fading of the finish as a result of exposure to chemicals, spills, pool or salt water
- Corrosion/ rust.

Your product has been designed for safety and quality.

Any modifications made to the original product could compromise its structural integrity or function, and could lead to product failure or personal injury. As such, modifying this product voids any and all warranties.

This product is warranted for RESIDENTIAL USE ONLY, and is not for commercial, contract or other non-residential purposes. Products disclaims all other representations and warranties of any kind, express or implied.

The warranty applies to the original purchaser and is non-transferable. It does not apply to purchases of display models, or when the product is sold on clearance or "as is".

We makes no warranty whatsoever in respect to accessories or parts not supplied with it. This warranty shall apply only within the boundaries of the United States of America and Canada. This warranty gives the original purchaser specific rights, and the original purchaser may also have other rights, which vary from state to state.

